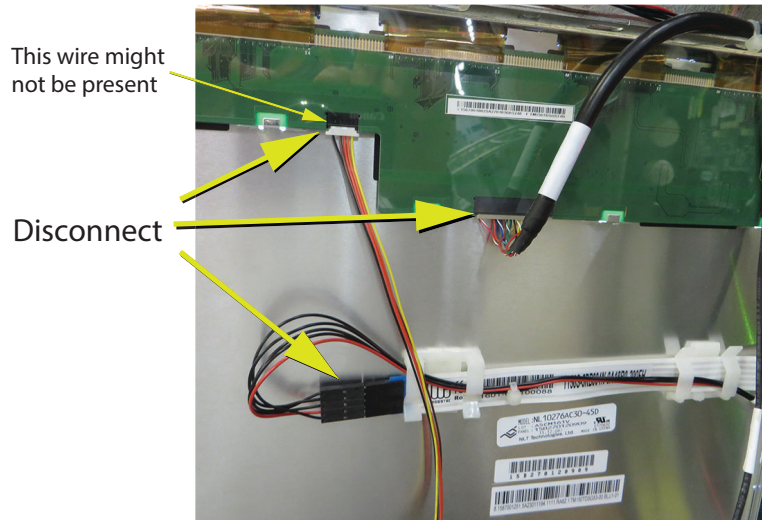


## RPL-MD-1233 Installation Instructions

- Instructions for TX3-TOUCH-S15-D and TX3-TOUCH-F15-D: this page
- Instructions for TX3-TOUCH-S15-C and TX3-TOUCH-F15-C: page 4
- Instructions for TX3-TOUCH-S15-B and TX3-TOUCH-F15-B: page 7
- Instructions for TX3-TOUCH-S15-A and TX3-TOUCH-F15-A: page 10

### Instructions for TX3-TOUCH-S15-D and TX3-TOUCH-F15-D

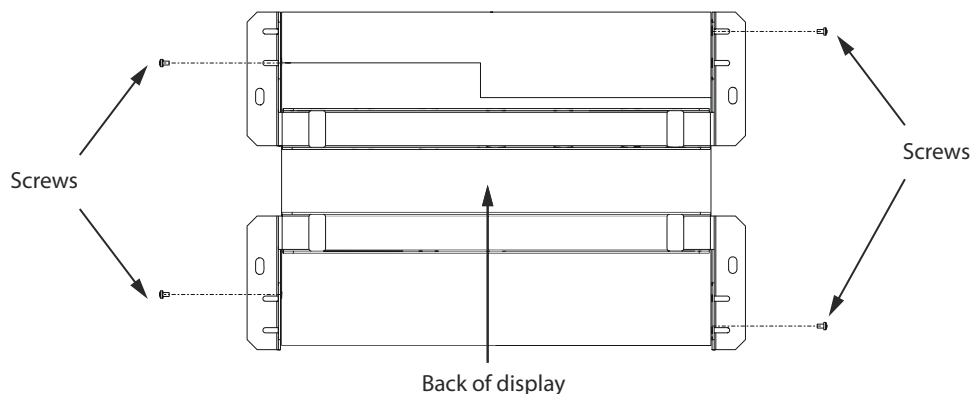
1. Disconnect power from the Touch Screen.
2. Disconnect the wires connected to the display.



**Figure 1** Disconnect the wires from the old display

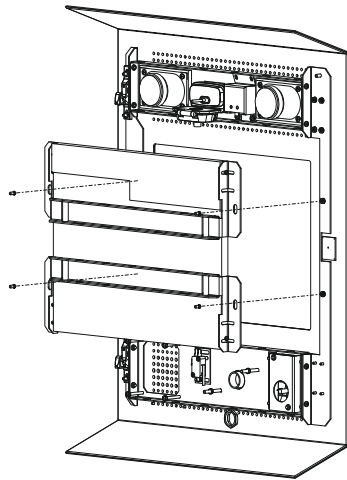
3. Unscrew the four screws holding the display to the brackets, and remove the display from the back. See Figure 2.
4. Use the same 4 screws to attach the bracket or brackets to the new display.

**NOTE:** Use only these screws to attach the brackets to the display. Using different screws might damage the display.



**Figure 2** Display and brackets

- Place the new display in the door from the back and attach the display with the 4 screws you removed in step 3.

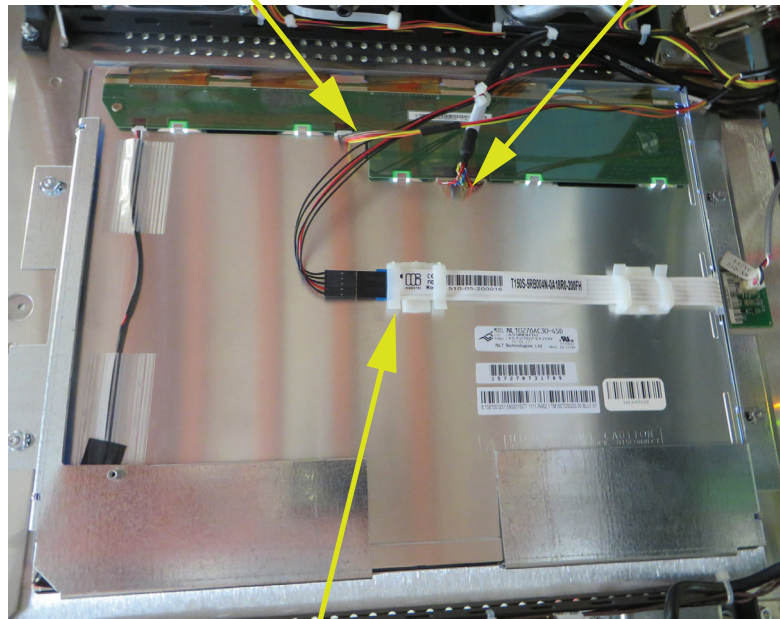


**Figure 3 Install the display in the door**

- Connect the cables to the new display as shown below.

Included cable:  
CN3 on MD-1346

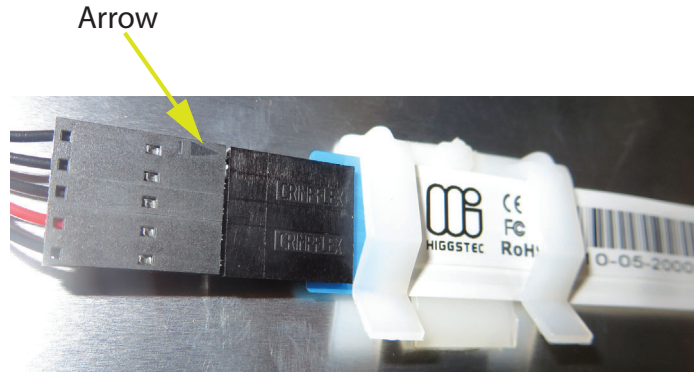
WX-055: CN8 on  
MD-1346



WX-057: CN23 on  
MD-1346

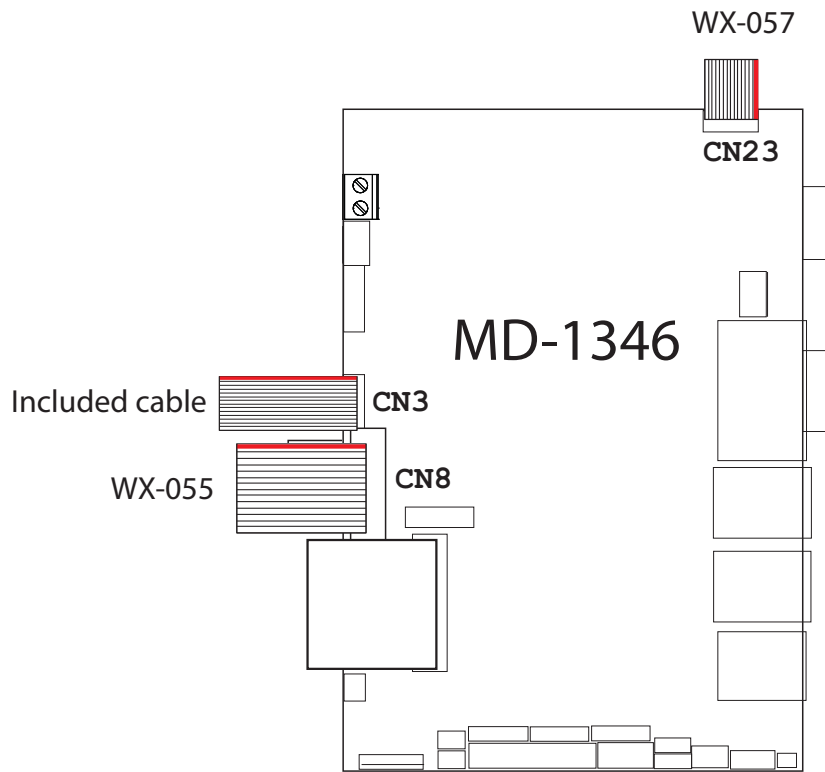
**Figure 4 Connect cables to the new display**

**Attention:** The bottom cable must be connected so that the arrow is on the outside.



**Figure 5 Make sure that the arrow is visible**

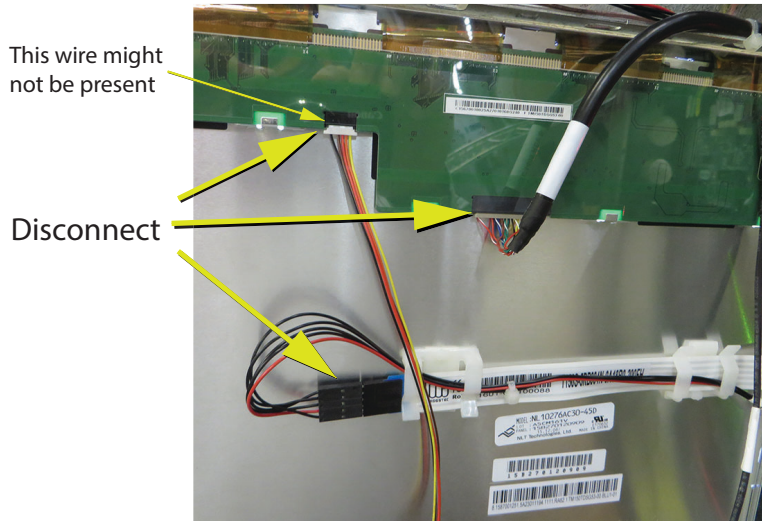
7. Disconnect the cable from CN3 on the PC sub compact board and connect the included cable in its place.



**Figure 6 Connect included cable to PC sub compact board**

## Instructions for TX3-TOUCH-S15-C and TX3-TOUCH-F15-C

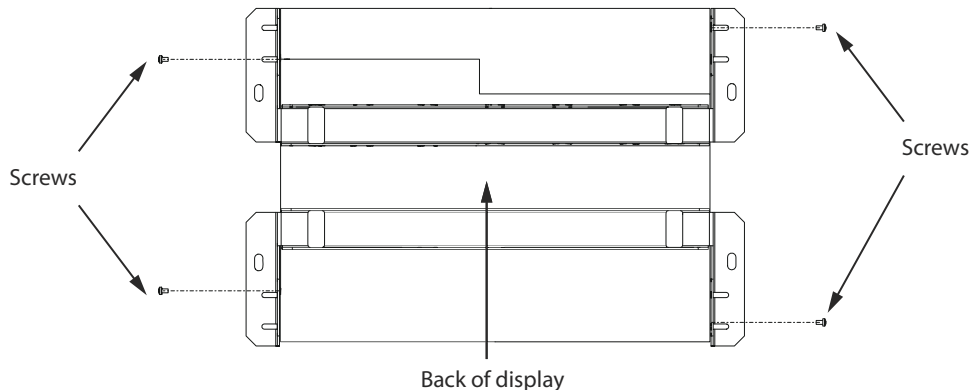
1. Disconnect power from the Touch Screen.
2. Disconnect the wires connected to the display.



**Figure 7 Disconnect the wires from the old display**

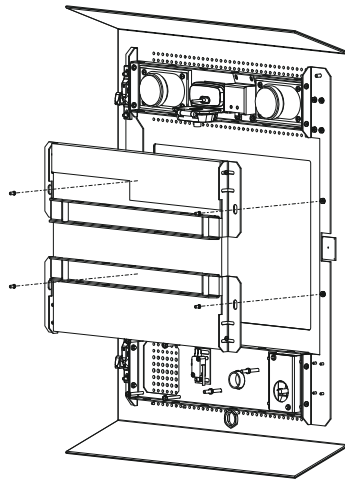
3. Unscrew the four screws holding the display to the brackets, and remove the display from the back. See Figure 8.
4. Use the same 4 screws to attach the bracket or brackets to the new display.

**NOTE:** Use only these screws to attach the brackets to the display. Using different screws might damage the display.



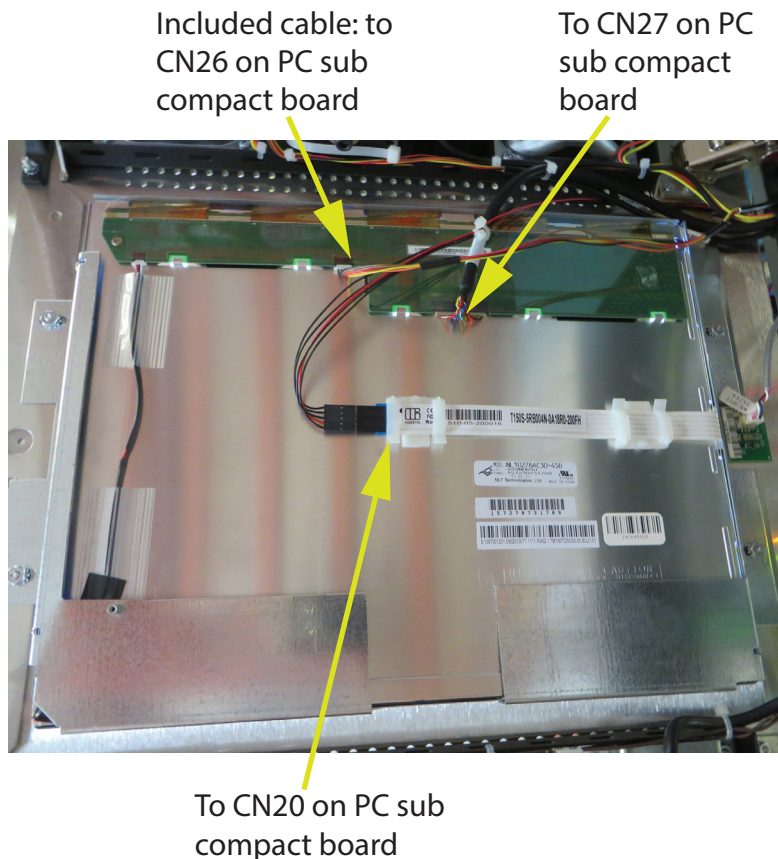
**Figure 8 Display and brackets**

5. Place the new display in the door from the back and attach the display with the 4 screws you removed in step 3.



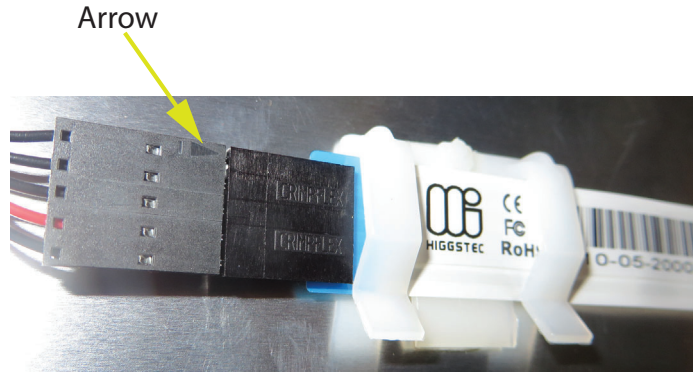
**Figure 9 Install the display in the door**

6. Connect the cables to the new display as shown below.



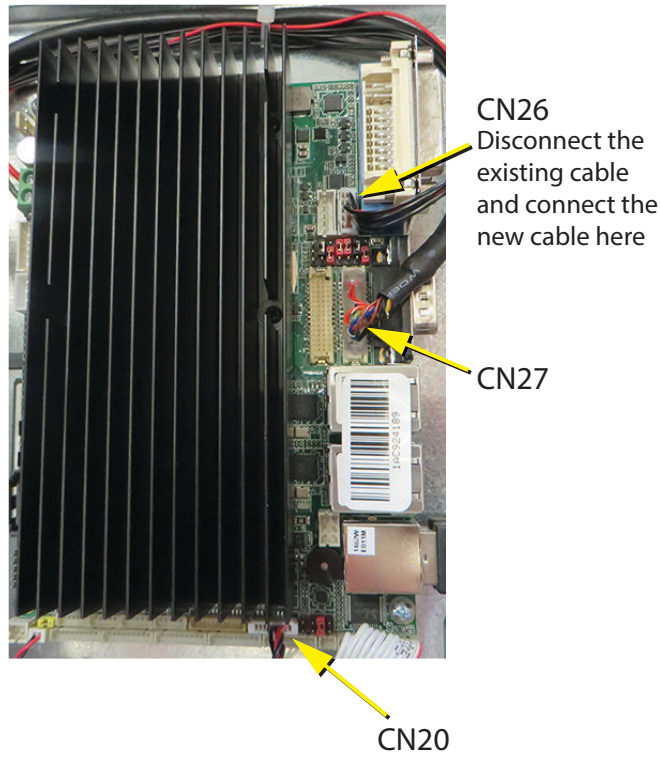
**Figure 10 Connect cables to the new display**

**Attention:** The bottom cable must be connected so that the arrow is on the outside.



**Figure 11** Make sure that the arrow is visible

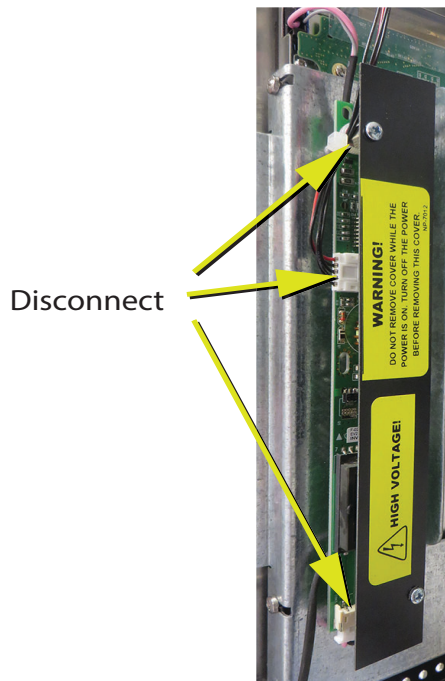
7. Disconnect the cable from CN26 on the PC sub compact board and connect the included cable in its place.



**Figure 12** Connect included cable to PC sub compact board

## Instructions for TX3-TOUCH-S15-B and TX3-TOUCH-F15-B

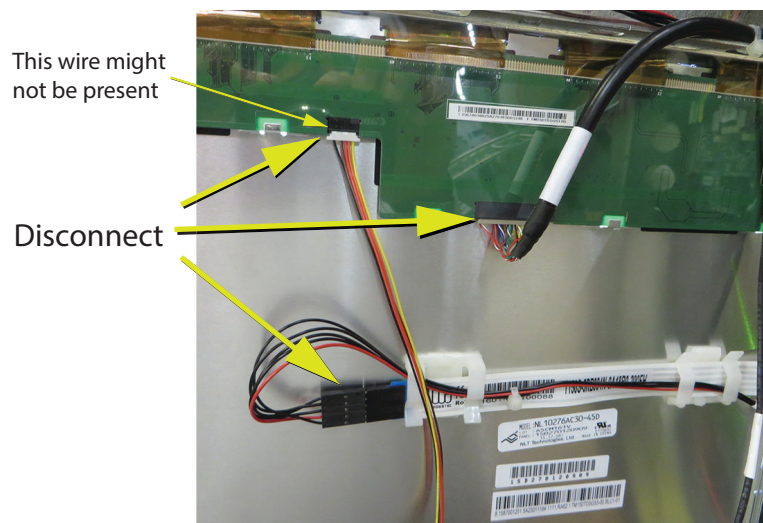
1. Disconnect power from the Touch Screen.
2. If the circuit board shown below is present, then disconnect any wires connected to it, and remove the warning panel and the circuit board.



**Figure 13** Disconnect and remove the circuit board if it is present

3. Disconnect the wires connected to the display.

**NOTE:** Depending on the model, one of the wires might not be present, as shown below.

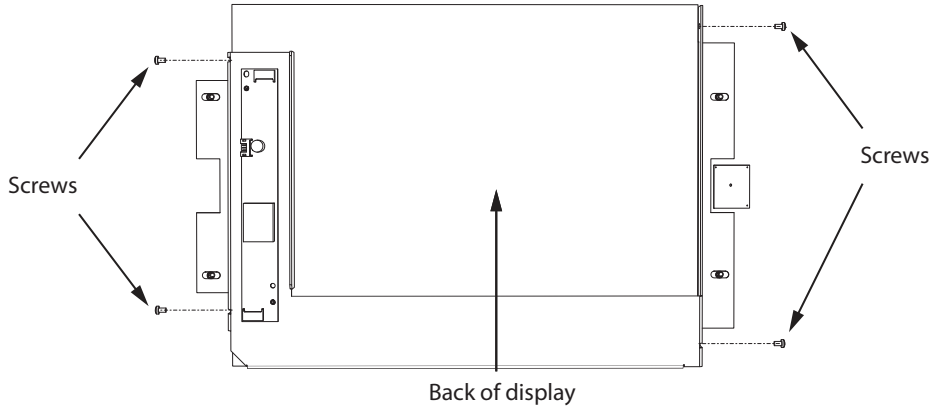


**Figure 14** Disconnect the wires from the old display

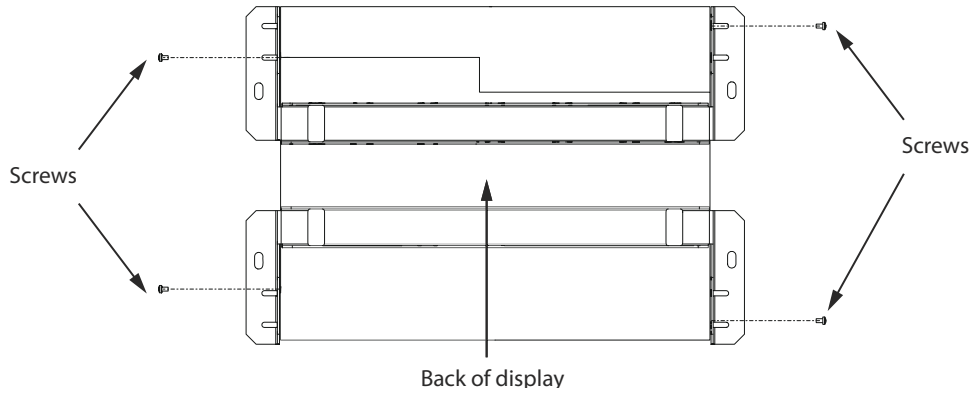
**NOTE:** Depending on the model, the unit has one bracket or two brackets holding the display.

4. Unscrew the four screws holding the display to the bracket or brackets, and remove the display from the back. See Figures 15 and 16 on the next page.
5. Use the same 4 screws to attach the bracket or brackets to the new display.

**NOTE:** Use only these screws to attach the brackets to the display. Using different screws might damage the display.

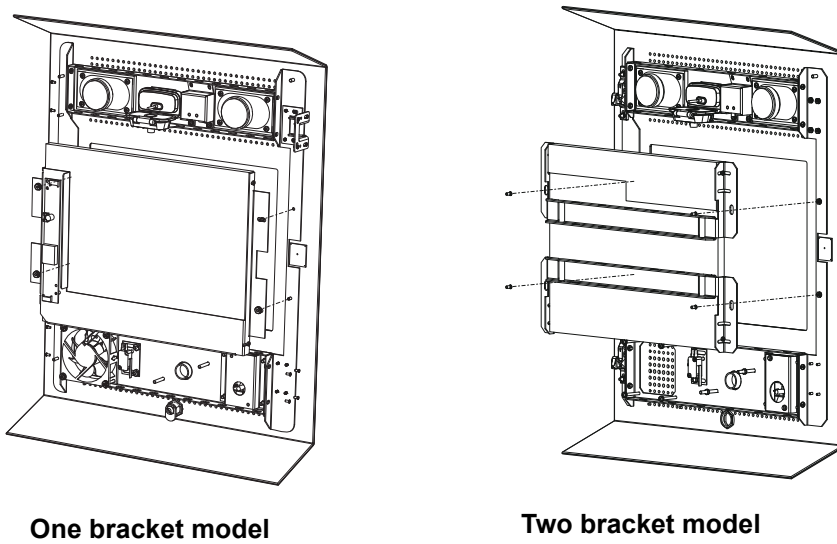


**Figure 15 One bracket model**



**Figure 16 Two bracket model**

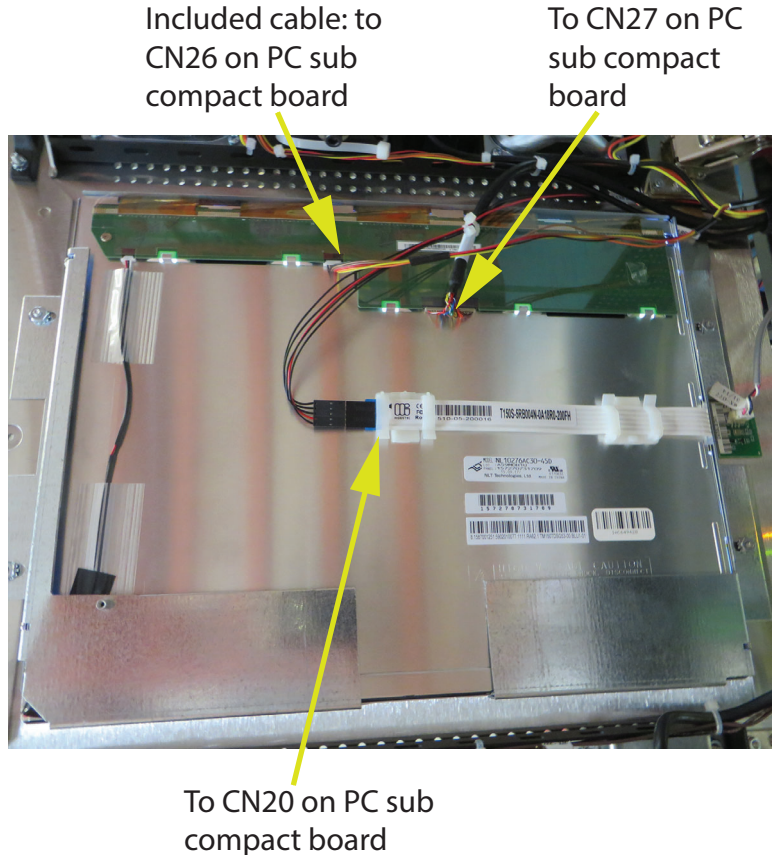
- Place the new display in the door from the back and attach the display with the 4 screws you removed in step 3.



**Figure 17 Install the display in the door**

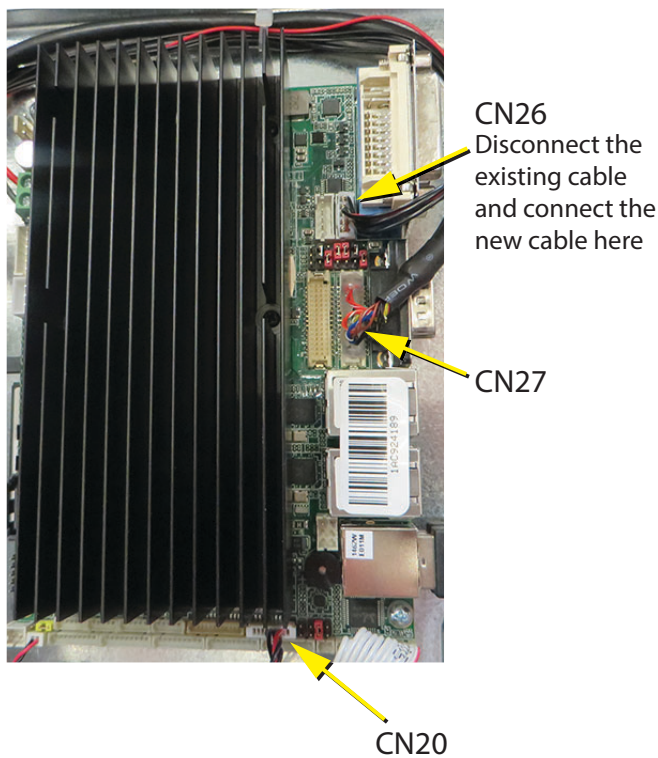


7. Connect the cables to the new display as shown below.



**Figure 18 Connect cables to the new display**

8. Disconnect the cable from CN26 on the PC sub compact board and connect the included cable in its place.



**Figure 19 Connect included cable to PC sub compact board**

## Instructions for TX3-TOUCH-S15-A and TX3-TOUCH-F15-A

1. Disconnect power from the Touch Screen.
2. If the circuit board shown below is present, then disconnect any wires connected to it, and remove the warning panel and the circuit board.

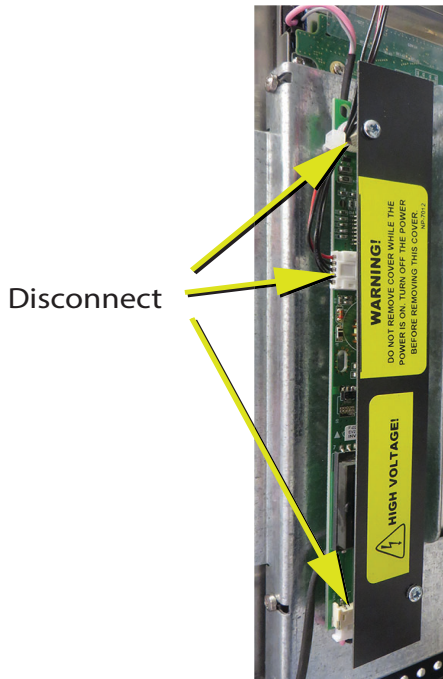


Figure 20 Disconnect and remove the circuit board if it is present

3. Disconnect the wires connected to the display.

**NOTE:** Depending on the model, one of the wires might not be present, as shown below.

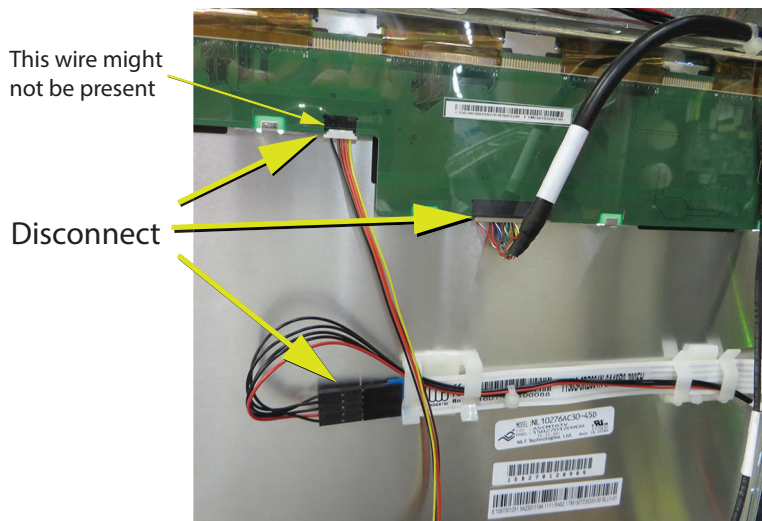
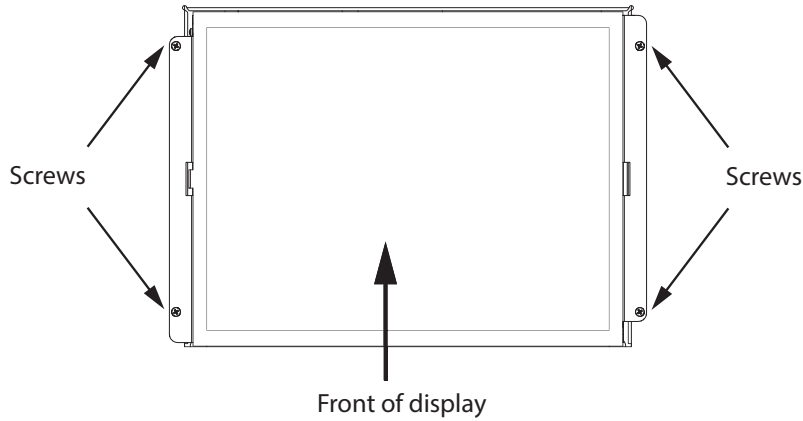


Figure 21 Disconnect the wires from the old display

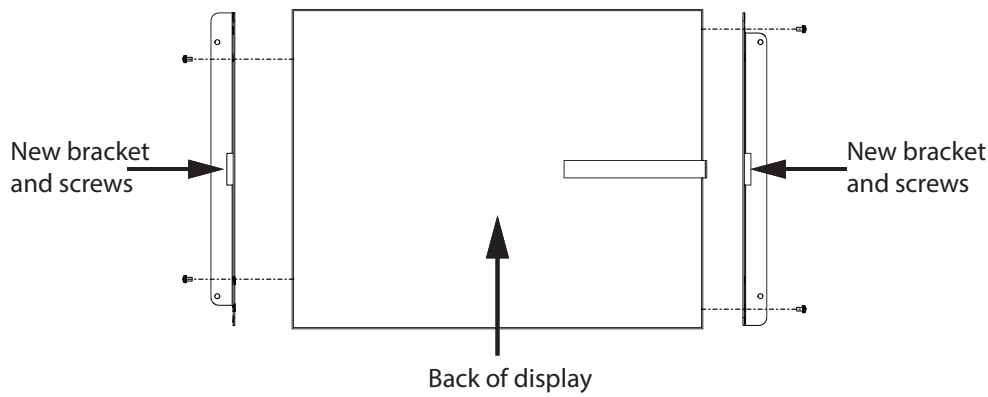
4. Unscrew the four screws holding the display to the brackets, and remove the display from the front.



**Figure 22 Unscrew the brackets from the display**

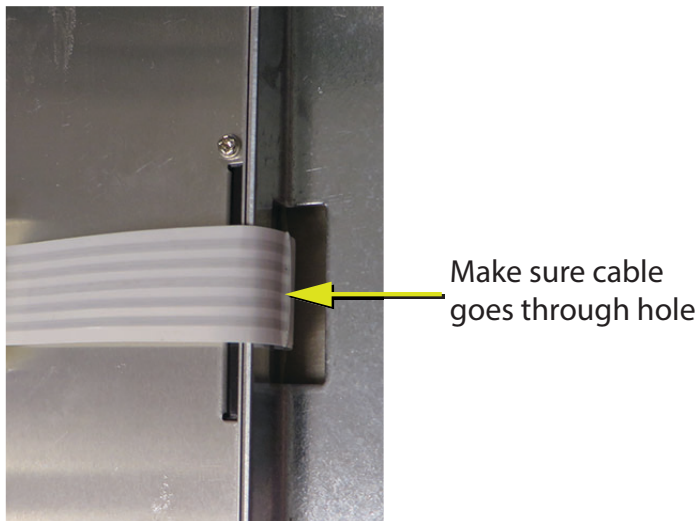
5. Use the 4 included screws to attach the included brackets to the new display.

**NOTE:** Use only the included screws to attach the brackets to the display. Using different screws might damage the display.



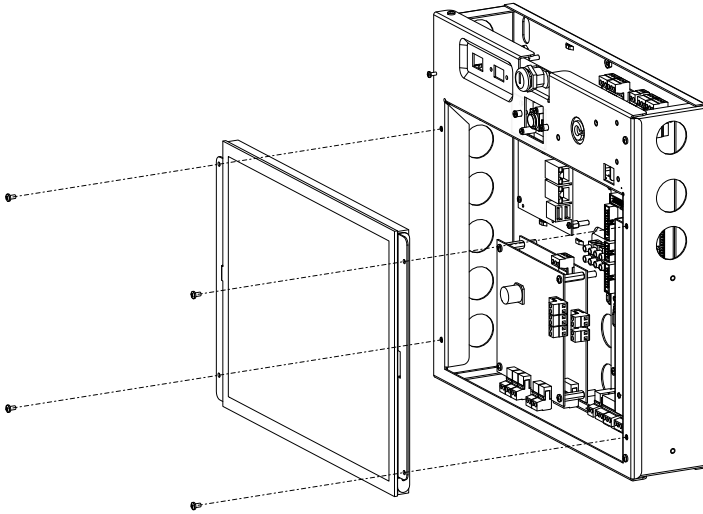
**Figure 23 Attach the new display to the included brackets**

6. Make sure that the cable goes through the hole in the right bracket.



**Figure 24 Make sure cable goes through hole**

- Place the new display in the chassis from the front and attach the display with the 4 screws you removed in step 4.

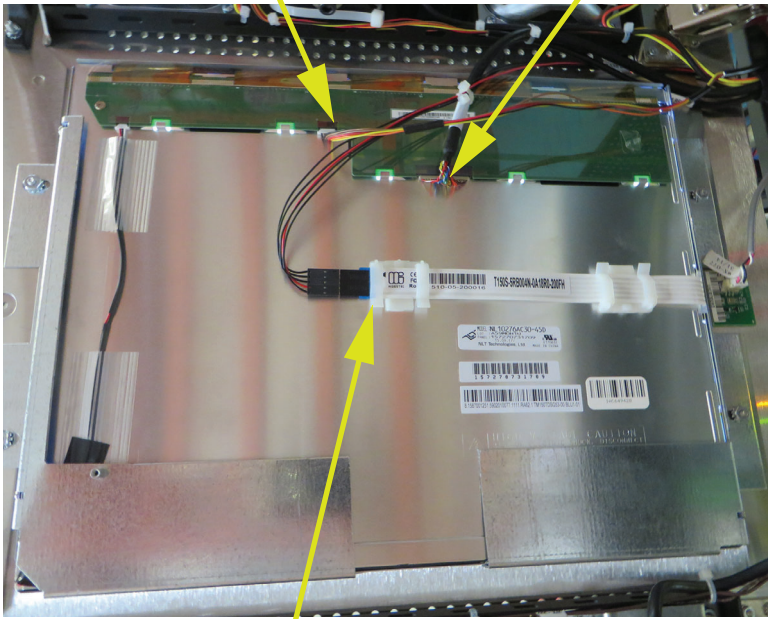


**Figure 25 Install new display**

- Connect the cables to the new display as shown below.

Included cable: to  
CN26 on PC sub  
compact board

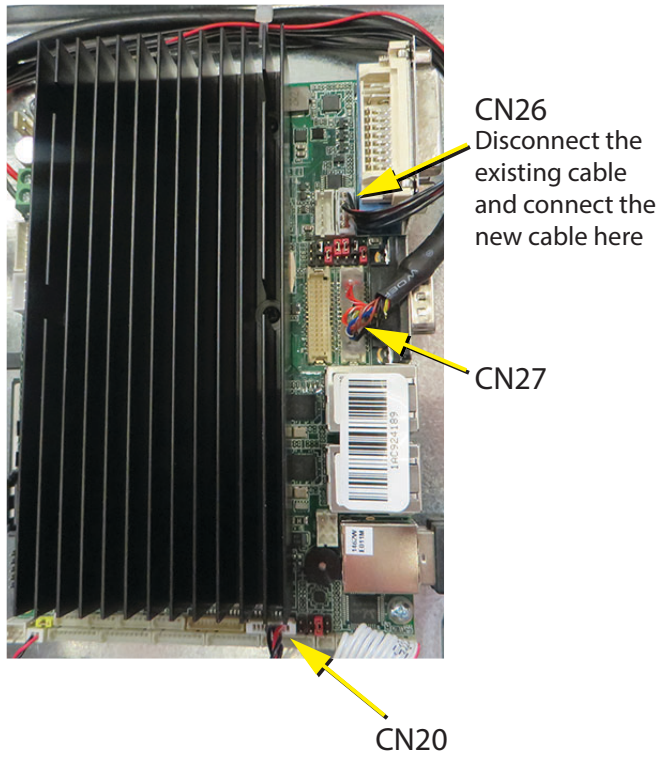
To CN27 on PC  
sub compact  
board



To CN20 on PC sub  
compact board

**Figure 26 Connect cables to new display**

9. Disconnect the cable from CN26 on the PC sub compact board and connect the included cable in its place.



**Figure 27 Connect included cable to PC sub compact board**