

Overview

This guide covers the DIN rail clip for V Style Modules (AMX-CAC0001). The purpose of this document is to illustrate the typical installation and use case for the DIN clip. Additional documentation for this device is available at www.amx.com.

What's in the box?

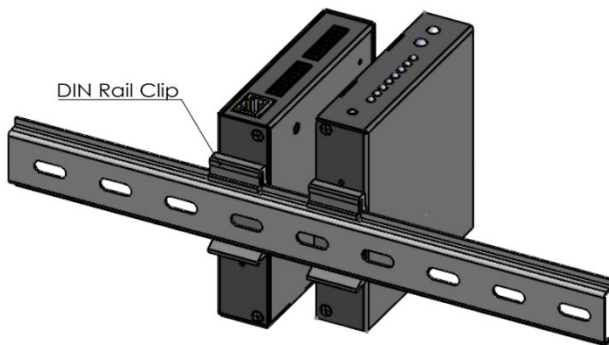
The following items are included with the DIN rail clip:

- The DIN Clip
- 2 pcs #4-40 mounting screws
- This Quick Start Guide

Supported V Style Modules

While the DIN rail clip's mounting screws are aligned with any V Style compatible module (1.5" mounting hole spacing), care must be taken with the weight and size of the module. Larger and heavier modules can exceed the maximum capacity of the DIN rail, especially aluminum DIN rail. The DIN clip was designed with these specific products in mind:

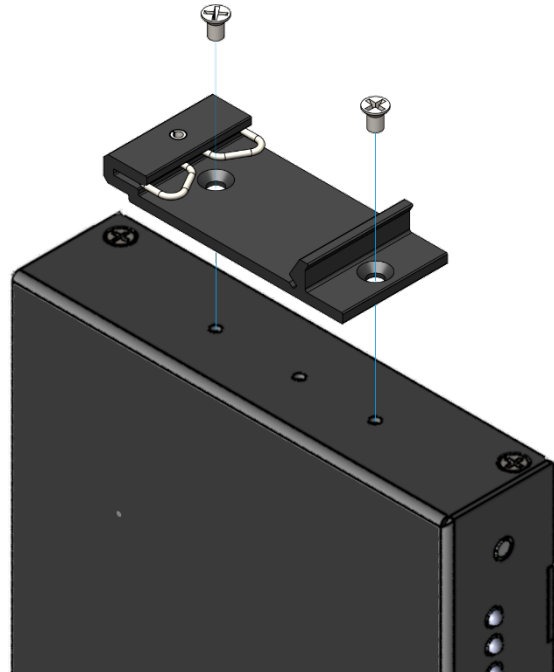
DIN Rail Clip V Style Module Compatibility		
Name	FG#	Description
CE-IRS4	AMX-CEB001	Control Extender – 4 IR
CE-REL8	AMX-CEB002	Control Extender – 8 Relay
CE-COM2	AMX-CEB003	Control Extender – 2 COM
CE-IO4	AMX-CEB004	Control Extender – 4 I/O
EXB-REL8	FG-2100-20	ICSLAN 8 Relay Interface
EXB-IO8	FG-2100-21	ICSLAN 8 Input/Output I/F
EXB-COM2	FG-2100-22	ICSLAN 2 COM Port I/F
EXB-IRS4	FG-2100-23	ICSLAN 4 IR Interface
EXB-MP1	FG-2100-26	ICSLAN MultiPort Interface



A CE-Series Control Extender installed on DIN rail

Installing the DIN clip on a V Style module

1. Use the included #4-40 screws to attach the DIN Clip to the compatible V Style module.



2. Install on a DIN rail by hooking the springs to the top of the rail (angling slightly to avoid the bottom of the rail)
3. Compress the springs with a downward push
4. With the springs compressed, push the bottom edge of the clip to the bottom edge of the DIN rail
5. Release the downward pressure on the clip
6. The clip is secure if you have bottom edge of the DIN rail resting in the notch in the bottom of the clip

DIN Clip Removal

To remove the clip from the DIN rail:

1. Push down on the top of the DIN mounted V Style module (parallel to the DIN Rail) to compress the springs
2. While continuing to compress the springs, pull the bottom edge of the DIN mounted module away from the DIN Rail
3. Lift the module up to free it from the top edge of the DIN rail