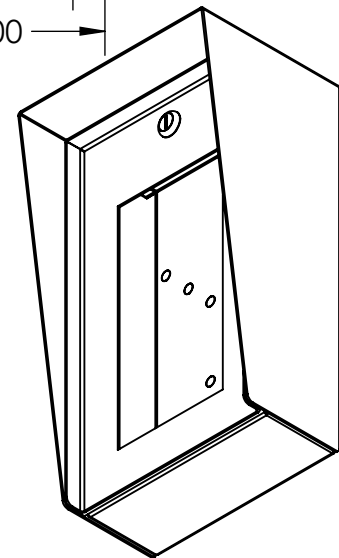


2NIP FORCE/SAFETY  
 \*REQUIRES PLASTERBOARD  
 FLUSH MOUNTING BOX  
 2N P/N: 01349-001

NOTES:

1. MATERIAL OF CONSTRUCTION IS MILD STEEL.
2. 2-4 MILS BLACK WRINKLE POWDER COAT.



PEDESTALPRO.COM  
 1-800-660-3072

UNLESS OTHERWISE SPECIFIED:

DIMENSIONS ARE IN INCHES  
 TOLERANCES:  
 FRACTIONAL  $\pm 1/32$   
 ANGULAR:  $\pm 2^\circ$   
 TWO PLACE DECIMAL  $\pm 0.010$   
 THREE PLACE DECIMAL  $\pm 0.005$

INTERPRET GEOMETRIC  
 TOLERANCING PER:  
 ASME Y14.5 -2009

NAME DATE

DRAWN

CHECKED

PROPRIETARY AND CONFIDENTIAL

THE INFORMATION CONTAINED IN THIS  
 DRAWING IS THE SOLE PROPERTY OF  
 PEDESTALPRO LLC. ANY REPRODUCTION  
 IN PART OR AS A WHOLE WITHOUT THE  
 WRITTEN PERMISSION OF PEDESTALPRO LLC  
 IS PROHIBITED.

TITLE:

INSTALLATION

Friday, May 5, 2023 8:51:34  
 AM

WEIGHT: 11.631

SIZE  
**A**

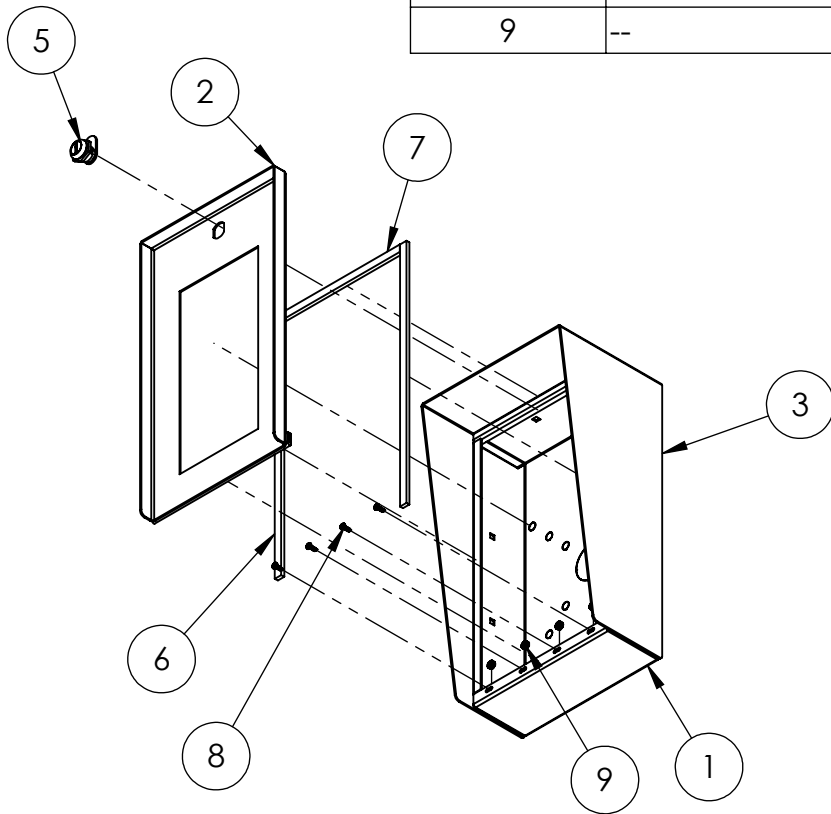
PART NO.  
 814HOU-2NIP-01-CRS

REV  
**C**

NO SCALE

SHEET 1 OF 6

| ITEM NO. | PART NUMBER                  | DESCRIPTION                  | QTY. |
|----------|------------------------------|------------------------------|------|
| 1        | 814HOU-2NIP-01-CRS ENCLOSURE | ENCLOSURE WELDMENT           | 1    |
| 2        | 814HOU-2NIP-01-CRS DOOR      | DOOR WELDMENT                | 1    |
| 3        | 814HOU-2NIP-01-CRS HOOD      | HOOD                         | 1    |
| 4        | HINGE                        | PIANO HINGE                  | 1    |
| 5        | CAM LOCK                     | STRAIGHT CAM                 | 1    |
| 6        | GASKET SIDE                  | 3/8" X .150 WEATHERSTRIPPING | 2    |
| 7        | GASKET TOP                   | 3/8" X .150 WEATHERSTRIPPING | 1    |
| 8        | --                           | 6-32 PAN HEAD SCREW          | 4    |
| 9        | --                           | 6-32 EXTERNAL TOOTH LOCK NUT | 4    |



NOTES:

1. SEE STANDARD PREPARATION AND COATING INSTRUCTIONS FOR COATING PROCEDURE AND COLOR.
2. SEE STANDARD PACKAGING INSTRUCTIONS FOR PACKAGING PROCEDURE.



PEDESTALPRO.COM  
1-800-660-3072

UNLESS OTHERWISE SPECIFIED:

DIMENSIONS ARE IN INCHES  
TOLERANCES:  
FRACTIONAL  $\pm 1/32$   
ANGULAR:  $\pm 2^\circ$   
TWO PLACE DECIMAL  $\pm 0.010$   
THREE PLACE DECIMAL  $\pm 0.005$

INTERPRET GEOMETRIC  
TOLERANCING PER:  
ASME Y14.5 -2009

| UNLESS OTHERWISE SPECIFIED: | NAME | DATE |
|-----------------------------|------|------|
| DRAWN                       |      |      |
| CHECKED                     |      |      |

**PROPRIETARY AND CONFIDENTIAL**  
THE INFORMATION CONTAINED IN THIS DRAWING IS THE SOLE PROPERTY OF PEDESTALPRO LLC. ANY REPRODUCTION IN PART OR AS A WHOLE WITHOUT THE WRITTEN PERMISSION OF PEDESTALPRO LLC IS PROHIBITED.

TITLE:  
**ASSEMBLY**

Friday, May 5, 2023 8:51:34 AM  
WEIGHT: 11.631

| SIZE     | PART NO.           | REV          |
|----------|--------------------|--------------|
| <b>A</b> | 814HOU-2NIP-01-CRS | <b>C</b>     |
| NO SCALE |                    | SHEET 2 OF 6 |