



Electronic Deadbolts and Levers with Home Connect Technology

Kwikset

A Smarter
Kind of
Simple™

HomeConnect™
CONNECTED SMART LOCKS

HOMEOWNER BENEFITS

Kwikset locks with Home Connect technology provide a smarter way to expand security and home automation systems to a complete line of wirelessly enabled door locks. Control the lock from anywhere using a smart phone, tablet, or internet connected device through the security/home automation system app.

HomeConnect
CONNECTED SMART LOCKS

Remote Locking and Unlocking
Notifications of Lock's Activity
Access Control
Integration with Other Smart Devices in the Home

KEYLESS ENTRY

A key-free lifestyle means no more fumbling for keys, no more losing keys, no more lockouts. With customizable user codes, homeowners can enter their home with just a few simple pushes of a button. Homeowners also get more control over who has access to the home. Kwikset electronic locks can store multiple user codes and can be scheduled to allow access at pre-selected times and recurrences.

REMOTE ACCESS

Homeowners can access and manage their lock from anywhere for ultimate control over their security and peace of mind. With Kwikset electronic locks, homeowners can lock and unlock doors from anywhere with an internet connected device, receive notification alerts of lock activity, and check the status of the lock while away from home.

HOME MANAGEMENT

Kwikset locks with Home Connect technology speak to the security system or home automation controller, allowing homeowners to set-up scenes and trigger events. From arming/disarming the alarm, to lights turning off/on, and the thermometer adjusting to the right temperature, it all starts with the Kwikset lock.



ANSI/BHMA* Certification requires that products are tested and audited, leading to higher design specifications and manufacturing procedures for operation, key torque cycles, pull strength, impact resistance, and finish. All Kwikset electronic locks and smart locks are certified to meet or exceed ANSI/BHMA requirements.



SmartKey Security™ provides strong resistance against advanced forced entry techniques. It also allows you to re-key the lock yourself so all your Kwikset locks share one key.

* ANSI/BHMA is an independent industry organization that certifies builders hardware product

DEALER BENEFITS

Selling on the benefits of incorporating access control

Safety & Security
Remote Access Control
Energy Management



Everyday Convenience
Connected Lifestyle
**“While You Were Out”
Peace Of Mind**

There are many drivers for why incorporating connected locksets into your customers total security solution will provide otherwise unseen benefits – it's up to you to understand what will motivate a particular homeowner. This understanding will lead to a mutually beneficial scenario for everyone – the customer has been given something of added value to their home life and your business has grown because of it. What does the connected lock mean to you?

INCREASE SYSTEM USAGE

The end consumer may not interact with their security panel on a daily basis, however what they will interact with is their entryway. By creating direct links from your lockset to your security panel, you are creating a lifestyle in which the system is being used on a regular basis.

INCREASE CUSTOMER RETENTION

By delivering a lifestyle in which the end consumer is interacting with their smart devices on a daily basis and coming to rely on the routine benefits provided, they have now entered the mindset where life any other way is unimaginable, turning customer retention into an automatic transaction.

INCREASE RMR

By building varying levels of custom packages (think Good, Better, Best scenarios) that deliver desirable system features and benefits via the products that are included, you can help drive movement towards increased RMR.

PROVIDE THE TOTAL SECURITY SOLUTION

Integrating a connected lockset is no longer just about access control. By creating connections, or scenes, from the lock to other devices in the home such as doorbells, video cameras, alarm panels, thermostats, lighting and more, you are providing a total home security solution that protects what matters most.

OBSIDIAN

TOUCHSCREEN ELECTRONIC DEADBOLT



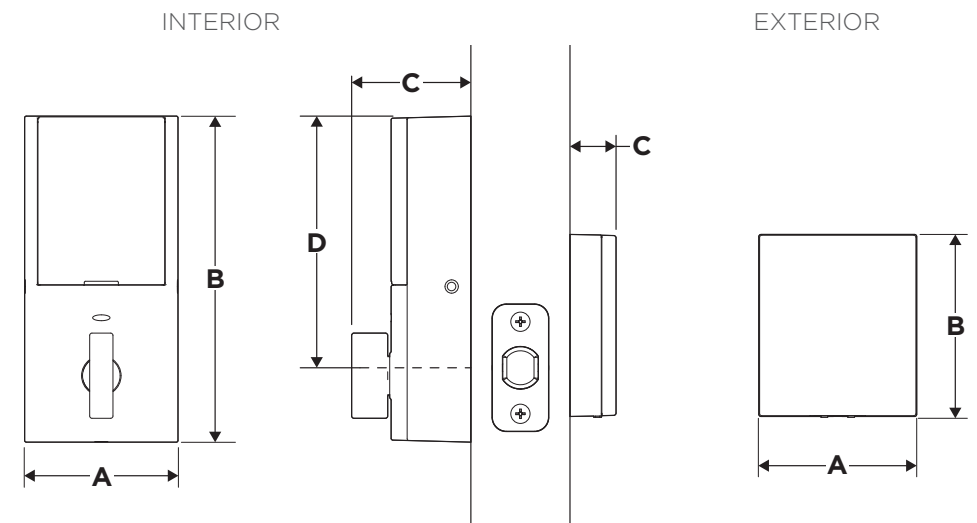
The Obsidian is an extremely slim, modern, key-free smart lock designed for homeowners who love contemporary design. It is the lowest profile smart lock in the industry, with a dark, sleek interface that pushes the boundaries of design in the touchscreen lock category. It features patented SecureScreen™ technology to prevent code detection from fingerprints on the touchscreen.



Part #	Item Description	Product Type	Finish
99540-001	954 OBN ZW500 15 RCALFD	Obsidian with Z-Wave Plus™	Satin Nickel
99540-002	954 OBN ZW500 11P RCALFD	Obsidian with Z-Wave Plus	Venetian Bronze



Obsidian Touchscreen Deadbolt



Dimensions	A	B	C	D
Interior	2 11/16" (68.6 mm)	5 3/4" (146 mm)	2 3/32" (53.3 mm)	4 9/16" (116 mm)
Exterior	2 25/32" (70.6 mm)	3 7/32" (81.4 mm)	13/16" (20.6 mm)	---



11P Venetian Bronze



15 Satin Nickel



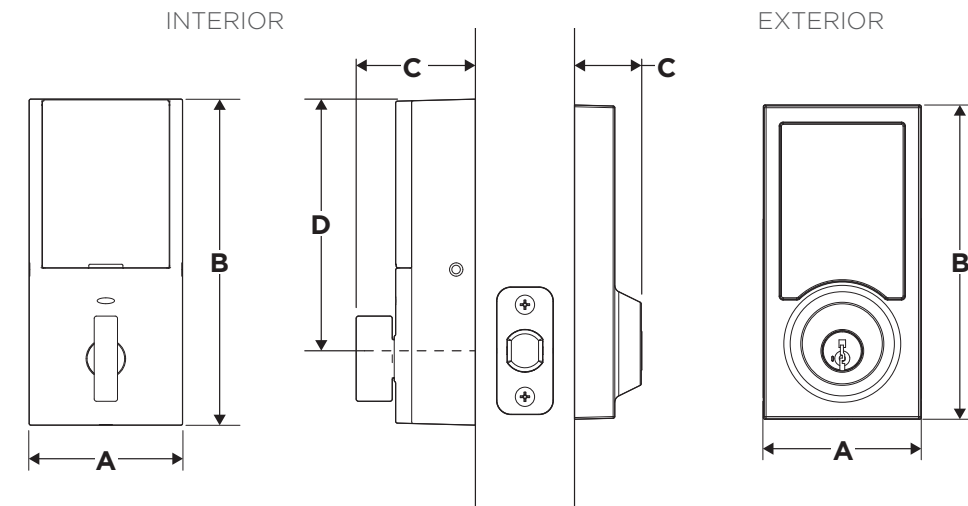
Product Features

- SecureScreen™ Touchscreen
- Motorized Deadbolt
- One-touch Locking
- Auto Lock
- 30 User Codes
- Interior LED (lock status)



The SmartCode 916 features a capacitive touchscreen with Kwikset's patented SecureScreen™ technology to prevent code detection from fingerprints on the touchscreen. The contemporary design complements homes with a modern décor.

SmartCode™ 916
Contemporary Touchscreen Deadbolt



Dimensions	A	B	C	D
Interior	2 11/16" (68.6 mm)	5 3/4" (146 mm)	2 3/32" (53.3 mm)	4 9/16" (116 mm)
Exterior	2 25/32" (70.7 mm)	5 17/32" (140.7 mm)	1 3/16" (30 mm)	---



Part #	Item Description	Product Type	Finish
99160-041	916CNT 500 15 SMT CP TPR RCALFD V2	SmartCode CNT with Z-Wave Plus	Satin Nickel
99160-042	916CNT 500 11P SMT CP TPR RCALFD V2	SmartCode CNT with Z-Wave Plus	Venetian Bronze
99160-043	916CNT 500 26 SMT CP TPR RCALFD V2	SmartCode CNT with Z-Wave Plus	Polished Chrome
99160-044	916CNT 500 514 SMT CP TPR RCALFD V2	SmartCode 916 CNT with Z-Wave Plus	Matte Black
99160-034	916CNT TSCR ZB 3.0 15 SMTCD TRP RCALFD	SmartCode 916 CNT with ZigBee 3.0	Satin Nickel
99160-035	916CNT TSCR ZB 3.0 11P SMTCD TRP RCALFD	SmartCode 916 CNT with ZigBee 3.0	Venetian Bronze
99160-036	916CNT TSCR ZB 3.0 514 SMTCD TRP RCALFD	SmartCode 916 CNT with ZigBee 3.0	Matte Black
99160-037	916CNT TSCR ZB 3.0 26 SMTCD TRP RCALFD	SmartCode 916 CNT with ZigBee 3.0	Polished Chrome



11P Venetian Bronze



15 Satin Nickel



26 Polished Chrome



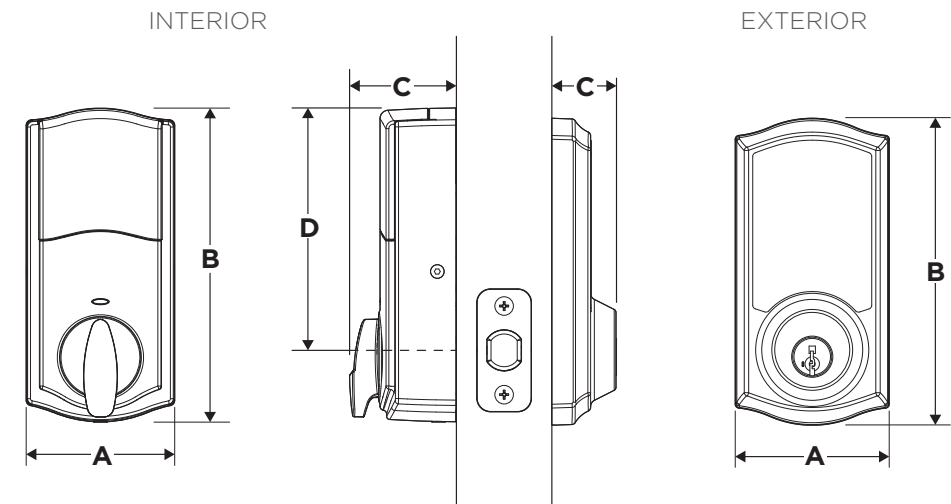
514 Matte Black

Product Features

- SecureScreen™ Touchscreen
- Motorized Deadbolt
- One-touch Locking
- Auto Lock
- 30 User Codes
- Interior LED (lock status)



SmartCode™ 916
Traditional Touchscreen Deadbolt



Dimensions	A	B	C	D
Interior	2 3/4" (70 mm)	5 3/4" (146 mm)	1 15/16" (49 mm)	4 9/16" (116 mm)
Exterior	2 13/16" (72 mm)	5 5/8" (143 mm)	1 3/16" (30 mm)	---

The SmartCode 916 features a capacitive touchscreen with Kwikset's patented SecureScreen™ technology to prevent code detection from fingerprints on the touchscreen. The traditional design complements homes with a classic or transitional décor.

- 2015 *Electronic House* "Product of the Year" Award
- 2015 *Connected World* "IoT Innovations" Award
- 2015 *TWICE* "VIP" Award
- 2015 Chicago Athenaeum "Good Design" Award
- 2015 *TechHome* "Brilliance" Award



Part #	Item Description	Product Type	Finish
99160-038	916TRL 500 15 SMT CP TPR RCALFD V2	SmartCode 916 Touchscreen Deadbolt with Z-Wave Plus	Satin Nickel
99160-039	916TRL 500 11P SMT CP TPR RCALFD V2	SmartCode 916 Touchscreen Deadbolt with Z-Wave Plus	Venetian Bronze
99160-031	916TRL TSCR ZB-3.0 L03 SMTCDTPR RCALFD	SmartCode 916 TRL with ZigBee 3.0	Satin Nickel
99160-032	916TRL TSCR ZB-3.0 15 SMTCD TPR RCALFD	SmartCode 916 TRL with ZigBee 3.0	Venetian Bronze
99160-033	916TRL TSCR ZB-3.0 11P SMTCDTPR RCALFD	SmartCode 916 TRL with ZigBee 3.0	Matte Black

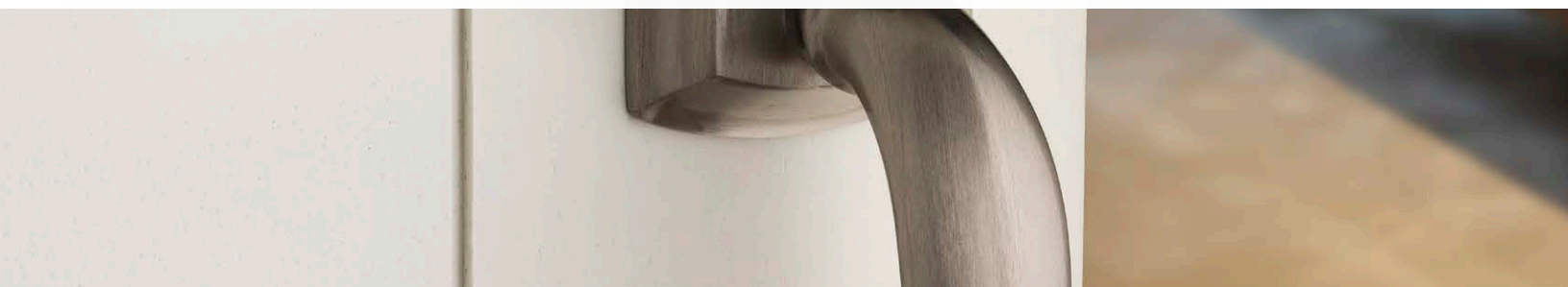


11P Venetian Bronze

15 Satin Nickel

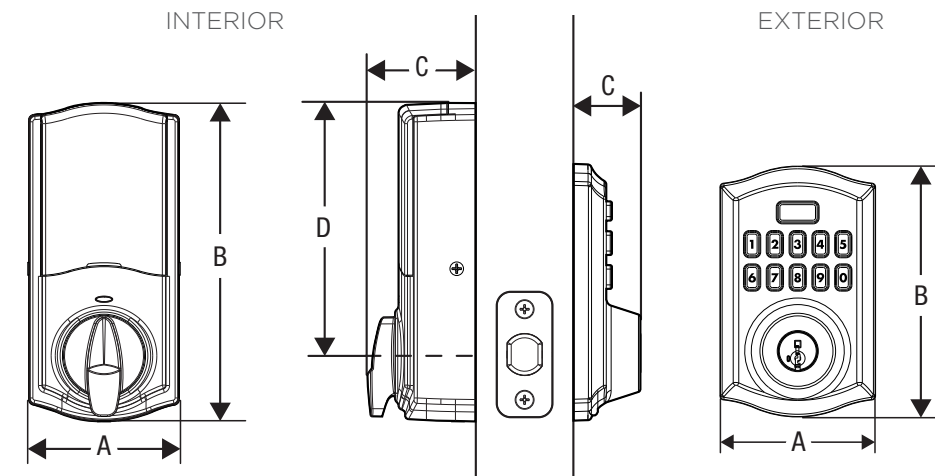
Product Features

- SecureScreen™ Touchscreen
- Motorized Deadbolt
- One-touch Locking
- Auto Lock
- 30 User Codes
- Interior LED (lock status)





HomeConnect™ 620
Traditional Keypad Deadbolt



Dimensions	A	B	C	D
Interior	2 23/32" (69.1 mm)	5 25/32" (146.6 mm)	1 15/16" (49.5 mm)	4 19/32" (116.5 mm)
Exterior	2 13/16" (71.43 mm)	4 9/16" (115.887 mm)	1 1/4" (31.75 mm)	---

The Home Connect 620 is a keypad electronic deadbolt that offers a traditional style, innovative security and features.

- 250 user codes
- Z-Wave 700
- S2 Secure Network Enrollment
- SmartStart Network Pre-Enrollment



Part #	Item Description	Product Type	Finish
98930-001	HC620 TRL ZW700 15 SMT RCALFD RCS BP	Home Connect 620 with Z-Wave 700 Chipset	Satin Nickel
98930-002	HC620 TRL ZW700 11P SMT RCALFD RCS BP	Home Connect 620 with Z-Wave 700 Chipset	Venetian Bronze
98930-003	HC620 TRL ZW700 L03 SMT RCALFD RCS BP	Home Connect 620 with Z-Wave 700 Chipset	Lifetime Polished Brass



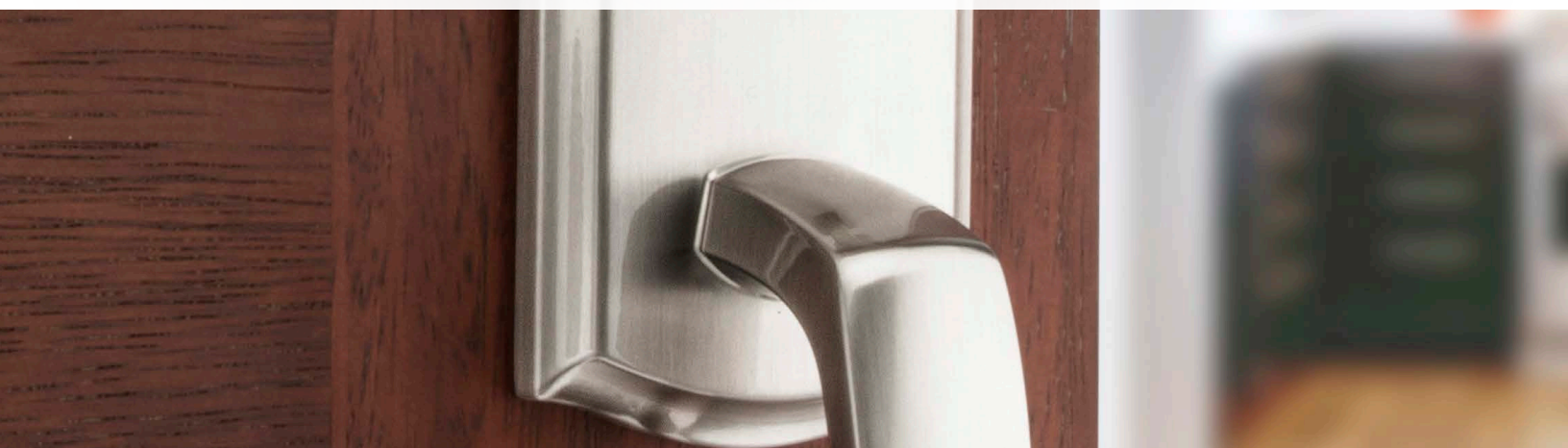
L03/3 Polished Brass

11P Venetian Bronze

15 Satin Nickel

Product Features

- 250 user codes
- Z-Wave 700
- S2 Secure Network Enrollment Auto Lock
- SmartStart Network Pre-Enrollment





The Home Connect 620 is a keypad electronic deadbolt that offers a modern contemporary style, innovative security and features.

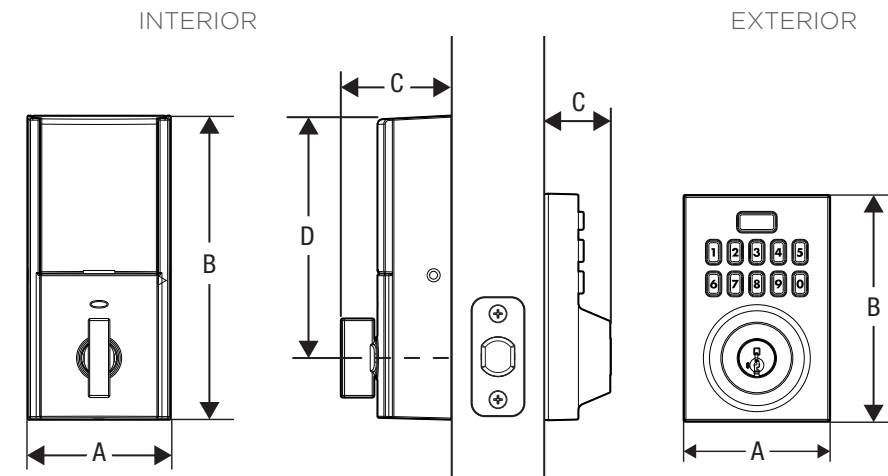
- 250 under codes
- Z-Wave 700
- S2 Secure Network Enrollment
- SmartStart Network Pre-Enrollment



Part #	Item Description	Product Type	Finish
98930-004	HC620 CNT ZW700 15 SMT RCALFD RCS BP	Home Connect 620 with Z-Wave 700 Chipset	Satin Nickel
98930-005	HC620 CNT ZW700 11P SMT RCALFD RCS BP	Home Connect 620 with Z-Wave 700 Chipset	Venetian Bronze
98930-006	HC620 CNT ZW700 26 SMT RCALFD RCS BP	Home Connect 620 with Z-Wave 700 Chipset	Polished Chrome
98930-007	HC620 CNT ZW700 514 SMT RCALFD RCS BP	Home Connect 620 with Z-Wave 700 Chipset	Matte Black



HomeConnect™ 620
Contemporary Keypad Deadbolt



Dimensions	A	B	C	D
Interior	2 23/32" (69.1 mm)	5 25/32" (146.6 mm)	2 1/8" (53.97 mm)	4 1/2" (114.3 mm)
Exterior	2 25/32" (70.64 mm)	4 5/16" (109.53 mm)	1 1/4" (31.75 mm)	---



11P Venetian Bronze

15 Satin Nickel

26 Polished Chrome

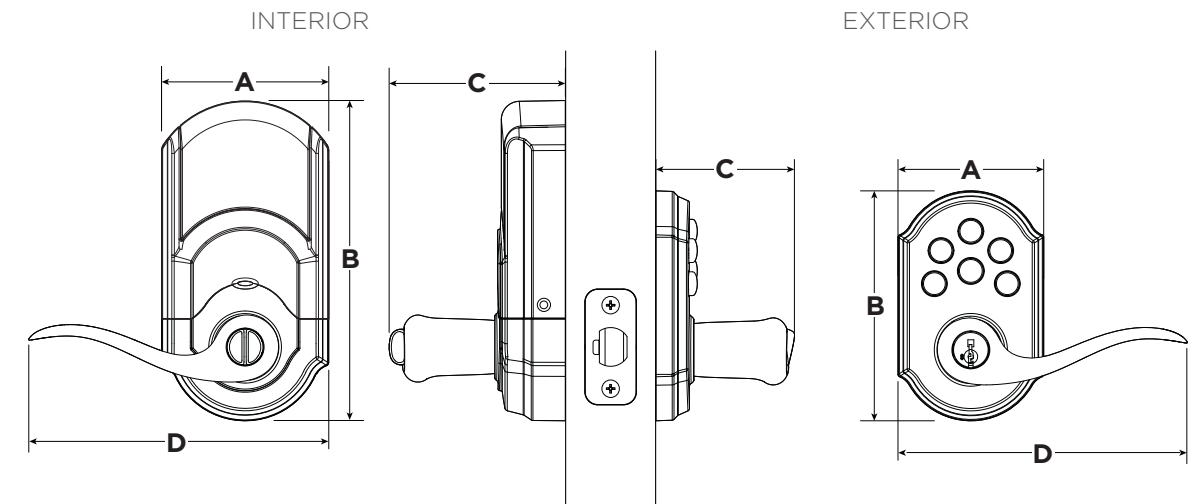
514 Matte Black

Product Features

- 250 under codes
- Z-Wave 700
- S2 Secure Network Enrollment Auto Lock
- SmartStart Network Pre-Enrollment



SmartCode™ 912
Touchpad Lever



Dimensions	A	B	C	D
Interior	3 15/16" (82.15 mm)	6 3/16" (157.16 mm)	3 27/64" (86.92 mm)	5 13/16" (147.64 mm)
Exterior	2 13/16" (71.44 mm)	4 29/64" (113.11 mm)	2 11/16" (68.26 mm)	5 39/64" (142.48 mm)

The SmartCode 912 is an electronic touchpad lever recommended for securing interior rooms like home offices, wine cellars, storage rooms, and interior garage doors. The traditional design complements homes with classical, transitional, or modern décor.



Part #	Item Description	Product Type	Finish
99120-037	912TNL ZW500 15 RCALFD	SmartCode 912 Lever with Z-Wave Plus	Satin Nickel
99120-038	912TNL ZW500 11P RCALFD	SmartCode 912 Lever with Z-Wave Plus	Venetian Bronze
99120-030	912TNL TRL ZB L03 SMT CP	SmartCode 912 HA 1.2 ZigBee Lever	Polished Brass
99120-020	912TNL TRL ZB 15 SMT CP	SmartCode 912 HA 1.2 ZigBee Lever	Satin Nickel
99120-021	912TNL TRL ZB 11P SMT CP	SmartCode 912 HA 1.2 ZigBee Lever	Venetian Bronze

Available Finishes



11P Venetian Bronze



15 Satin Nickel

Product Features

- 5-digit Keypad
- Motorized Latch
- One-touch Locking
- Auto Lock
- 30 User Codes
- Interior LED (lock status)



Innovation for the world you live in.

We are dedicated to putting countless hours of research and development into simplifying your life. The technology that we create doesn't just change the way locks work, it provides convenient features that change the way people live.

Because at the end of the day, it's your world and we're here to protect it.



CONVERT

Part #	Item Description	Product Type	Finish
99140-138	914 ZB 3.0 L03 CONVERT	SmartCode 914 Convert with ZigBee 3.0	Lifetime Polished Brass
99140-139	914 ZB 3.0 15 CONVERT	SmartCode 914 Convert with ZigBee 3.0	Satin Nickel
99140-140	914 ZB 3.0 11P CONVERT	SmartCode 914 Convert with ZigBee 3.0	Venetian Bronze

Available Finishes



L03/3 Polished Brass



11P Venetian Bronze



15 Satin Nickel



zigbee