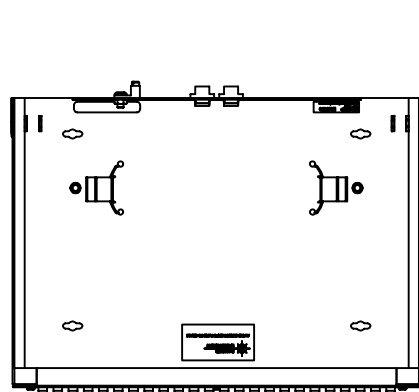


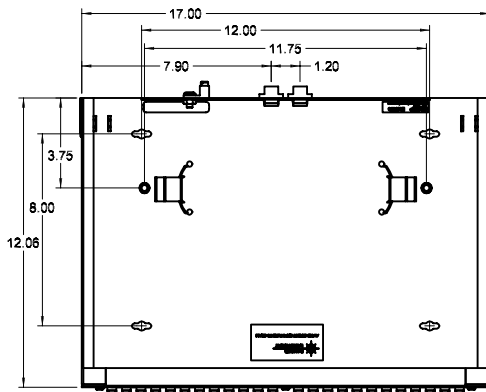
REVISION HISTORY					
REV	BY	DESCRIPTION	DATE	ENGR	CHECKED
A	ALL	RELEASE NEW	6/21/06	NEW	JY
B	-	UPDATED: ALL NOTES AND DWG VIEWS, ADDED NEW ASSY'S	2/12/07	-	RBS
C	-	ADDED: BACK VIEW TO SHOW ASSY'S THAT USE 4 MT COUPLERS	7/13/07	-	RBS



TOP VIEW



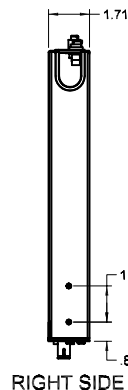
FRONT VIEW
DUPLX LC COUPLER ASSEMBLY
(SHOWN FOR CLARITY)



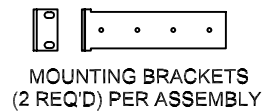
TOP VIEW



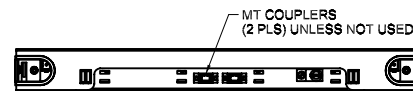
FRONT VIEW
SIMPLEX SC COUPLER ASSEMBLY
(SHOWN FOR CLARITY)



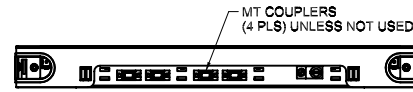
RIGHT SIDE



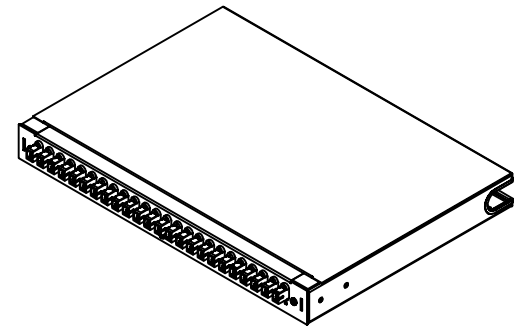
MOUNTING BRACKETS
(2 REQ'D) PER ASSEMBLY



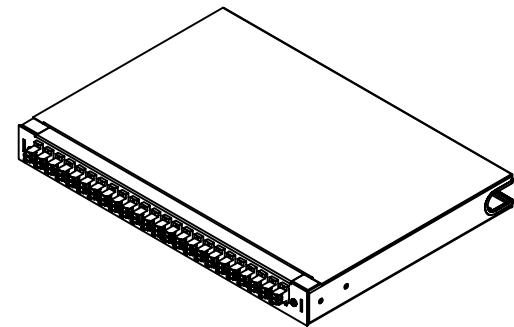
REAR VIEW



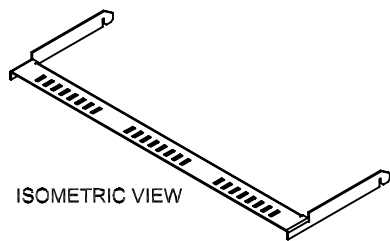
REAR VIEW



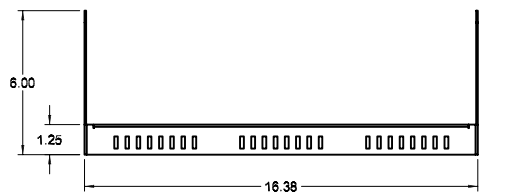
ISOMETRIC VIEW
SIMPLEX SC COUPLER ASSEMBLY
(SHOWN FOR CLARITY)



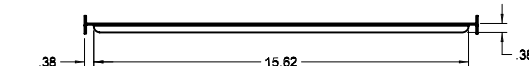
ISOMETRIC VIEW
DUPLX LC COUPLER ASSEMBLY
(SHOWN FOR CLARITY)



ISOMETRIC VIEW



TOP VIEW



FIBER MANAGEMENT BAR

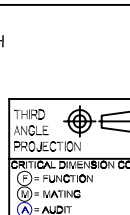
SPECIFICATIONS

FEATURES & BENEFITS:

- OPTICAL CABLE CORPORATIONS, FIBEROPTICX (RTC1UB SERIES) FIBER OPTIC MOUNTING CROSS CONNECT PATCH PANELS PROVIDE FIBER MANAGEMENT, CONNECTIVITY AND DISTRIBUTION FOR 6 TO 48 FIBERS. ACCOMMODATES ALL CROSS CONNECT FUNCTIONS (SPlicing, TERMINATION, AND INTERCONNECTION) FOR OUTSIDE PLANT, BACKBONE, AND BUILDING CABLES.
- ACCOMMODATES SNAP-IN ADAPTERS. RTC1UB PANEL PORT COUNT IS BASED ON SIMPLEX AND DUPLX 24 & 48 ADAPTERS FOR TERMINATE AND CABLE MANAGEMENT. WELL SUITED TO MULTIMEDIA/MULTI-APPLICATION CABLING ENVIRONMENTS.
- FIBER MANAGEMENT BAR OFFERS ENHANCED CABLE MANAGEMENT. TIE-WRAPS PROVIDED TO CONTROL CABLING ALONG BAR. BAR IS REMOVABLE FOR INSTALLATION CONVENIENCE.

- PANEL IS RUGGED 16-GAUGE STEEL CONSTRUCTION WITH A DURABLE POWDER COAT FINISH, COLOR BLACK.
- STANDARD PATCH PANEL MOUNTING TO FIT 19" RACK. MOUNTING HARDWARE INCLUDED WITH RTC PANELS.
- ALL PLASTIC COMPONENTS ARE HIGH IMPACT SELF-EXTINGUISHING, UL LISTED RATING 94V-0.

OCC PART NO.	DESCRIPTION
RTC1UB-48DLC	ASSEMBLY, RTC FIBER TRAY, 48 PORT, SM/MM DLC, WITH COVER AND FIBER MGMT BAR, WITHOUT MT COUPLERS
RTC1UB-48DLC/MT	ASSEMBLY, RTC FIBER TRAY, 48 PORT, SM/MM DLC, WITH COVER AND FIBER MGMT BAR, WITH MT COUPLERS
RTC1UB-48DLCMM	ASSEMBLY, RTC FIBER TRAY, 48 PORT, MM DLC, WITH COVER AND FIBER MGMT BAR, WITHOUT MT COUPLERS
RTC1UB-48DLCMM/MT	ASSEMBLY, RTC FIBER TRAY, 48 PORT, MM DLC, WITH COVER AND FIBER MGMT BAR, WITH MT COUPLERS
RTC1UB-48DLCSM	ASSEMBLY, RTC FIBER TRAY, 48 PORT, SM DLC, WITH COVER AND FIBER MGMT BAR, WITHOUT MT COUPLERS
RTC1UB-48DLCSM/MT	ASSEMBLY, RTC FIBER TRAY, 48 PORT, SM DLC, WITH COVER AND FIBER MGMT BAR, WITH MT COUPLERS
RTC1UB-24SC	ASSEMBLY, RTC FIBER TRAY, 24 PORT, SM/MM SC, WITH COVER AND FIBER MGMT BAR, WITHOUT MT COUPLERS
RTC1UB-24SC/MT	ASSEMBLY, RTC FIBER TRAY, 24 PORT, SM/MM SC, WITH COVER AND FIBER MGMT BAR, WITH MT COUPLERS
RTC1UB-24SCMM	ASSEMBLY, RTC FIBER TRAY, 24 PORT, MM SC, WITH COVER AND FIBER MGMT BAR, WITHOUT MT COUPLERS
RTC1UB-24SCMM/MT	ASSEMBLY, RTC FIBER TRAY, 24 PORT, MM SC, WITH COVER AND FIBER MGMT BAR, WITH MT COUPLERS
RTC1UB-24SCSM	ASSEMBLY, RTC FIBER TRAY, 24 PORT, SM SC, WITH COVER AND FIBER MGMT BAR, WITHOUT MT COUPLERS
RTC1UB-24SCSM/MT	ASSEMBLY, RTC FIBER TRAY, 24 PORT, SM SC, WITH COVER AND FIBER MGMT BAR, WITH MT COUPLERS



THIRD ANGLE PROJECTION

CRITICAL DIMENSION CODE
 (C) = FUNCTION
 (M) = MATING
 (A) = AUDIT

MATERIAL: SEE BILL OF MATERIAL
 FINISH: SEE NOTES

UNCONTROLLED COPY			
UNLESS OTHERWISE SPECIFIED DIMENSIONS ARE IN INCHES. TOLERANCES: FRACTIONS = 1/32" ANGLES = 1/2° 3 PLACE DECIMALS = .003" 2 PLACE DECIMALS = .01"			
THIS DRAWING AND THE DESIGN SHOWN ARE THE PROPERTY OF OPTICAL CABLE CORPORATION AND MAY NOT BE USED AS THE BASIS FOR MANUFACTURE OR SALE WITHOUT SPECIFIC WRITTEN PERMISSION OF OPTICAL CABLE CORPORATION.			
DRAWN	J. MALTAIS	DATE	6/6/06
CHECKED	J. YANIK	DATE	10/2/06
ENGINEER	J. MALTAIS	DATE	6/6/06
APPROVED	R. B. SMITH	DATE	7/13/07
PREVIOUS DWG			
NEXT DWG			

OCC
OPTICAL CABLE CORPORATION

5290 Concourse Drive
Roanoke, VA 24019
Phone: 800-622-7711
Fax: 540-265-0724
www.occfiber.com

DWG TITLE: CUSTOMER DRAWING, RTC1UB ASSEMBLY, SC/DLC PLATE, FIBER TRAY

SIZE: C DWG NO: C107714 REV: C

SCALE: NONE SHEET: 1 OF 3