



Special Edition AT8 ISF Series

Acoustically Transparent Fixed Frame Screen

For models/sizes above 150”

USER'S GUIDE – M Type

V 1.0

Product Description

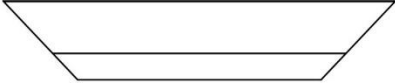


The **Special Edition AT8 ISF** is a fixed frame screen hand-wrapped in velvet velour using EPV Screens acoustically transparent front projection material designed for ultra-high-definition 4K/8K projectors.

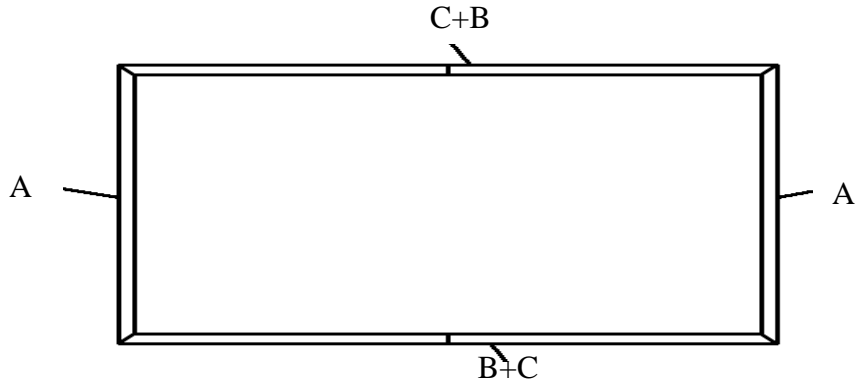
The **Sonic AT8 ISF** material is **ISF Certified** for providing a flat spectral response and rendering accurate colors in a dark room environment.

In order for the **Sonic AT8 ISF** to maintain its projection qualities and optimum performance please refer to the list below for proper maintenance and cleaning.

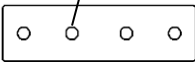

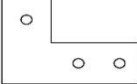
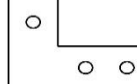


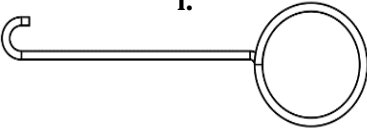







- Use a soft bristle brush to spot clean for dust.
- Dip a soft bristle toothbrush in mild soap and water to clean light stains
- Never rub or apply pressure when cleaning the surface.
- Never attempt to use any solutions, chemicals, or abrasive cleaners on the screen surface.
- To avoid damaging the screen, avoid touching it directly with your fingers, pens/pencils or any other sharp or abrasive objects.

Frame Parts List

A. Vertical Frame x 2pcs	B. ½ Horizontal Frame x2 pcs	C. ½ Horizontal Frame x 2 pcs
		



Hardware Parts List

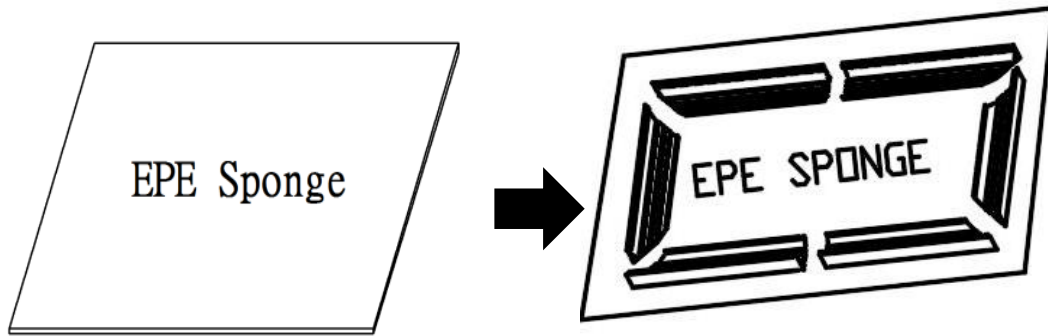
a.  M4*4	b.  D5*4	c.  M4*4	d.  D5*4	g. 	h. 
i. 		j. 	k. 	l. 	
o. 		p. 	r. Red  Black 		

Item	Parts List	165"	180"
		16:9	
a.	Center Joints- M4 (bottom position)	2	2
b.	Center Joints-D5 (top position)	2	2
c.	Elbow Joints M4 (bottom position)	4	4
d.	Elbow Joints D5 (top position)	4	4
g.	M4x7 Screws	24	24
h.	Springs for screen material/Black backing	100/66	106/66
i.	Pull Hook	2	2
j.	Wall brackets	6	6
k.	Wall Screws M5x50	12	12
l.	Hollow Wall anchors	12	12
o.	Center Support Bar	2	2
p.	White gloves	2	2
r.	Φ3 mm Long Iron (sides) rod / Short rod (top/bottom)	2/4	2/4

Frame Assembly

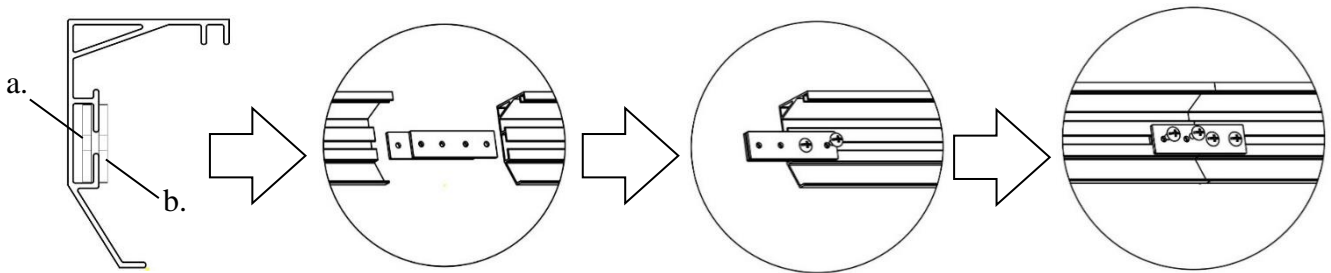
Step 1: Place the EPE sponge (foam) sheet on the ground of the area where the screen will be assembled.

Step 2: Position the pieces of the frame on the EPE sponge in the arrangement shown below.



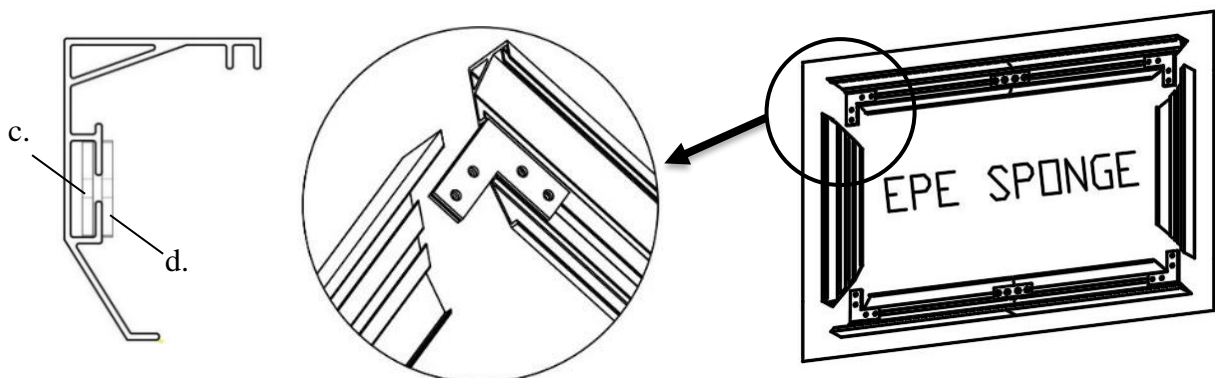
Step 3: Insert *center joint* (a/b) connectors into *one-half of the horizontal frame* (B/C) and secure with the *M4x7 screws* (g) as shown in the illustration below.

Tip: *The center joint (b) with the larger diameter holes should be on top.*

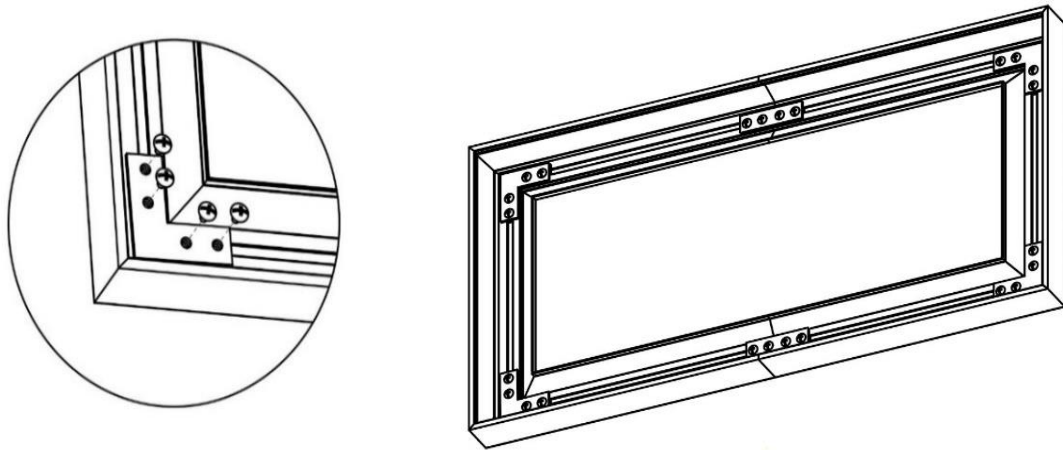


Step 4: Connect the *elbow joints* (c/d) to the top and bottom sections of the vertical frame. Once inserted, connect the vertical sections to the horizontal frame sections. Make sure all holes are in alignment and the frame pieces are flush (no gaps). They should form perfect right angles.

Tip: *The elbow joint (d) with the larger diameter holes should be on top.*

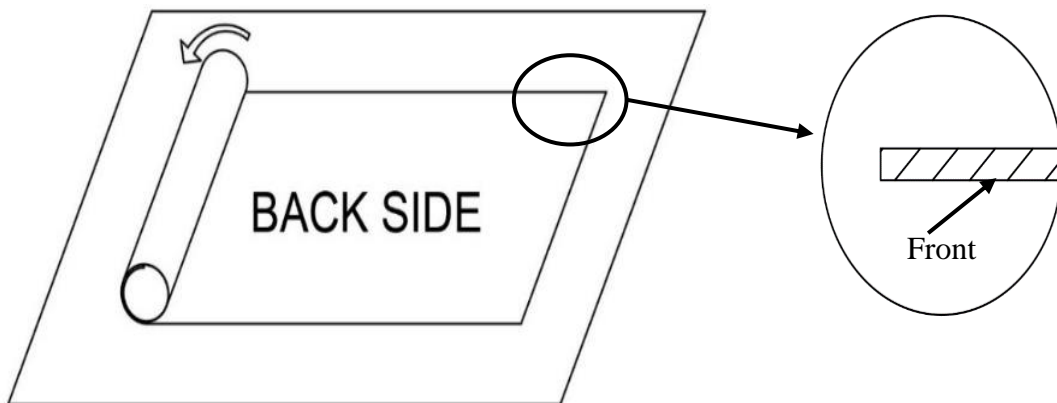


Step 5. Secure the elbow joints by fastening them with *M4x7 screws (g)*, 4 at each corner.

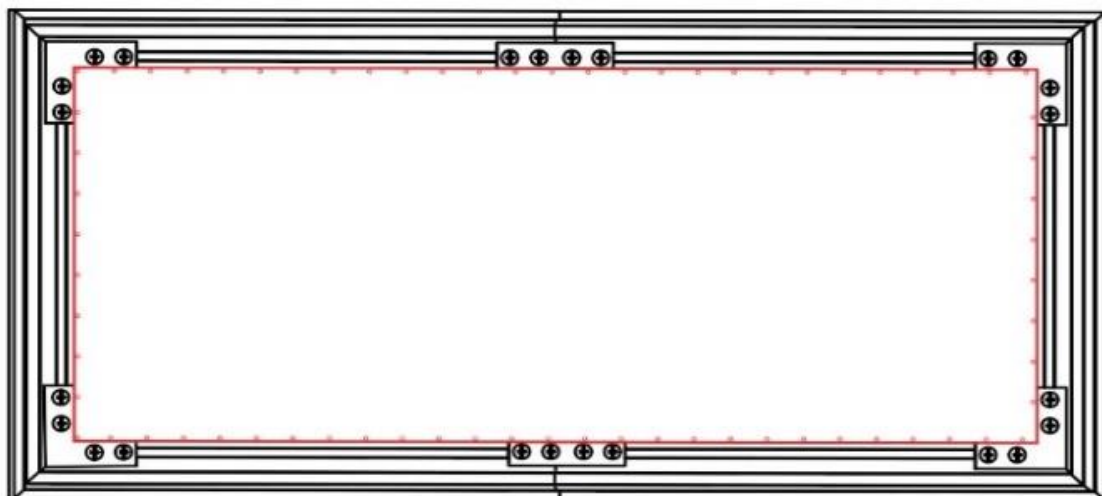


Screen Material

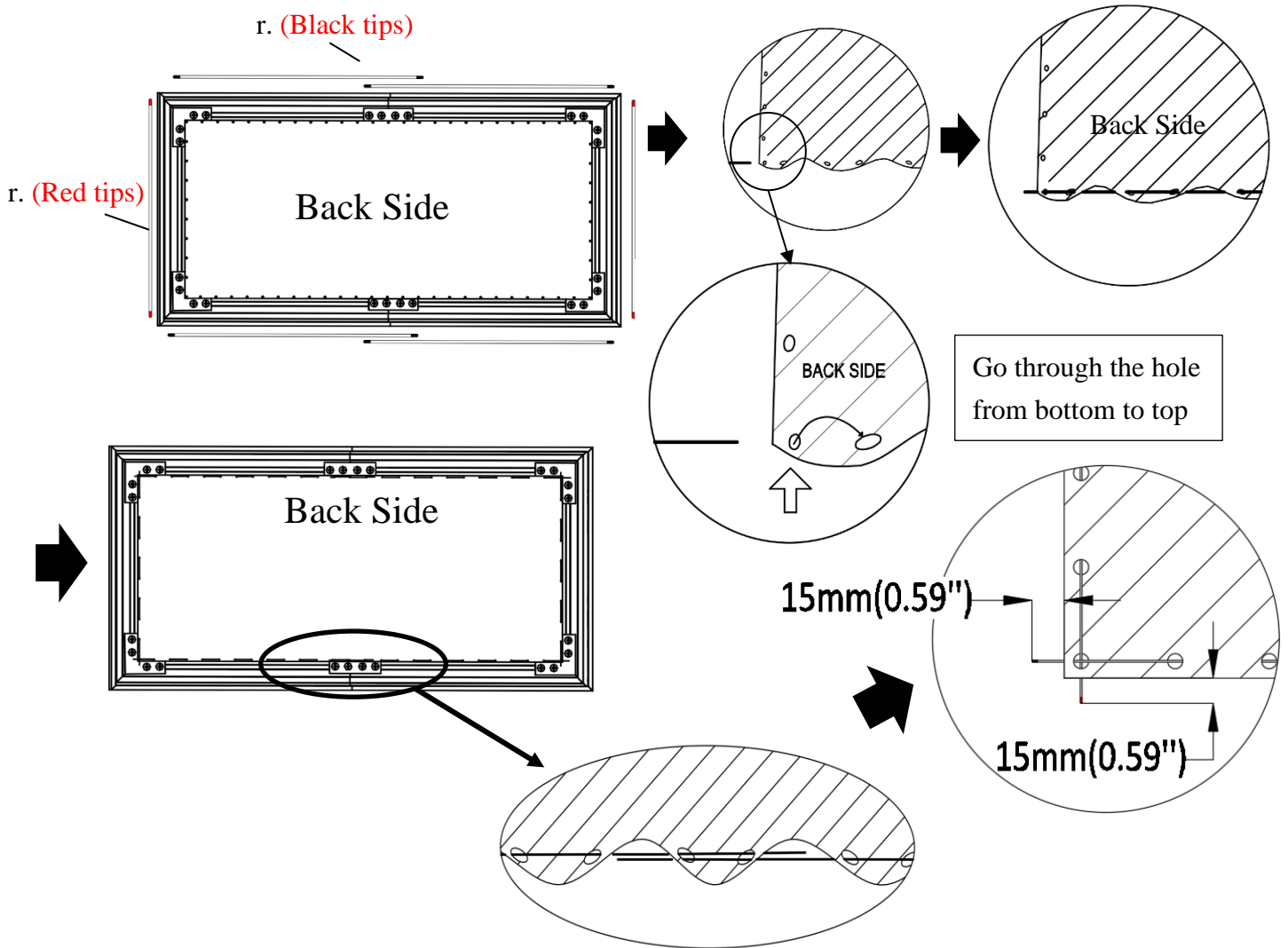
Step 6: Put on the *white gloves (p)* and carefully unroll the screen material on a clean surface from the roller to the other side as shown below. The back side of the screen material should be placed upwards.



Step7: Carefully place the screen on top of the assembled frame as shown below.

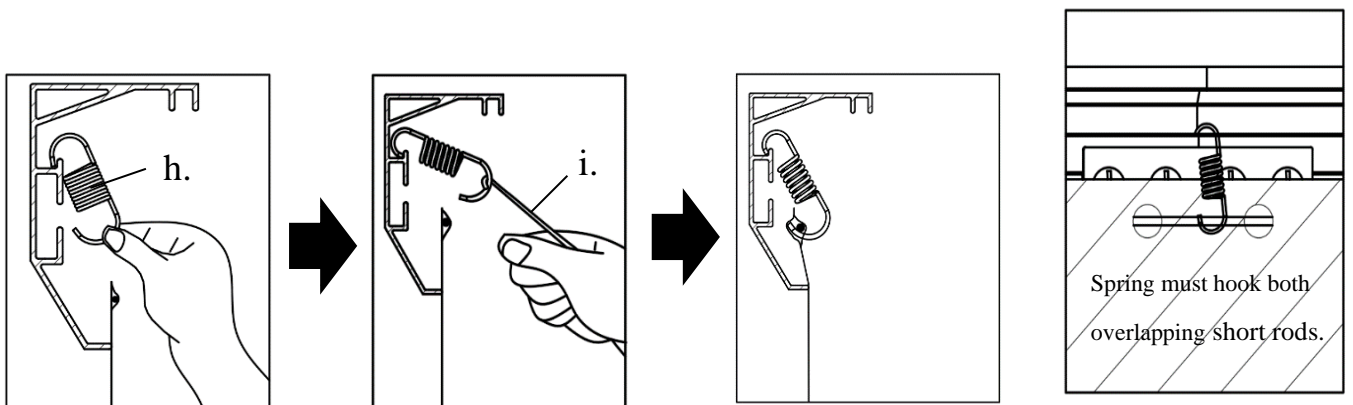


Step 8: Insert the *rods (r)* through the sleeves according to their corresponding lengths on each edge of the screen as shown below. The short rods (top/bottom) will overlap to secure a firm grasp in the middle areas.



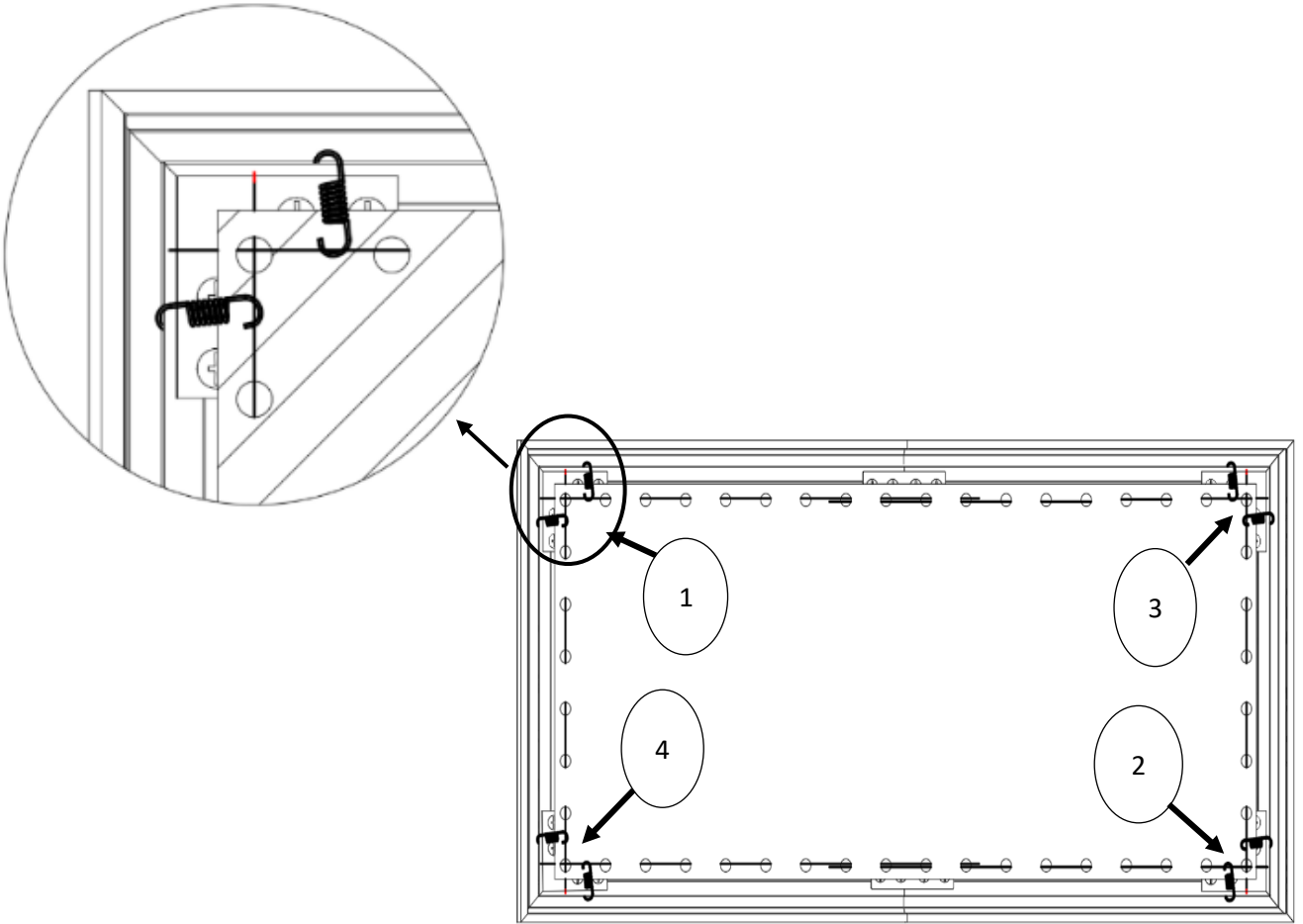
How to attach the springs

Step 9: Hook one end of the spring and secure inside the groove of the frame, use the *spring hook (i)* to attach the spring to the center of the iron rod between each hole in the following order.

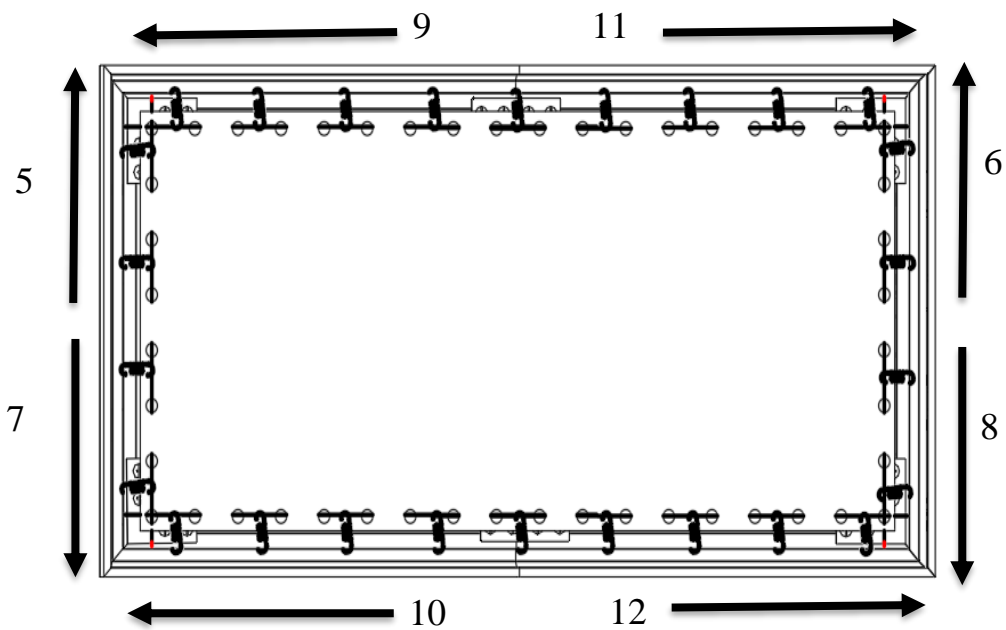


Begin by first attaching all four corners, steps 1-4.

Make sure all four corners are properly affixed before proceeding to attach the next springs.

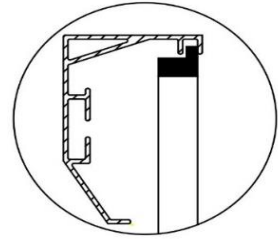
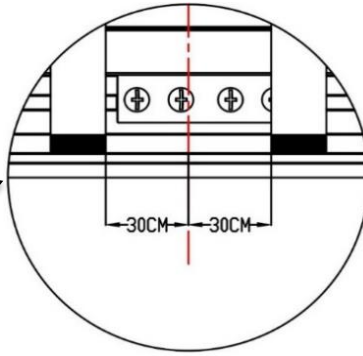
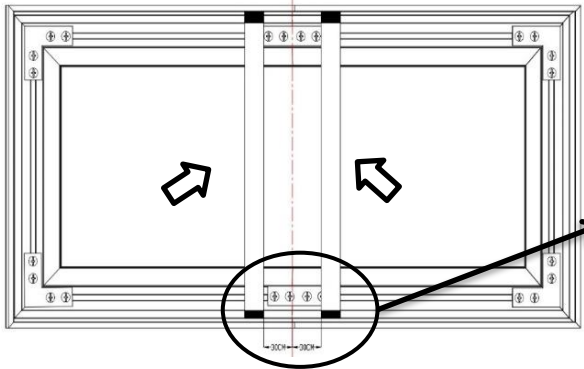


Continue to attach the remaining springs to the material in steps 5-12 in the following order.



Step 10: Insert the Center Support Bar (o) into the upper top groove on the back of the frame with the bottom end near the approximate center point of the frame and rotate it in at an angle so that both ends of the bar are in alignment with the groove.

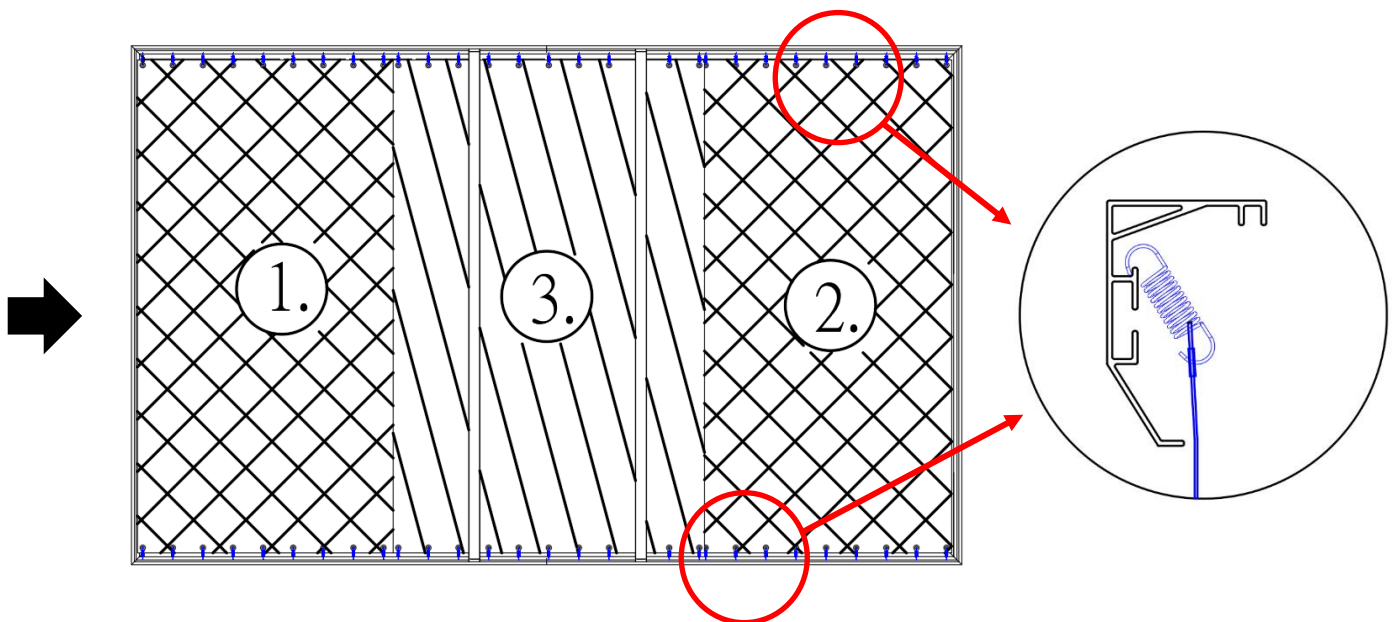
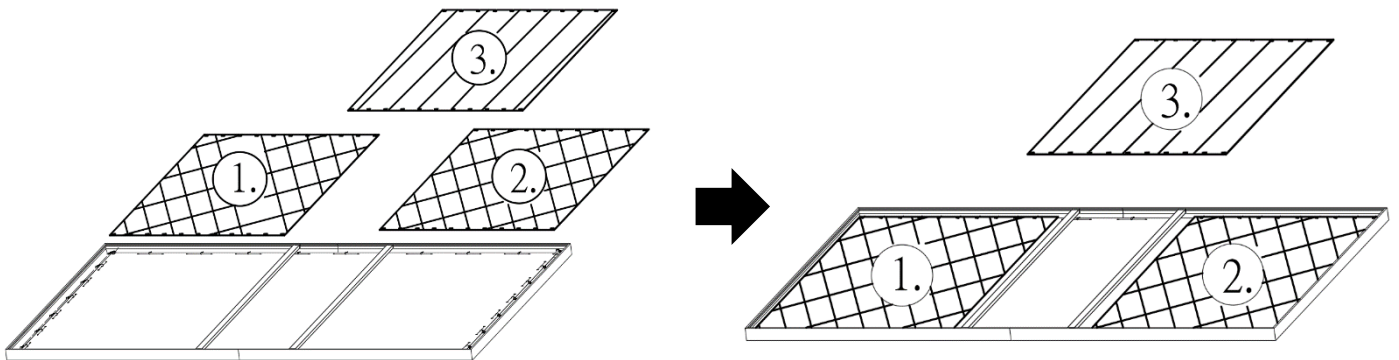
Diagonal Models above 150" require 2 x Center Support Bars



Place a center support bar
30 cm (11.8") apart from
the center (red line).

Black backing cloth attachment

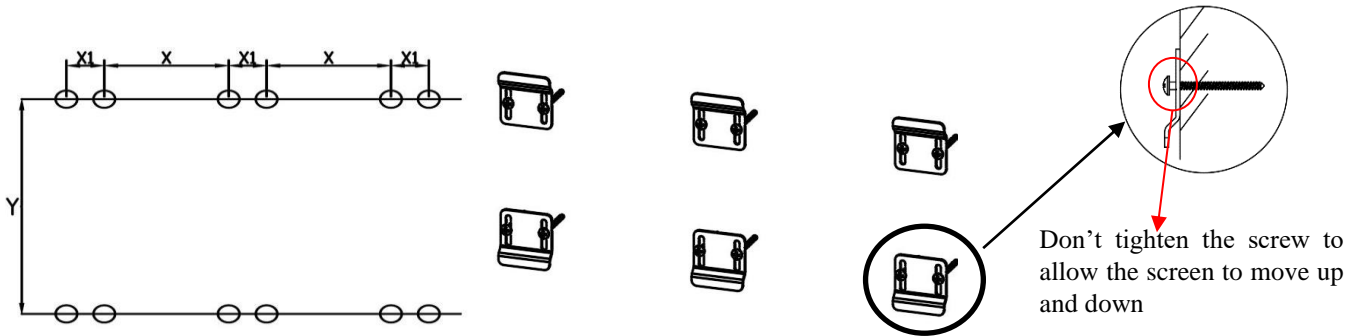
Step 11: Attach the sides (1 and 2) of the black backing panels first, then the middle (3) using the springs at the top/bottom to secure to the frame.



Installation

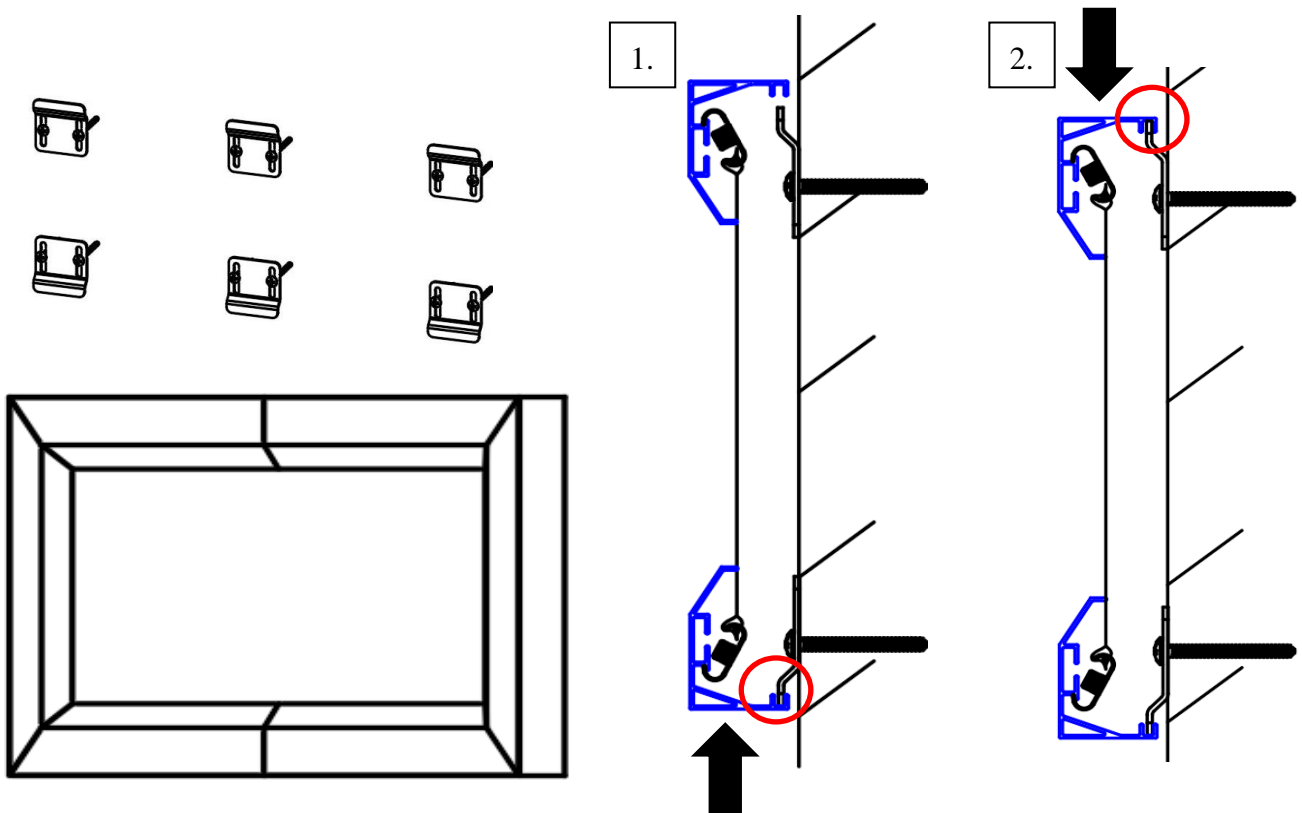
Step 12 Measure the overall length and height of the frame and drill holes for the top brackets. Line up the wall brackets with the drilled holes on the installation location and screw them in using a Phillips screwdriver. If not installing into a structural wood stud, use a hollow wall anchor then screw in the M5x50 wood screws with a screwdriver. Make sure the brackets are leveled.

Diagonal Models above 150" require 6 x wall brackets



Model/Size	X = Wall bracket distance	X1 = Bracket hole distance	Y = Top/Bottom Wall Bracket Height
165"	1000mm (39.37")	30mm (1.18")	2290mm (90.15")
180"	1100mm (43.30")	30mm (1.18")	2280mm (89.76")

Step 13 Position the fixed frame screen onto the top of the bottom wall brackets (fig 1) as shown below and push down at the center of the top of the frame (fig 2) to secure.



For Technical Support or an EPV Screens contact in your area,

visit www.epvscreens.com