

Ceiling Trim Kit

For recessing Targa and Premier projection screens

INSTRUCTIONS INSTALLATION & OPERATION

⚠ CAUTION ⚠

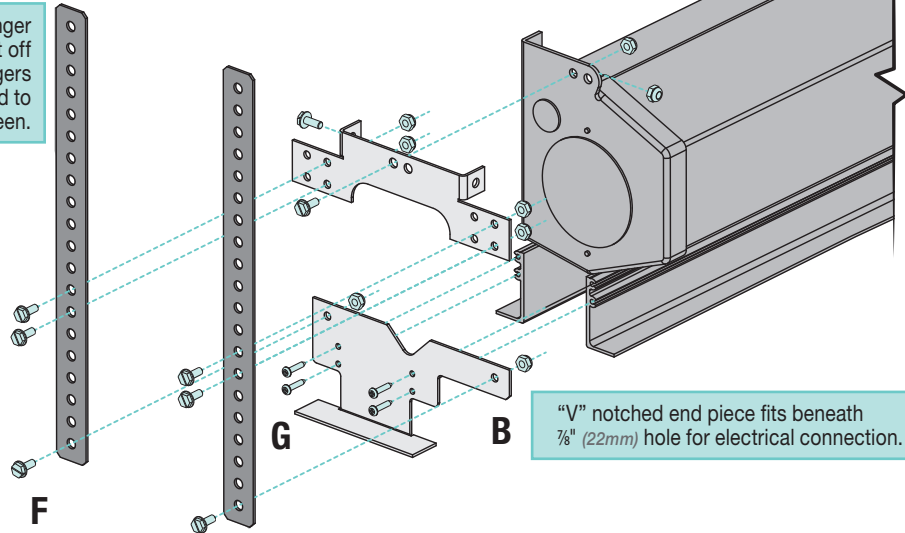
1. Read instructions through completely before proceeding.
2. Follow instructions carefully. Installation contrary to instructions invalidates warranty.
3. Should be installed level (*using a carpenter's level*).
4. Before assembling ceiling slot trim kit, slot fascia must be cut to size (*see drawings*).
5. Mount ceiling slot trim kit to screen case before suspending case.
6. Hardware for assembling ceiling slot trim kit and attaching to screen case is provided; installer is responsible for providing appropriate hardware for suspending or otherwise mounting screen case.
7. Please also refer to the drawing on page 2.

Please Note: Ceiling Trim Kit **NOT FOR USE** on Targa XL and Premier XL screens.

The Ceiling Opening Trim Kit is for use in an acoustical, drop ceiling only. Not recommended for drywall or hard ceilings.

Please Note: Case Attachment Brackets (H) have two attachment holes. If not using Rigid Perforated Straps (D) to suspend screen, refer to specific screen instructions for details on which hole can be used for attaching ceiling slot kit to screen case.

Excess metal hanger material can be cut off or folded over. Hangers can also be used to suspend screen.



"V" notched end piece fits beneath $\frac{7}{8}$ " (22mm) hole for electrical connection.

Please Note: For the largest size trim kit - 174" (4.42m) - two Anti-Deflection Brackets are also provided. For installation details, see page 2.

Assemble ceiling slot trim kit and attach to screen case before suspending screen case.

Slot fascia may need to be cut to proper width. Measure total case width (from outer edges of endcaps) and cut slot fascia to match that width. Make sure cuts are square.

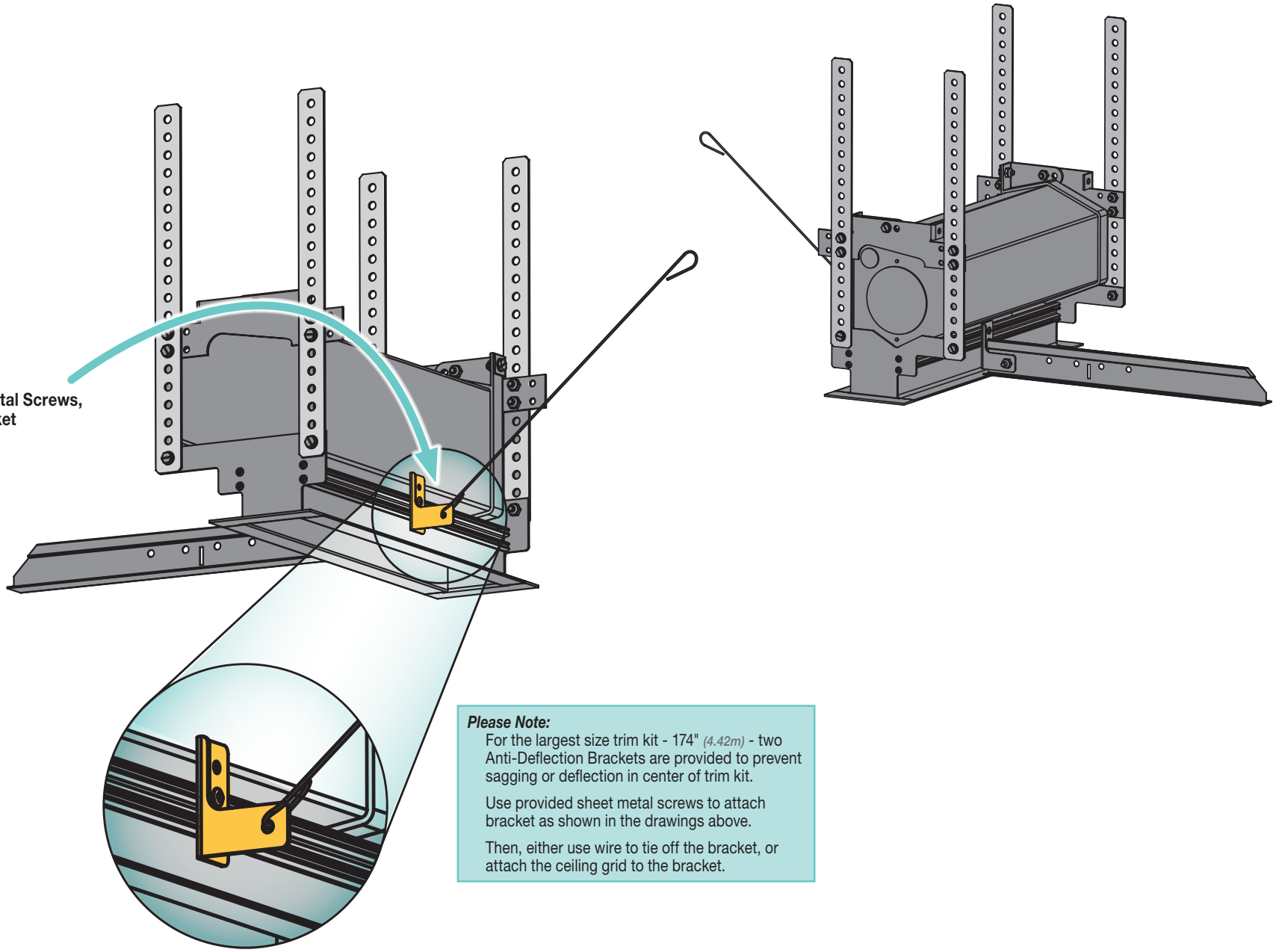
Parts List

- A** Slot Fascia (2)
- B** Left Fascia Bracket (1)
- C** Right Fascia Bracket (1)
- D** Rigid Perforated Strap (4)
- E** 10-32 Nylon Insert Lock Nut (10)
- F** Hex Head Screw #10-32 x .5" (12.7mm) Long (16)
- G** Cross Head Screw #6-32 x $\frac{3}{4}$ " (19mm) Long (8)
- H** Case Attachment Bracket (2)

If you have any difficulties installing or servicing your Ceiling Trim Kit, call your dealer or Draper, Inc.

Ceiling Trim Kit Instructions

#6-1/4" (6mm) Sheet Metal Screws,
Anti-deflection Bracket



Please Note:

For the largest size trim kit - 174" (4.42m) - two Anti-Deflection Brackets are provided to prevent sagging or deflection in center of trim kit.

Use provided sheet metal screws to attach bracket as shown in the drawings above.

Then, either use wire to tie off the bracket, or attach the ceiling grid to the bracket.