

Targa

Electrically operated projection screen with motor-in-roller

SUBMITTAL

TECHNICAL INFO

Please check all appropriate selections and attach room schedule with verified dimensions.

Specifications

_____ (Qty.) Projection screens, size _____ h. x _____ w.,
Electrically operated, motorized, surface mounted, vertical roll up projection screen.

ELECTRIC OPERATOR: Tubular motor concealed inside screen roller tube.
Location: [Left hand: standard] [Right hand: As scheduled].

STANDARD MOTOR: Mounted inside screen roller on rubber isolation insulators.
Motor UL certified, rated 110-120V AC, 60 Hz, 1.1 Amp current draw. Three wire,
instantly reversible, lifetime lubricated with pre-set accessible limit switches.

QUIET MOTOR: Mounted inside screen roller on rubber isolation insulators.
Motor operates at 44dB. UL certified, rated 110-120V AC, 60 Hz, three wire, instantly
reversible, lifetime lubricated with pre-set accessible limit switches.

CASE: One-piece, 22-gauge steel with flat back design. Endcaps finished to match
case, forming universal wall or ceiling hanging brackets. Case size 5 7/8" high x 5 1/4" deep
(149mm high x 133mm deep).

FINISH: [White (standard)] [Black] scratch-resistant polyester finish.

ROLLER: 3" (76mm) dia. Metal roller, mounted on rubber insulated supports.

VIEWING SURFACE ATTACHMENT: Viewing surface attached to roller using
double-sided tape. Bottom of viewing surface attached to weighted dowel.

VIEWING SURFACE: Fire retardant and mildew resistant. Matt White XT1000E
and Contrast Grey XH800E viewing surfaces are certified to GREENGUARD GOLD
standards for low chemical emissions into indoor air during product usage.
For more information, visit ul.com/gg.

Please Note: Matt White XT1000E surfaces up to 10' (305cm) high will be seamless.

CONTROL: 3-position control switch to stop or reverse screen at any point. Switch
complete with cover plate. Other control options available.

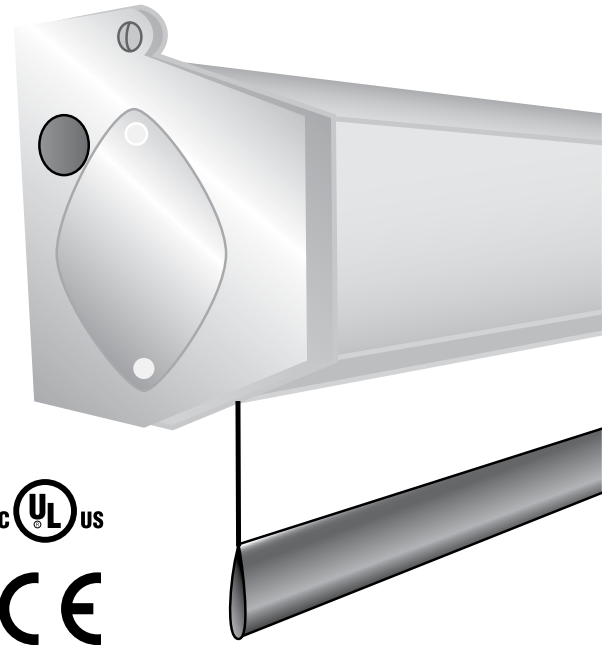
MOUNTING: [Wall/Ceiling (standard)]. Attachment hardware provided by installer.

OPTIONAL EXTENSION BRACKETS: Plastic brackets provide 6" (152mm)
clearance from wall. Finish: [white] [black].

OPTIONAL FLOATING MOUNTING BRACKETS: For use when stud
location is not convenient for built-in mounting brackets. Brackets mount to wall studs
or other support structure. Screen case mounts to brackets with secure floating bands.

OPTIONAL CEILING OPENING TRIM KIT: Trims opening when screen is to
be recessed above the ceiling. Aluminum with white finish.

Please Note: Ceiling Opening Trim Kit is for use in an acoustical, drop ceiling only.
Not recommended for drywall or hard ceilings.



PATENT INFORMATION: <http://www.draperinc.com/legal/patents>

DOWNLOADABLE 3-PART SPECIFICATIONS:
www.draperinc.com/documents.aspx

Entire unit certified by Underwriters' Laboratories, Inc. for the U.S. and Canada.

Please note: Dimensions of rollers, operators, and hardware at manufacturer's
discretion.

Select Viewing Surface:

- Matt White XT1000E (1.0 gain):
GREENGUARD Gold certified
(Through 8' x 10' (2.4m x 3m))
- Contrast Grey XH800E (0.8 gain):
GREENGUARD Gold certified
- Pearl White CH1900E (1.9 gain)
- ClearSound White Weave XT900E
(0.9 gain)
- ClearSound Grey Weave XH600E
(0.6 gain)
- Chroma Key Green
- Other: _____



Optional Accessories

- Mounting Brackets
 - 6" (152mm) Extension Bracket
 - Black White
 - Floating Mounting Brackets (for wall and ceiling)
 - Black White
- Additional Drop _____ (Beyond standard 12" (30cm))
- Total Drop _____ (Standard 12" (30cm) + Additional drop)
 - Black (standard)
 - Same color as viewing surface (Total screen height cannot exceed 12' (3.7m); extra drop increases length of case)
- Black Masking Borders (Optional on AV format sizes; standard all others)
- Optional Ceiling Opening Trim Kit for Recessed Installations

Please Note: Draper® recommends 12" (30cm) extra drop when ordering
Ceiling Opening Trim Kit. The Ceiling Opening Trim Kit is for use in an
acoustical, drop ceiling only. Not recommended for drywall or hard
ceilings.



Draper, Inc. | 411 S. Pearl St. Spiceland, IN 47385
draperinc.com | 765.987.7999 | 800.238.7999
© 2023 All Rights Reserved | FORM: Targa_Sub23

PROJECT: _____

ARCHITECT: _____

CONTRACTOR: _____

SUPPLIER: _____

DATE: _____ REVISED: _____

Select Motors and Controls:

Standard Voltage Motor and Control Options:

- 110-120V AC (standard)
- Optional Quiet Motor¹
- Optional 220V motor
- Optional 220V Quiet Motor

Please Note: These motors come with one 110V-120V AC 3-position wall switch (silver wall plate with black rocker).

- Single Station Wall Switch (standard)
- Substitute white switch(es) for silver wall plate with black rocker
- Optional Key Operated Switch
 - Power Supply Key Switch (on-off)
 - 3-Position Key Control
 - 3-Position Switch with Hinged Key-Locking Coverplate

Please Note: Do not wire motors in parallel.

Please Note: Additional information about wiring is available on installation instructions for this product.

¹ Quiet Motor Size Limitations

OPT/VIEW SURFACES:	AV	NTSC	HDTV	16:10
	144" x 144"	200"	184"	189"

² Quiet Motor w/ Internal LVC Size Limitations

OPT/VIEW SURFACES:	AV	NTSC	HDTV	16:10
	108" x 144"	180"	184"	165"

Low-Voltage Control Options:

- Internal LVC-IV (Low-Voltage Control Module)
- External LVC-IV (Low-Voltage Control Module)
- Motor with Built-in Low-Voltage Controller (ILT motor)
 - Plug & Play option
- Quiet motor with Low-Voltage Controller (Quiet ILT)²
 - Plug & Play option

Please Note: Select Control Options for Low-Voltage from below.

- 24 Volt 3-Button Switch (standard)
Number of 24V switches: _____
- Radio Frequency Remote Control (only with 24V)
- Infrared Remote Control (only with 24V)
- Optional Key Operated Switch
 - Power Supply Key Switch (on-off)
 - 24 Volt 3-Button Switch with Hinged Key-Locking Coverplate
Number of 24V switches: _____

Dimensions & Data

NOMINAL DIAGONAL	IMAGE AREA [H X W]	OVERALL SIZE	CASE LENGTH	NET WT.	QTY.
16:10 Format					
76" ³ (193cm)	40" x 64" (101.6cm x 162.6cm)	52" x 69½" (132.1cm x 176.5cm)	76½" (194.3cm)	34 lb (15.4kg)	
85" (215.9cm) ³	45" x 72" (114.3cm x 182.9cm)	57" x 74" (144.8cm x 188cm)	81" (205.7cm)	36 lb (16.3kg)	
94" (238.7cm) ³	50" x 80" (127cm x 203.2cm)	62" x 83½" (157.5cm x 212.1cm)	90½" (229.9cm)	40 lb (18.7kg)	
109" (276.9cm) ³	57½" x 92" (146cm x 233.7cm)	69½" x 96" (176.5cm x 243.8cm)	103" (261.6cm)	44 lb (20kg)	
113" ³ (287cm)	60" x 96" (152.4cm x 243.8cm)	72" x 100" (182.9cm x 254cm)	107" (271.8cm)	45 lb (20.4kg)	
123" (312.4cm)	65" x 104" (165.1cm x 264.2cm)	69" x 108" (175.3cm x 274.3cm)	115" (292.1cm)	46 lb (10.9kg)	
137" (348cm)	72½" x 116" (184.2cm x 294.6cm)	76½" x 120" (194.3cm x 304.8cm)	127" (322.6cm)	54 lb (24.5kg)	
165" (419.1cm)	87½" x 140" (222.2cm x 355.6cm)	92½" x 144" (235cm x 365.8cm)	151" (383.5cm)	70 lb (31.8kg)	
189" (480cm)	100" x 160" (254cm x 406.4cm)	105" x 164" (266.7cm x 416.6cm)	171" (434.3cm)	85 lb (38.6kg)	

NOMINAL DIAGONAL	IMAGE AREA [H X W]	OVERALL SIZE	CASE LENGTH	NET WT.	QTY.
4:3 NTSC Video Format					
6' (182.8cm)	42½" x 56½" (108cm x 143.5cm)	46½" x 59½" (118.1cm x 151.1cm)	66½" (168.9cm)	30 lb (13.6kg)	
7' (213.4cm)	50" x 66½" (127cm x 168.9cm)	53½" x 69½" (135.9cm x 176.5cm)	76½" (194.3cm)	35 lb (15.9kg)	
100" (254cm)	60" x 80" (152.4cm x 203.2cm)	64" x 83½" (162.6cm x 212.1cm)	90½" (229.9cm)	40 lb (18.7kg)	
10' (304.8cm)	69" x 92" (175.3cm x 233.7cm)	73" x 96" (185.4cm x 243.8cm)	103" (261.6cm)	44 lb (20kg)	
11' (335.3cm)	78" x 104" (198.1cm x 264.2cm)	83" x 108" (210.8cm x 274.3cm)	115" (292.1cm)	47 lb (21.3kg)	
150" (381cm)	87" x 116" (221cm x 294.6cm)	92" x 120" (233.7cm x 304.8cm)	127" (322.6cm)	54 lb (24.5kg)	
15' (457.2cm)	105" x 140" (266.7cm x 355.6cm)	109" x 144" (276.9cm x 365.8cm)	151" (383.5cm)	61 lb (27.7kg)	
200" (508cm)	118" x 158" (299.7cm x 401.3cm)	123" x 162" (312.4cm x 411.5cm)	169" (429.3cm)	77 lb (34.9kg)	

³ These sizes include 12" (30cm) black drop as standard.
Targa screens are available in larger sizes. See Premier XL and Targa XL submittal form.

Custom Size

--	--	--	--	--	--

NOMINAL DIAGONAL	IMAGE AREA [H X W]	OVERALL SIZE	CASE LENGTH	NET WT.	QTY.
16:9 HDTV Format					
73" (185.4cm) ³	36" x 64" (91.4cm x 162.6cm)	48" x 69½" (121.9cm x 176.5cm)	76½" (194.3cm)	34 lb (15.4kg)	
82" (208.3cm) ³	40½" x 72" (102.9cm x 182.9cm)	52½" x 74" (133.4cm x 188cm)	81" (205.7cm)	36 lb (16.3kg)	
92" (233.7cm) ³	45" x 80" (114.3cm x 203.2cm)	57" x 83½" (144.8cm x 212.1cm)	90½" (229.9cm)	40 lb (18.7kg)	
100" (254cm) ³	49" x 87" (124.5cm x 221cm)	61" x 91" (154.9cm x 231.1cm)	98" (248.92cm)	43 lb (19.5kg)	
106" (269.2cm) ³	52" x 92" (132.1cm x 233.7cm)	64" x 96" (162.6cm x 243.8cm)	103" (261.6cm)	43 lb (19.5kg)	
110" (279.4cm) ³	54" x 96" (137.2cm x 243.8cm)	66" x 100" (167.6cm x 254cm)	107" (271.8cm)	45 lb (20.4kg)	
119" (302.3cm)	58" x 104" (147.3cm x 264.2cm)	62" x 108" (157.5cm x 274.3cm)	115" (292.1cm)	46 lb (10.9kg)	
133" (337.8cm)	65" x 116" (165.1cm x 294.6cm)	69" x 120" (175.3cm x 304.8cm)	127" (322.6cm)	54 lb (24.5kg)	
161" (408.9cm)	79" x 140" (200.7cm x 355.6cm)	84" x 144" (213.4cm x 365.8cm)	151" (383.5cm)	70 lb (31.8kg)	
184" (467.4cm)	90" x 160" (228.6cm x 406.4cm)	95" x 164" (241.3cm x 416.6cm)	171" (434.3cm)	77 lb (34.9kg)	

SIZE [H X W]

CASE LENGTH

NET WT.

QTY.

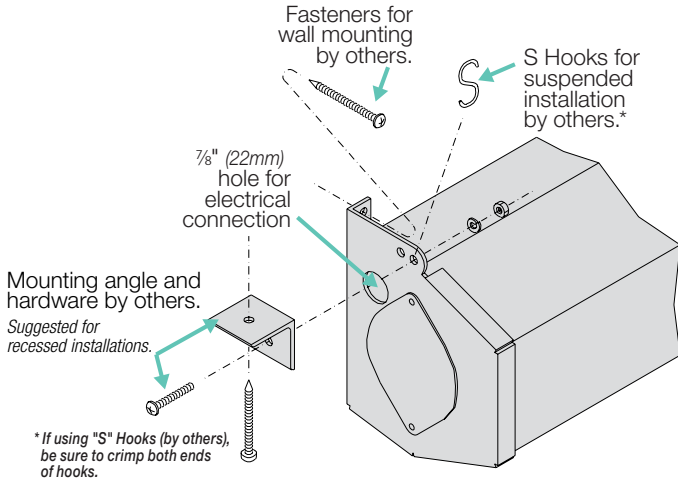
AV Format

70" x 70" (177.8cm x 177.8cm)	76½" (194.3cm)	35 lb (15.9kg)	
84" x 84" (213.4cm x 213.4cm)	90½" (229.9cm)	40 lb (18.7kg)	
72" x 96" (182.9cm x 243.8cm)	103" (261.6cm)	44 lb (20kg)	
96" x 96" (243.8cm x 243.8cm)	103" (261.6cm)	45 lb (20.4kg)	
7' x 9' (213.4cm x 274.3cm)	115" (292.1cm)	47 lb (21.3kg)	
9' x 9' (274.3cm x 274.3cm)	115" (292.1cm)	49 lb (22.2kg)	
8' x 10' (243.8cm x 304.8cm)	127" (322.6cm)	54 lb (24.5kg)	
10' x 10' (304.8cm x 304.8cm)	127" (322.6cm)	58 lb (26.3kg)	
9' x 12' (274.3cm x 365.8cm)	151" (383.5cm)	61 lb (27.7kg)	
12' x 12' (365.8cm x 365.8cm)	151" (383.5cm)	74 lb (33.6kg)	

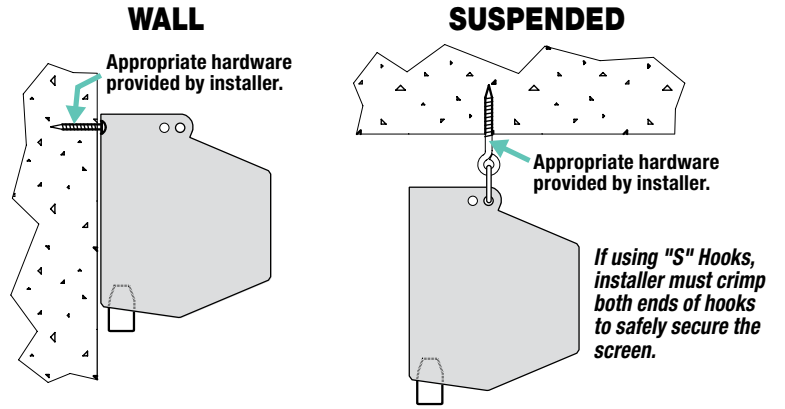
Custom Size

--	--	--	--

Methods of Installation

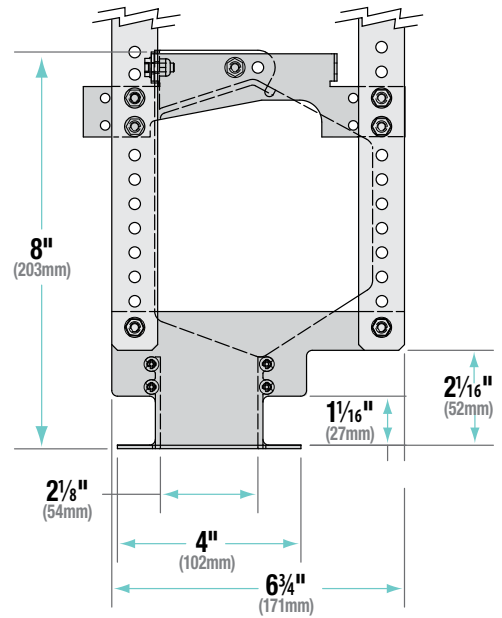
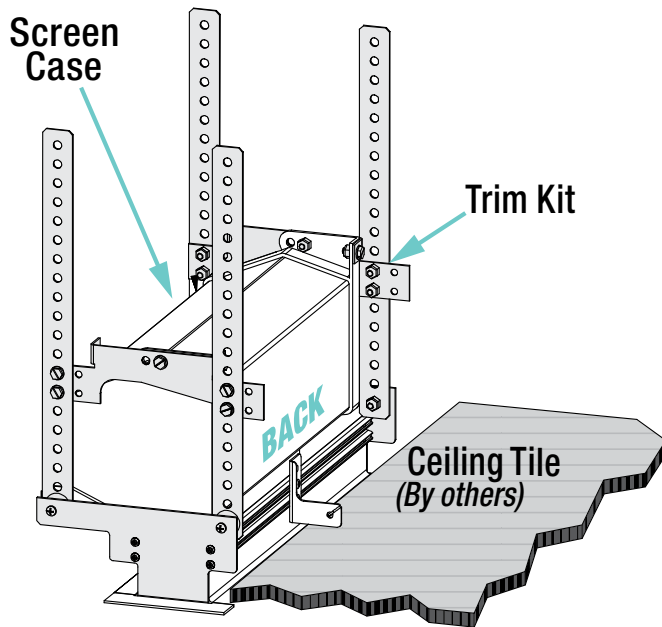


Types of Installation

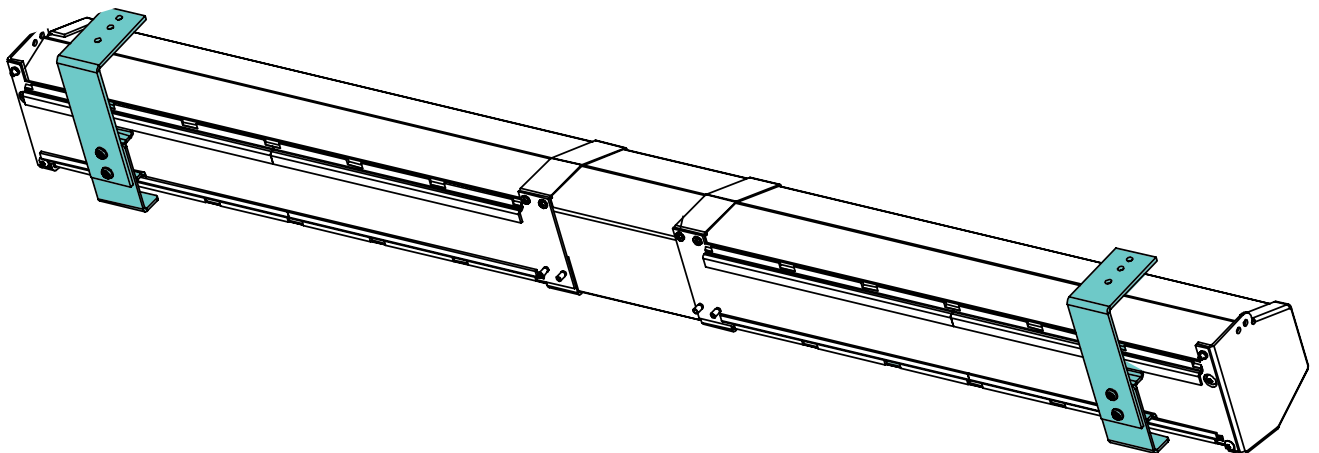


Please Note: If using "S" Hooks, installer must crimp both ends of the "S" hooks to safely secure the screen.

Optional Ceiling Opening Trim Kit



Optional Floating Mounting Bracket



Case Dimensions

PLEASE NOTE: Internal LVC-IV will increase overall case length by $1\frac{13}{16}$ " (46mm).

