

LWSR Assembly Instructions

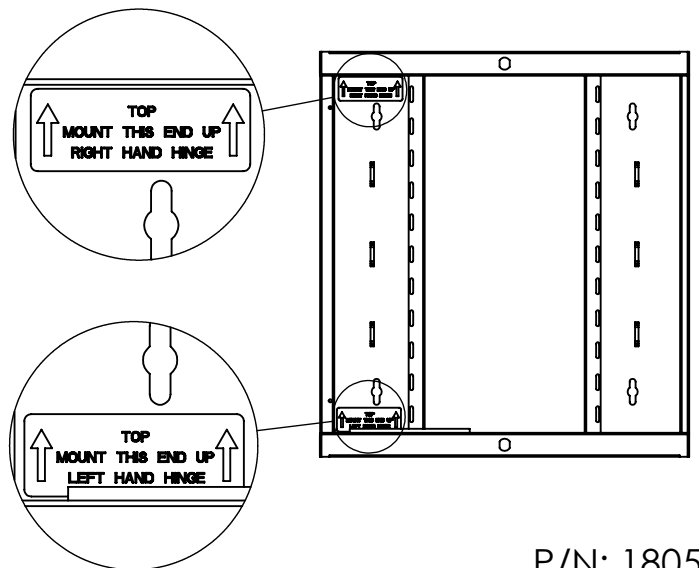
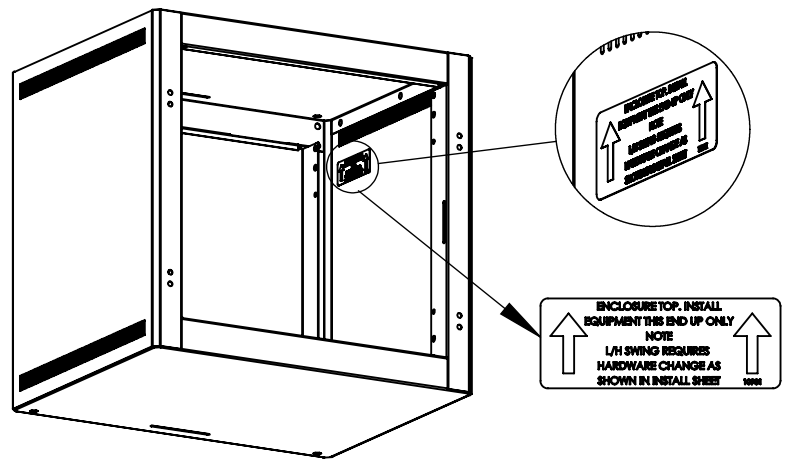
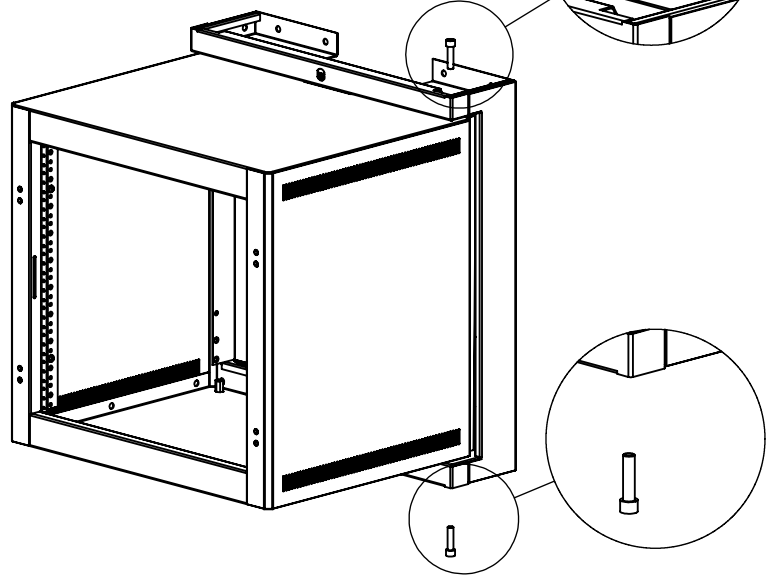
The assembly is configured to allow the cabinet section to swing to the right.

To mount the back box on the wall the bolts on the top and bottom of the back box and nuts on the inside of the cabinet may be removed if necessary.

The allen wrench required to do this is supplied with the cabinet.

The cabinet section can not be inverted. A label on the inside of the cabinet indicates the way the cabinet must be orientated.

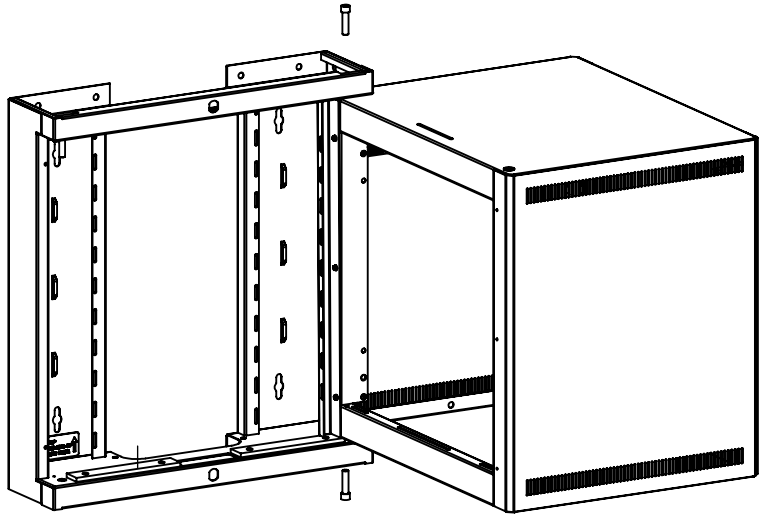
The back box section has labels showing how it must be oriented to allow the cabinet section to swing to the right or the left. Warning, the back box must be securely mounted to the wall before installing the cabinet section.



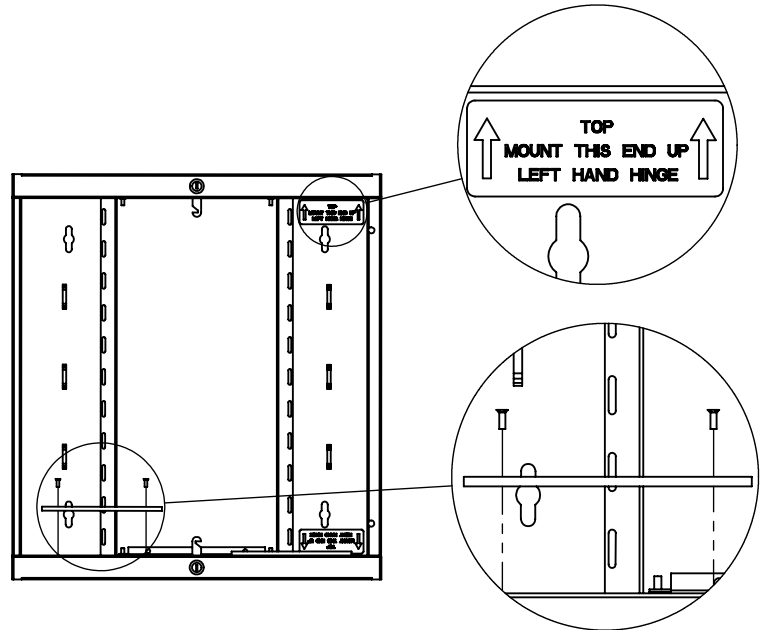
P/N: 18059

LWSR Assembly Instructions

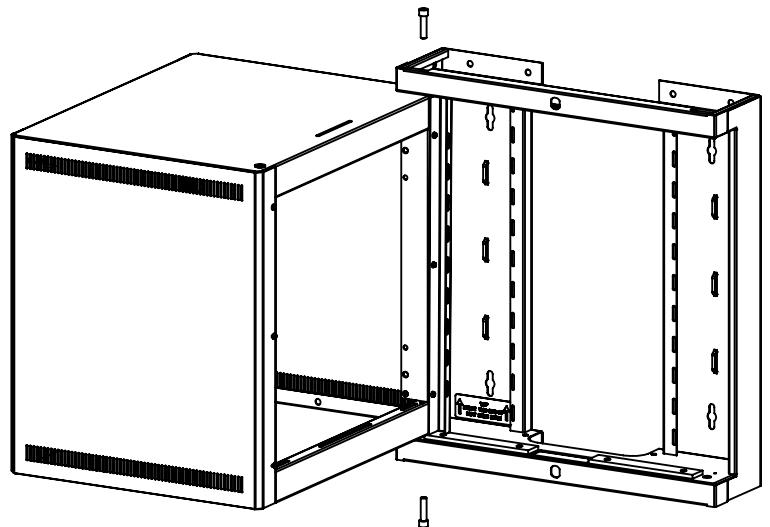
When mounting the cabinet for a right hand swing orient the back box properly according to the labels provided. Insert the cabinet (as shown) and align the holes in the right side of the back box with the threaded inserts in the right rear of the cabinet. Replace the 3/8" cap screws previously removed from the assembly and secure the screws with a 3/8 lock nut.



When mounting the cabinet for a left hand swing, orient the back box as per the labels provided. Remove the plastic strips from the top of the back box and replace them in the bottom of the back box (as shown). Remove the "U" bracket attached to the rear of the cabinet and mount it on the other side of the cabinet making sure that the flanges on the bracket are turned to the inside.



Make sure the cabinet is oriented properly. Install the cabinet by centering the cabinet left rear threaded inserts between the left holes in the backbox (as shown). Insert the 3/8" cap screw. Secure each screw with a 3/8 lock nut.



P/N: 18059