

# OE-CA51WM-01

## 51-Series Wall Mount



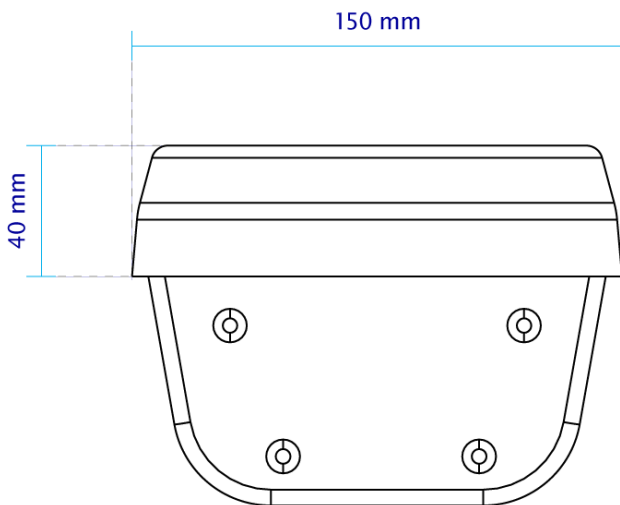
### SPECIFICATIONS

<b>Material</b>	Aluminum Alloy
<b>Color</b>	White
<b>Dimensions</b>	170 x 110 x 150 mm
<b>Weight</b>	1.45 lbs



### DIMENSIONS

Front View



Side View

