

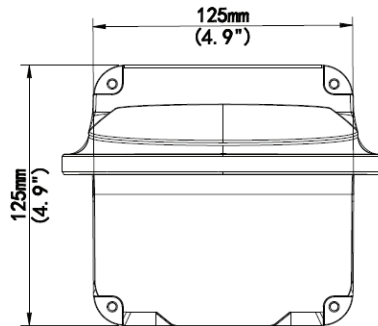
### OE-CA32WM-01

### 32-SERIES WALL MOUNT



#### DIMENSIONS

Front View



Side View

