

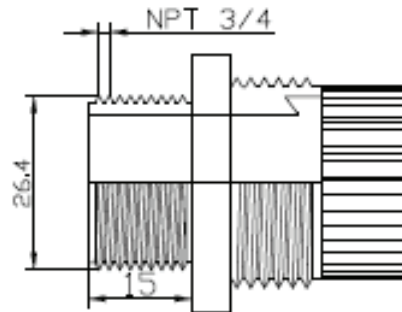
### OE-CA00WA-01

### WATERPROOF ADAPTER

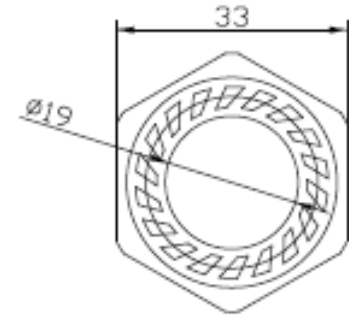


#### DIMENSIONS

##### Side View



##### Top View



##### Bottom View

