

3MP HD TRUE DAY/NIGHT IP PTZ DOME CAMERA

OE-C8213



DESCRIPTION

The OpenEye OE-C8213 IP PTZ camera provides users with crystal clear video thanks to 3MP resolution and 30x optical zoom. Continuous 360° rotation and a 190° tilt range make this camera a versatile PTZ solution for live monitoring environments. True WDR and true day/night produce superior video in a variety of lighting conditions. This camera offers PTZ operation using PoE+ power for easy single-cable installation. The Smart Compression option reduces storage requirements by up to 70% while maintaining high resolution video allowing you to meet video retention and resolution requirements for less.

All OpenEye cameras are fully ONVIF™ compliant and compatible with the OpenEye Web Services platform, allowing multiple users to view high quality images and perform setup through a remote Web browser.

FEATURES

- 3MP maximum resolution
- 4.3 ~ 170 mm focal length (30x optical zoom)
- True Day / Night (IR cut filter)
- True Wide Dynamic Range
- Full PTZ operation over PoE+
- Relay/Sensor Connections
- IP66 outdoor rating and heater
- IK10 vandal resistant rating
- 1.5-inch standard threaded mount type
- ONVIF™ Profile T / S / G compliant

SPECIFICATIONS

CAMERA	
Part Number	OE-C8213
Maximum Resolution	3MP (2048x1536)
Image Sensor	Sony 3M - 1/2.8" Progressive CMOS
Video Compression	MJPEG / H.264+ / H.265
Frame Rate	30 IPS @ 3M H.264+
ONVIF	Profile T / S / G
Streaming	Up to 4 simultaneous streams
Browser Support	Internet Explorer / Edge / Chrome / Firefox / Safari
Day / Night	True Day / Night
Wide Dynamic Range	True WDR On / Off
Lens	4.3 ~ 170 mm 30x Zoom Lens
Horizontal Field of View	Wide: 62° Tele: 2°
Min. Illumination @ 50IRE	Color: 0.04 lux, B&W: 0.002 lux @ F1.6
White Balance	Auto / Manual / ATW / One Push
Auto White Balance Range	2700K ~ 7800K
Backlight Compensation	2500K ~ 10000K
Auto Gain Control	Yes

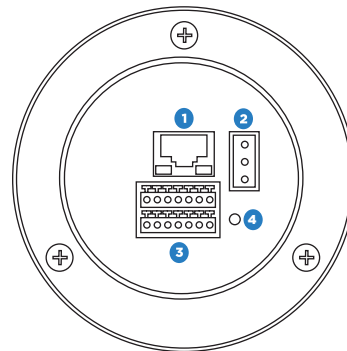
ENVIRONMENTAL	
IP Rating	IP66 Outdoor
IK Rating	IK10
Operational Temperature	-40 ~ 122°F (-40 ~ 50 °C)
Heater (Cold Start)	w/heater: -40 ~ 122 °F (-40 ~ 50 °C)

POWER	
Power Consumption	25.4W (w/Heater)
Input Voltage	802.3at PoE+ (30W) / 24vAC ± 10%
PoE Class	4

PHYSICAL	
Alarm In / Out	Input: 4 Sets / 5V 10kΩ pull up Output: 2 Set / Relay output, max. 2A DC 30V / 0.5A AC 125V
MicroSD Card Slot	SD/SDHC/SDXC 128GB support
Camera Weight	6.39 lbs (2.9 kg)
Dimensions	Ø 8.2in (210mm) H: 11.1in (279mm) w/ sunshield
Housing / Dome Cover	Plastic and Metal Housing
Tilt / Rotation	Tilt: 10° ~ 90° / Pan: 360° Endless
Country of Origin	Taiwan

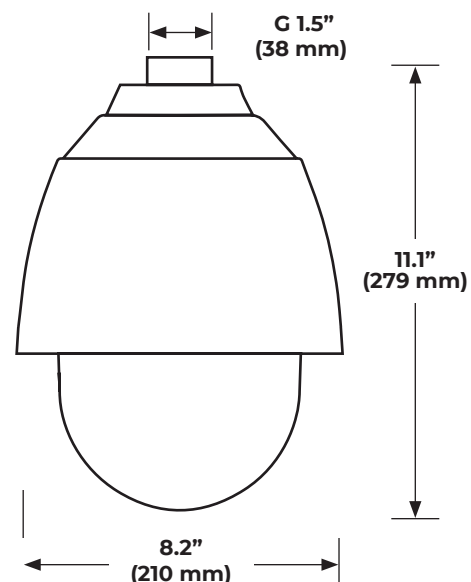
PTZ SPECS	
Control Type	PTZ control via network only
Zoom Factor	30x
Presets	256
Preset Accuracy	±.0225°
Preset Speed	5° ~ 400° / second
Pattern	8
Tour (Group)	8
Auto Scan	4
Privacy Mask	20
Home Function	Preset, Pattern, Tour, Auto-scan
Auto Flip	Image / Mechanical
Focus Mode	Auto / Manual

CONNECTIONS



RJ-45	1	For network and PoE+ connections
Power (24vAC)	2	Power supply to camera for non-PoE installations
I/O Connections	3	Alarm and RS-485 I/O connections
Reset Button		To restore the camera to factory defaults: 1. Disconnect power for 30 seconds. 2. Reconnect power and wait 30 seconds. 3. Press the reset button with a proper tool for 20 seconds.
SD Card Slot (under dome)		Supports up to 128GB microSD card for Edge storage. Do not add or remove the microSD card when the camera is powered on.

DRAWING



ACCESSORIES



OE-C8213



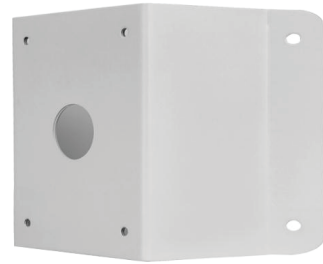
Ceiling-Mounted Pole
OE-CA00CMP-01



Indoor/Outdoor Wall Mount
OE-CA00WM-01



Indoor/Outdoor Wall Mount
OE-CA00WM-01



Corner Mount
OE-CA00CM-01



Indoor/Outdoor Wall Mount
OE-CA00WM-01



Pole Mount Kit
OE-CA00PMK-01