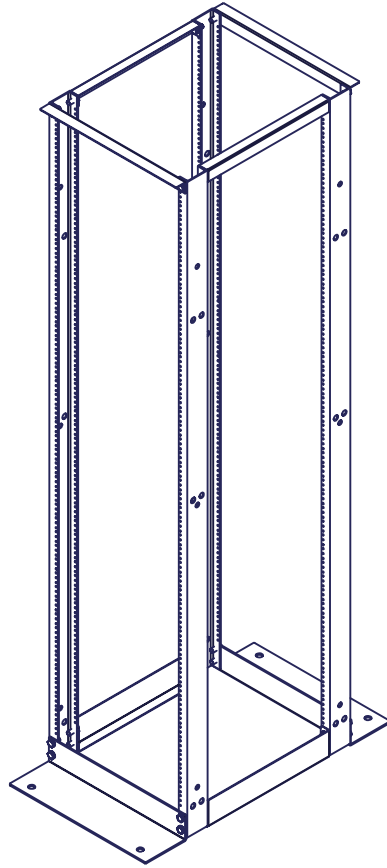
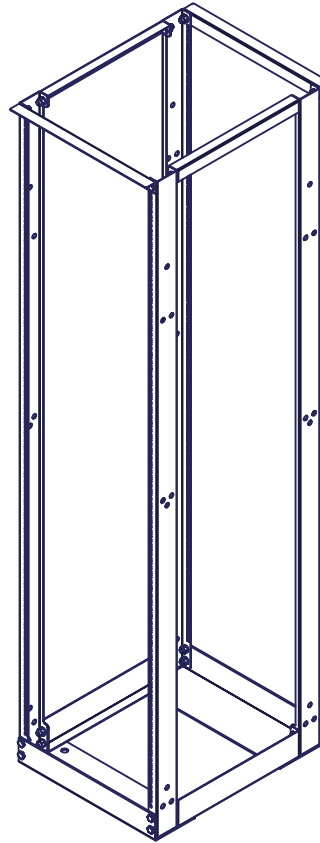


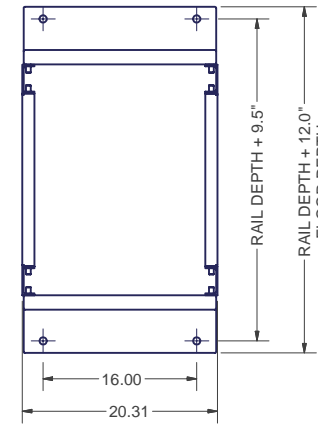
REVISION HISTORY			
REV	DESCRIPTION	DATE	APPROVED
2	ECO-01501	1/12/2005	JL



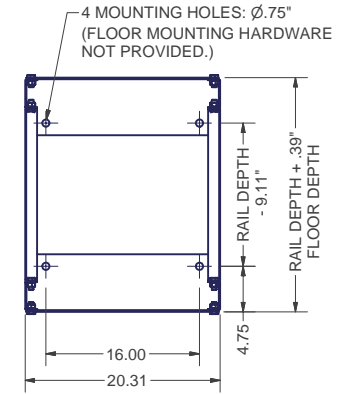
**TOE OUT MOUNTING
ISOMETRIC VIEW**



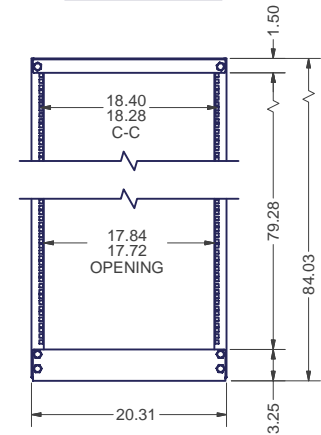
**TOE IN MOUNTING
ISOMETRIC VIEW**



**TOE OUT MOUNTING
TOP VIEW**



**TOE IN MOUNTING
TOP VIEW**



FRONT VIEW - 19" EIA MTG.

PART NO.	RAIL DEPTH	MTG. TYPE
4PM624	24	CAGE NUT - METRIC 6
4PM629	29	CAGE NUT - METRIC 6
4PM632	32	CAGE NUT - METRIC 6
4PM636	36	CAGE NUT - METRIC 6
4P122424	24	#12-24 TAPPED
4P122429	29	#12-24 TAPPED
4P122432	32	#12-24 TAPPED
4P122436	36	#12-24 TAPPED

TOOLS & INSTRUCTION:

TOOLS: 3/4" & 7/16" SOCKETS & 3/4" WRENCH.

- 1) ASSEMBLE BOTTOM & TOP WIDTH BRACKETS TO UPRIGHTS. DO NOT TIGHTEN.
- 2) ASSEMBLE TOP, FIXED DEPTH BRACKETS TO UPRIGHTS, STAND ASSEMBLY UP, BE SURE TO MAKE SQUARE & TIGHTEN.
- 3) SECURE TO FLOOR. FLOOR MOUNTING HARDWARE NOT PROVIDED. INSTALLER TO DETERMINE PER FLOOR TYPE.



INTERPRET DRAWING PER ASME Y14.5M-1994 DIMENSIONAL LIMITS APPLY AFTER APPLICATION OF FINISH DRAWING NOT TO SCALE TOLERANCE UNLESS OTHERWISE NOTED: ANGULAR +/- 1' .XXX +/- .010 .XXX +/- .015 .XX +/- .030 .X FOR REF. ONLY	UNLESS OTHERWISE SPECIFIED ALL DIMENSIONS ARE IN INCHES
--	--

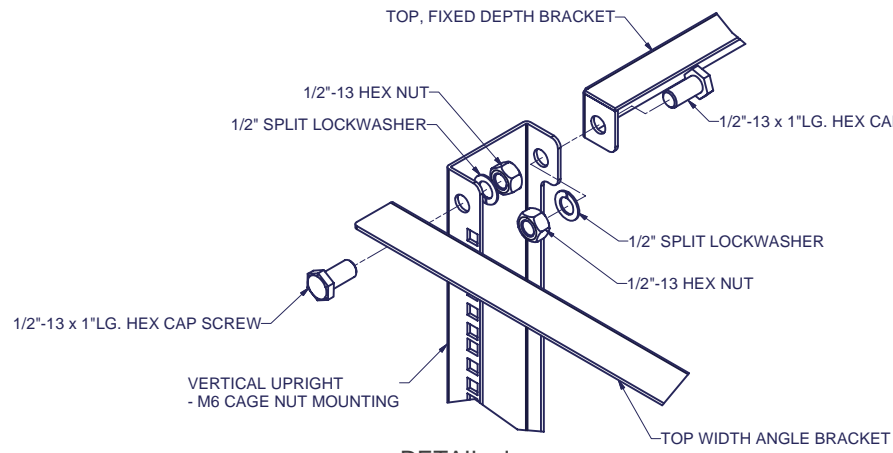
NOTICE:

Use of this document is subject to a confidentiality and nondisclosure agreement with Great Lakes Case & Cabinet Co., Inc. (GLCC) and may not be reproduced, disclosed or utilized in whole or in part without prior written authorization from GLCC.

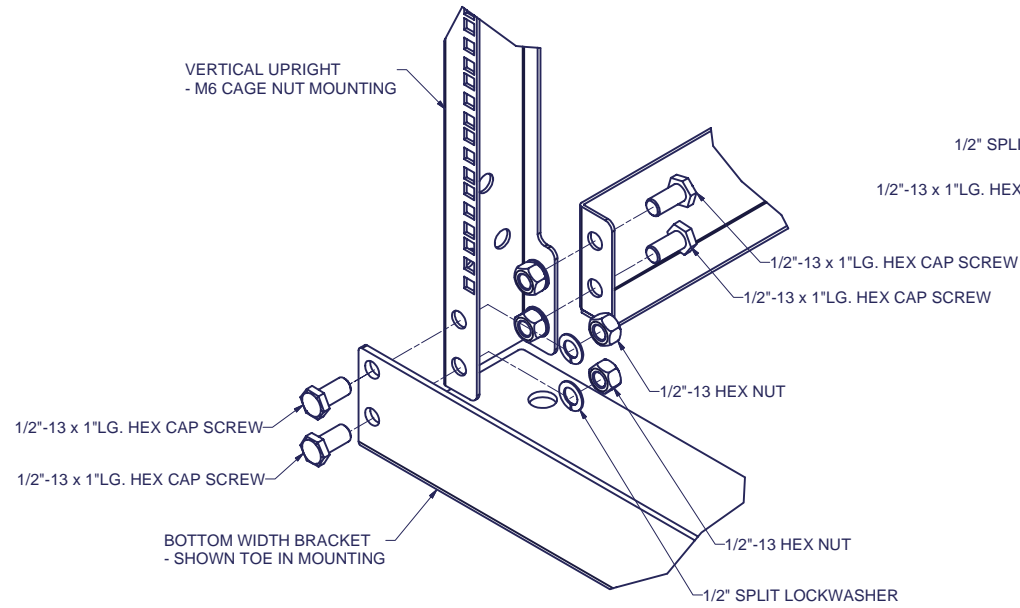
PART NUMBER:	GL4P
QTY PER UNIT:	1
MATERIAL TYPE:	N/A
MATERIAL GAUGE:	N/A
FINISH:	N/A
DRAWN	DATE
WSS	5/6/2004
CHECKED & APP.	DATE
J.A.L.	5/6/04

TITLE	4 POST RACK ASSEMBLY INSTRUCTIONS		
GREAT LAKES CASE & CABINET CO., INC.			
P.O. BOX 551 EDINBORO, PA 16412			
PHONE (814) 734-7303 FAX (814) 734-3907			
E-MAIL glcc@greatcabinets.com			
DWG NO:	REV	SHEET: 1 OF 2	
I002166	2		

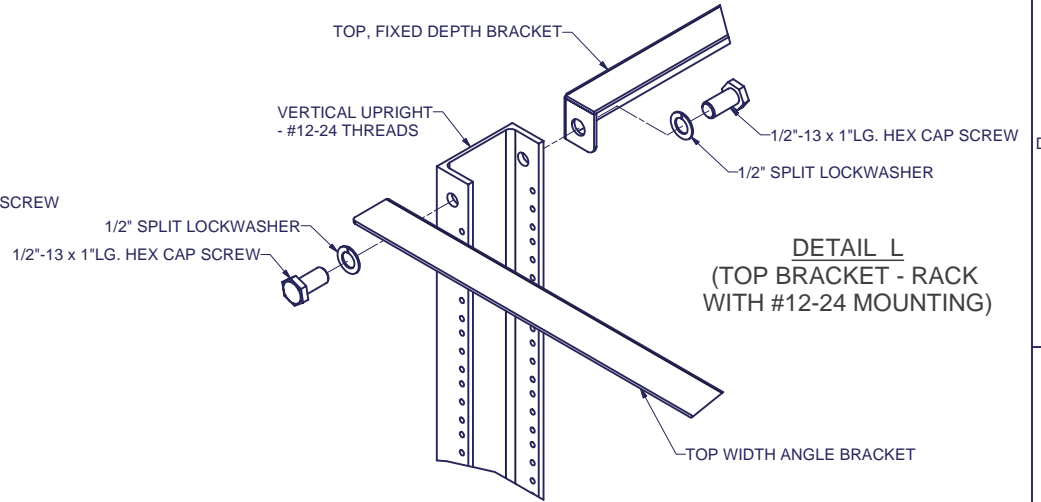
REVISION HISTORY			
REV	DESCRIPTION	DATE	APPROVED
2	ECO-01501	1/12/2005	JL



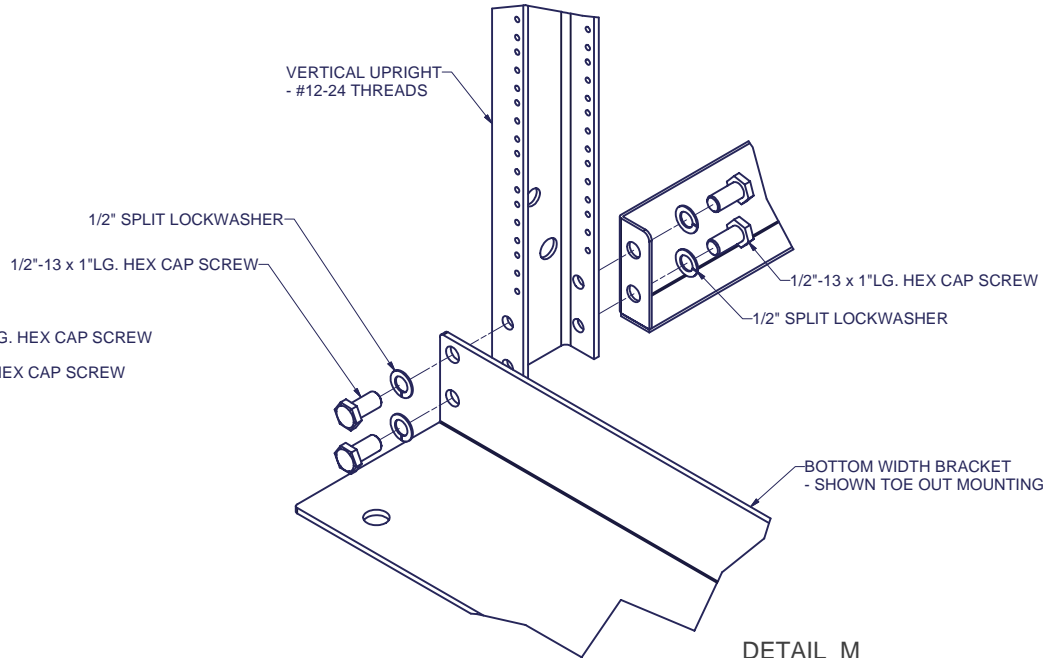
DETAIL J
(TOP BRACKET - RAILS
WITH M6 MOUNTING)



DETAIL K
(BOTTOM BRACKET - TOE IN MOUNTING
- WITH M6 MOUNTING)



DETAIL L
(TOP BRACKET - RACK
WITH #12-24 MOUNTING)



DETAIL M
(BOTTOM BRACKET - TOE OUT MOUNTING
- WITH #12-24 MOUNTING)



INTERPRET DRAWING PER ASME Y14.5M-1994
DIMENSIONAL LIMITS APPLY AFTER APPLICATION OF FINISH
DRAWING NOT TO SCALE
TOLERANCE UNLESS OTHERWISE NOTED:
ANGULAR +/- 1°
.XXXX +/- .010
.XXX +/- .015
.XX +/- .030
.X FOR REF. ONLY
UNLESS OTHERWISE SPECIFIED ALL DIMENSIONS ARE IN INCHES

NOTICE:
Use of this document is subject to a confidentiality and nondisclosure agreement with Great Lakes Case & Cabinet Co., Inc. (GLCC) and may not be reproduced, disclosed or utilized in whole or in part without prior written authorization from GLCC.

PART NUMBER: SEE CHART	
QTY PER UNIT:	1
MATERIAL TYPE:	N/A
MATERIAL GAUGE:	N/A
FINISH:	N/A
DRAWN	DATE
CA	11/7/2003
CHECKED & APP.	DATE
J.A.L.	5/6/04

TITLE 4 POST, M6 CAGE NUT, 19" EIA RACK ASSEMBLY	
GREAT LAKES CASE & CABINET CO., INC. P.O. BOX 551 EDINBORO, PA 16412 PHONE (814) 734-7303 FAX (814) 734-3907 E-MAIL glcc@greatcabinets.com	
DWG NO: 1002166	REV 2
SHEET: 2 OF 2	