

## MultiSync Sharp PN-ME<sub>xx</sub>2 Large Format Installation Guide

[Ver.1.0]

### Contents:

Product Description and Notes	Page 1
Rotation	Page 1
Ventilation Recommendations	Page 2
Display Dimensions	Pages 3-10
Optional Stand	Page 11
Optional Wall Mount Dimensions	Page 13-14
Optional Speaker Dimensions	Page 15
Input Panel	Page 16
PD Comms Tool	Page 17
Cable Connection	Page 17
Command Format and Browser Control	Page 18

### Product Description:

Type:	LCD Display
Resolution:	3840 x 2160
Aspect Ratio:	16:9
EMI:	Class B

	Dimensions (without stand)	Weight (without stand)	VESA Pattern	Power Consumption (Typical) (Max Brightness) (Absolute Max*)	BTU's (Typical) (Max Brightness) (Absolute Max*)
PN-ME432	964.6 x 552.5 x 62.0mm 37.98 x 21.75 x 2.44 in.	9.4kg. / 20.7lbs.	200mm x 200mm (M6 x 14)	90W 110W 175W	307.09 BTU/hr 375.34 BTU/hr 597.12 BTU/hr
PN-ME502	1118.6 x 639.2 x 62.0mm 44.04 x 25.17 x 2.44 in.	11.7kg. / 25.8lbs.	400mm x 400mm (M6 x 14)	85W 105W 170W	290.03 BTU/hr 358.27 BTU/hr 580.06 BTU/hr
PN-ME552	1233.0 x 703.5 x 62.0mm 48.54 x 27.70 x 2.44 in.	13.2kg. / 29.1lbs.	400mm x 400mm (M6 x 14)	120W 150W 220W	409.46 BTU/hr 511.82 BTU/hr 750.67 BTU/hr
PN-ME652	1463.3 x 838.3 x 68.0mm 57.61 x 33.00 x 2.68 in.	23.9kg. / 52.7lbs.	600mm x 400mm (M8 x 14)	140W 175W 240W	477.70 BTU/hr 597.12 BTU/hr 818.91 BTU/hr

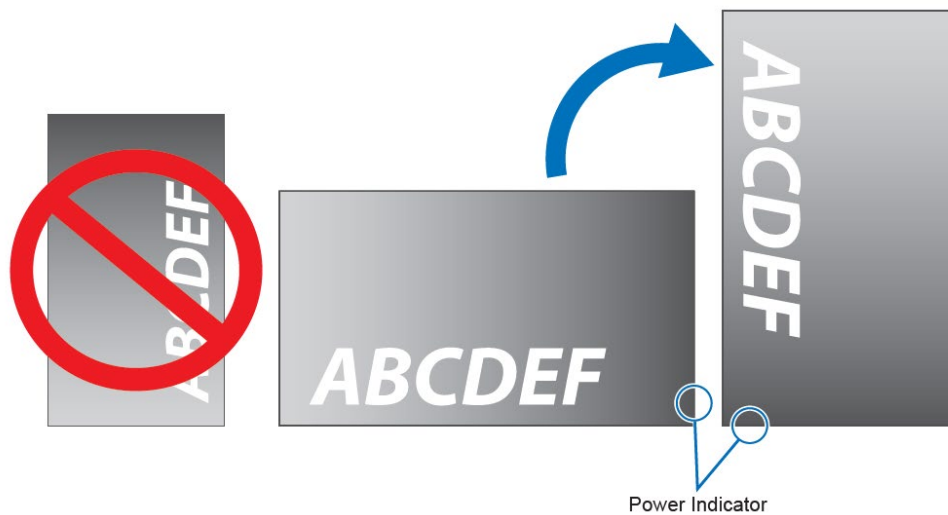
\*Absolute Max refers to when the display is at full brightness and volume at 100.

### NOTES:

- This document is intended to be used as a reference guide to supply useful information for a design or installation. It is not intended to be a step-by step procedure for installation.
- Any ceilings or walls must be strong enough to support the monitor and the installation must be in accordance with any local building codes. All mounts should make secure contact to wood studs.
- Distances are in inches, for millimeters multiply by 25.4. Distances may vary ±5%.

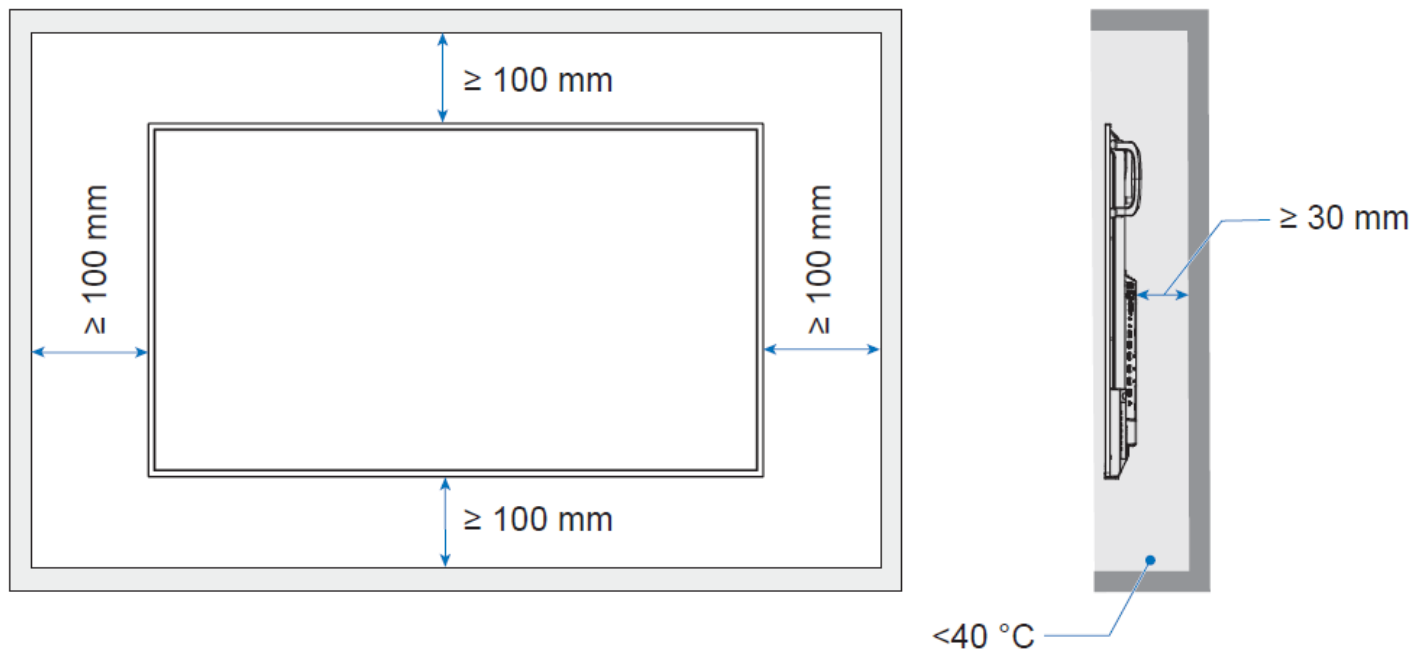
## Rotation:

- If display is to be used in portrait orientation, rotation needs to be **clockwise**.



## Ventilation Recommendations:

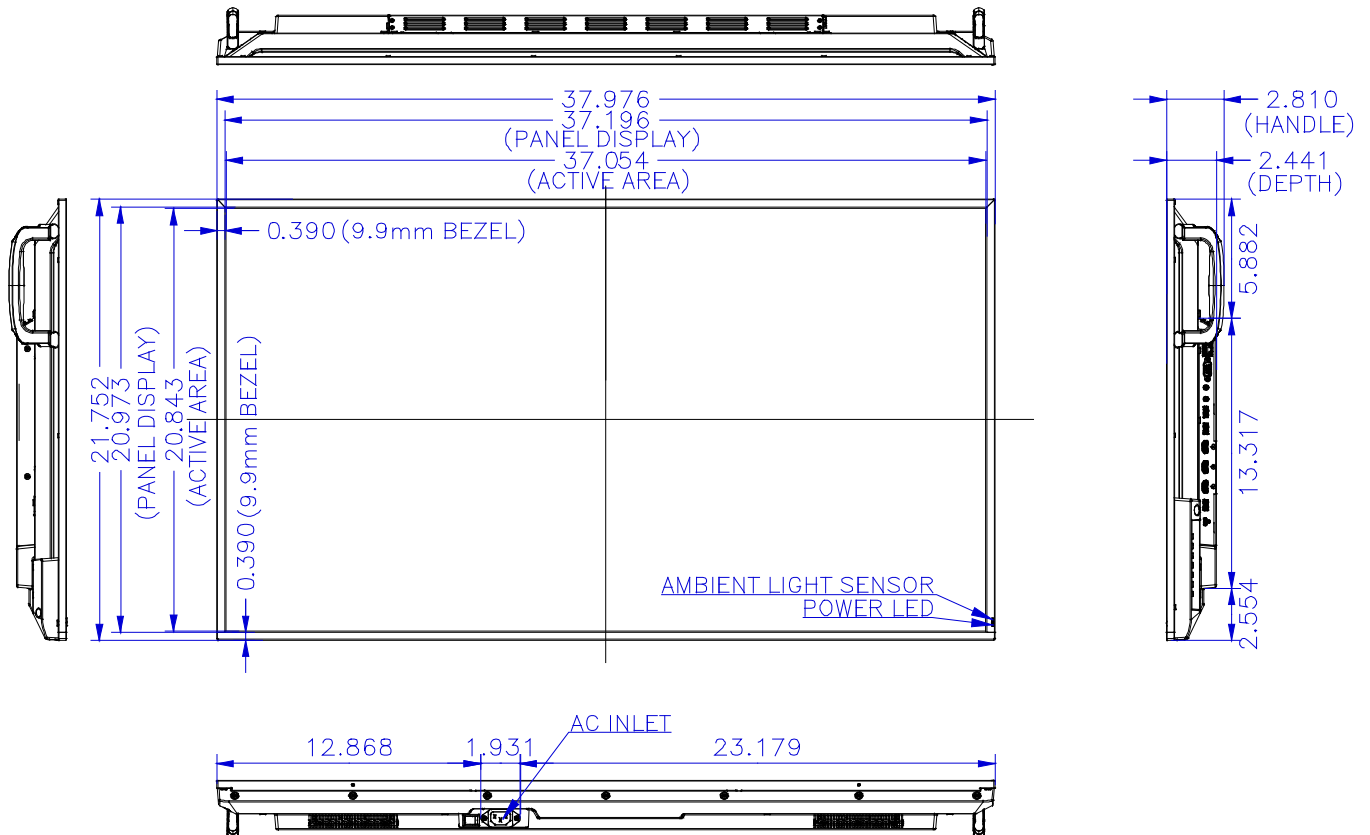
Dimensions below are minimum recommended for proper ventilation:



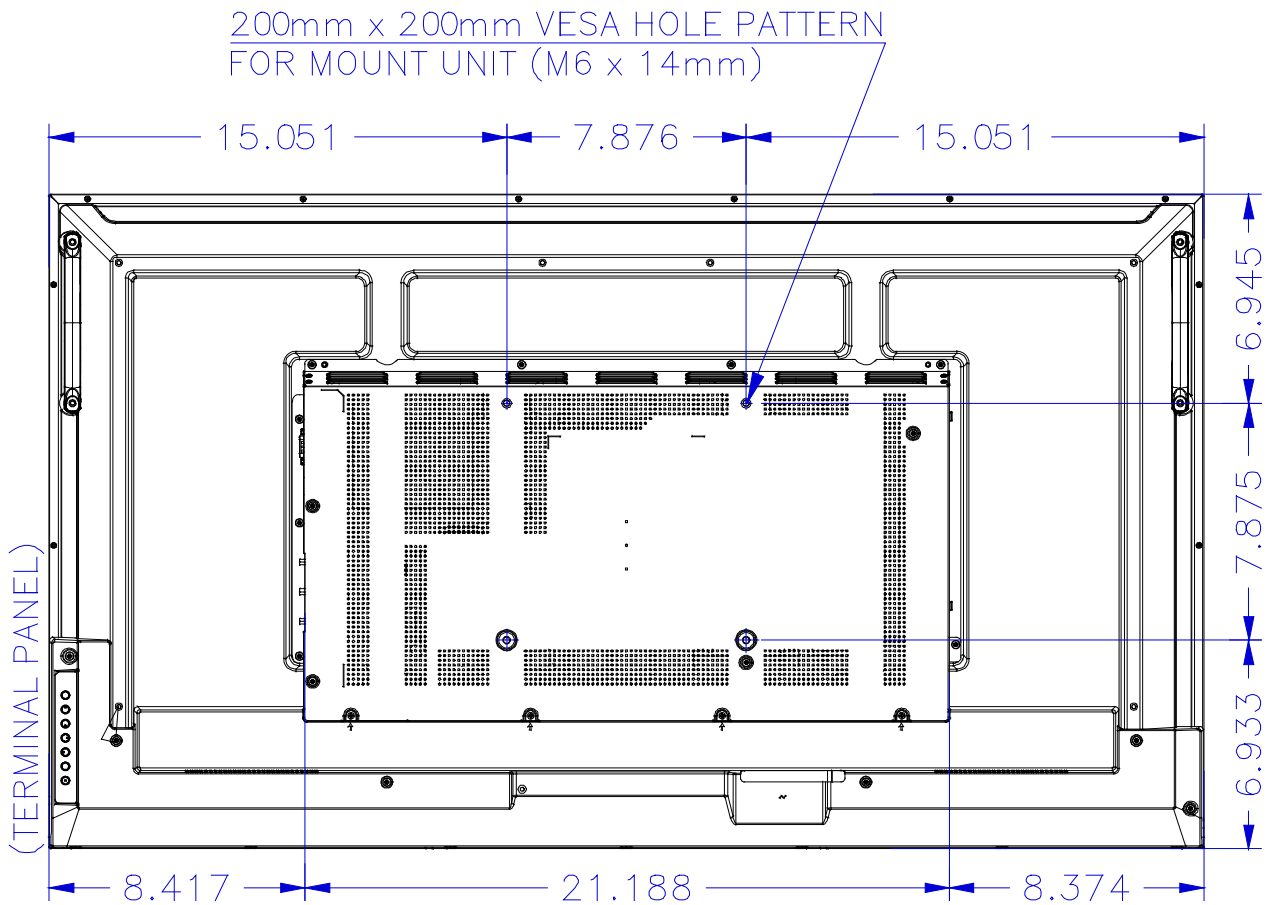
## NOTE:

- The above are recommendations in order to keep your display as cool as possible. If the distances are less than the 100mm, extra ventilation may be necessary. The ventilation space should not be covered or closed off at the front of the opening. If for some reason the opening needs to be covered, other means of ventilation will need to be incorporated into the design. Contact NEC for design review and recommendations.

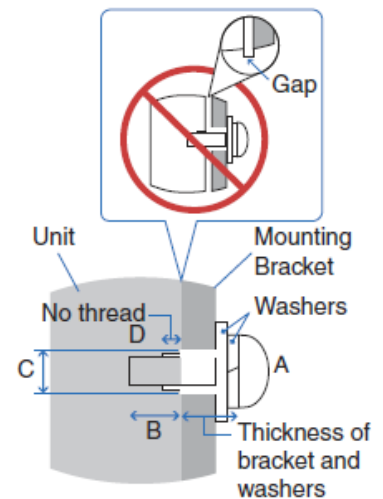
## Display Dimensions – PN-ME432:



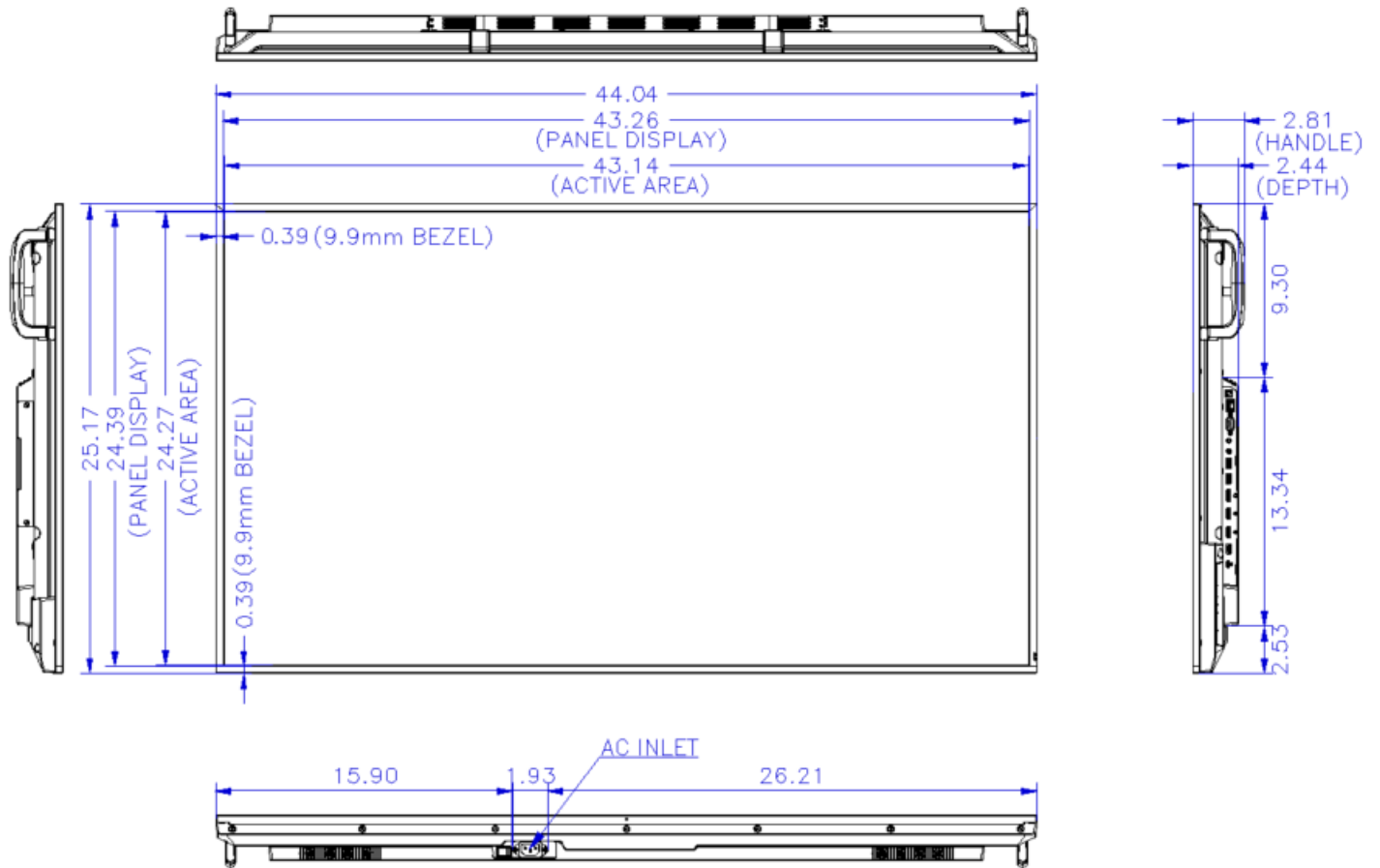
Display Dimensions – PN-ME432 cont'd:



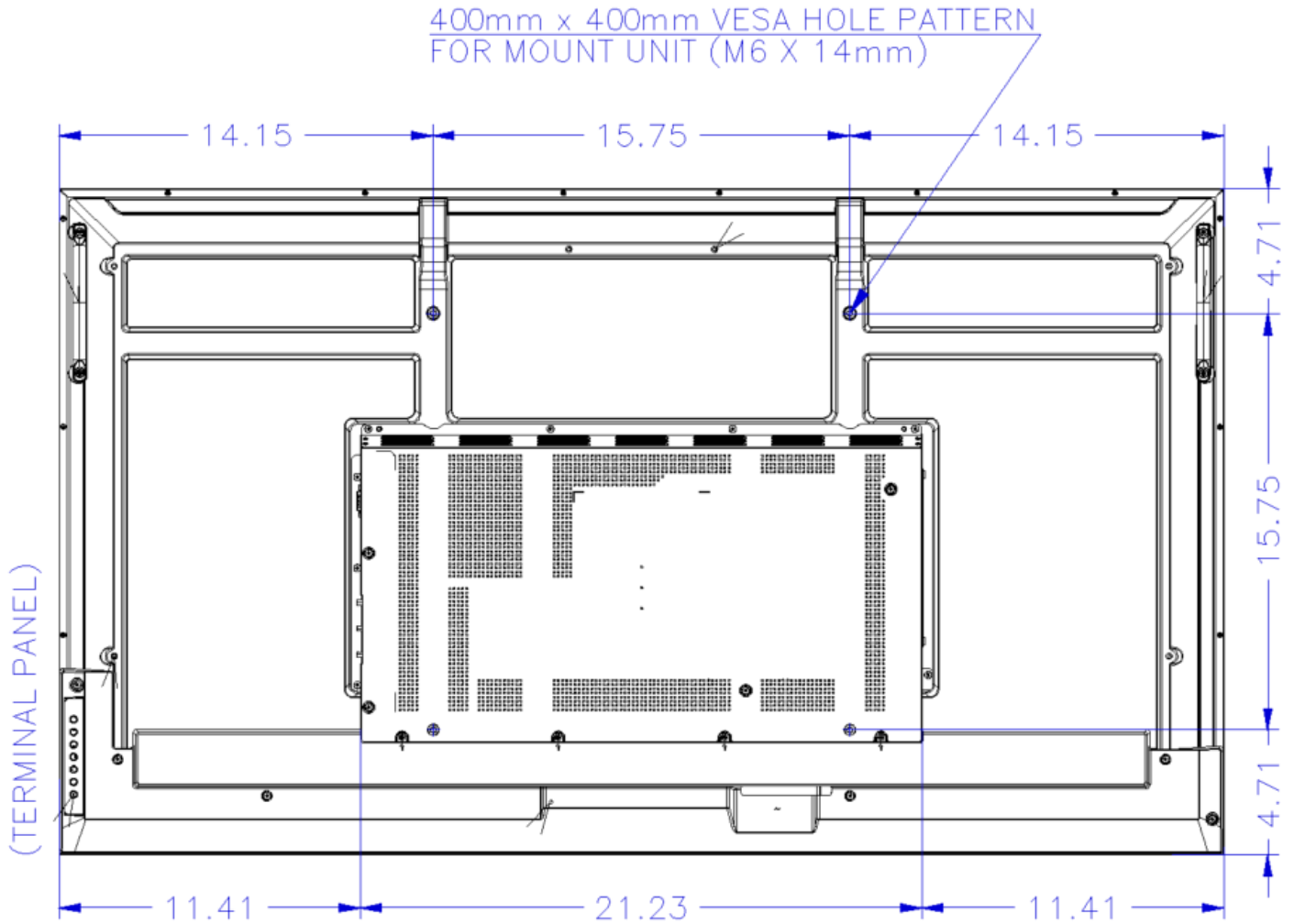
NEC strongly recommends using size M6 screws (14mm + the thickness of the bracket and washers in length).



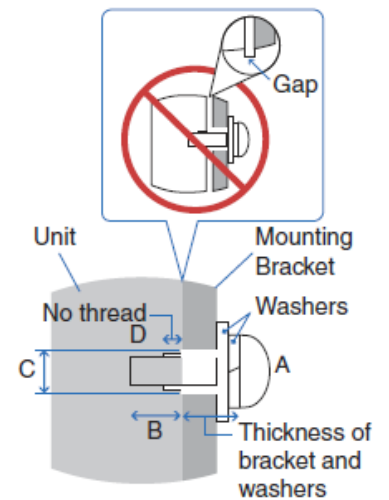
## Display Dimensions – PN-ME502:



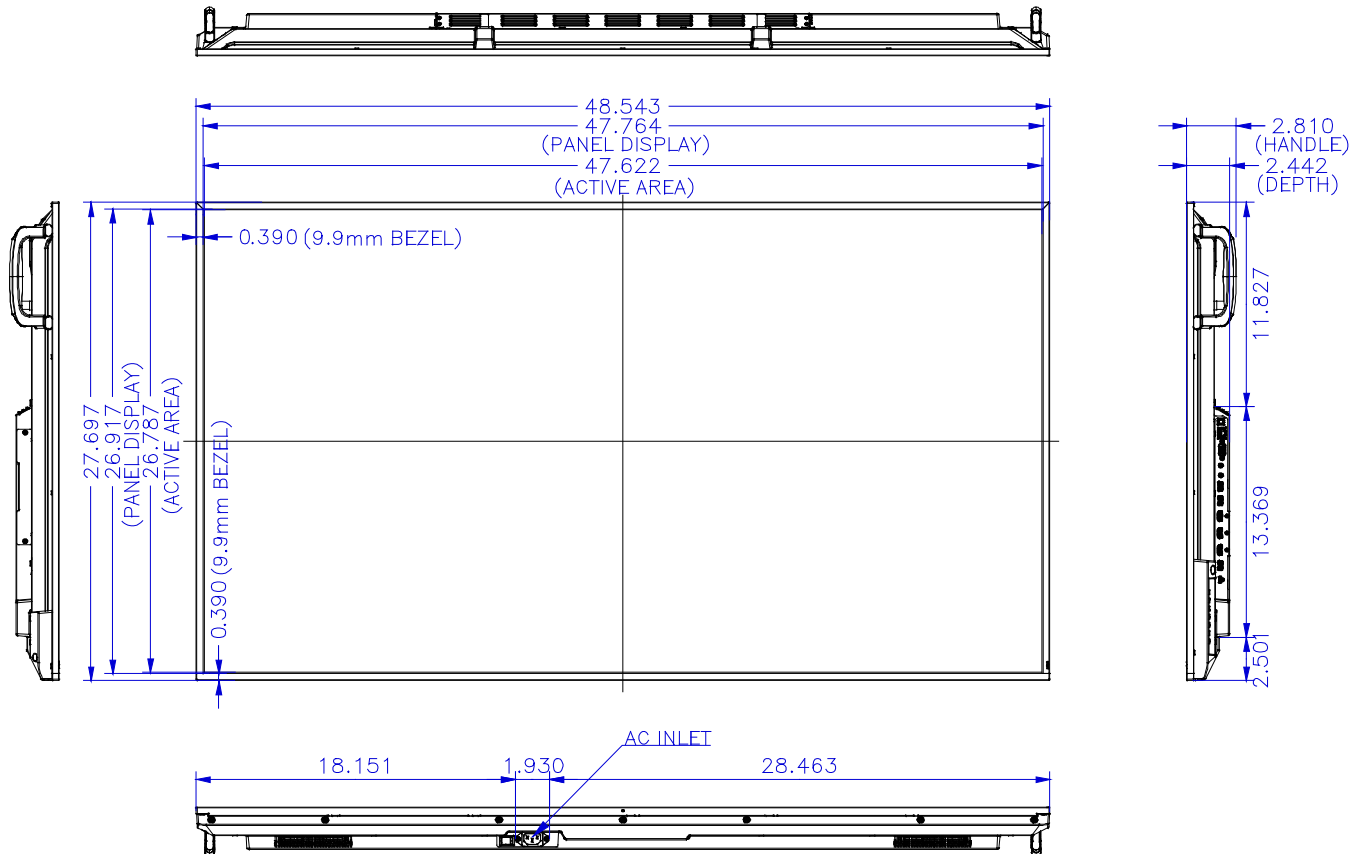
Display Dimensions – PN-ME502 cont'd:



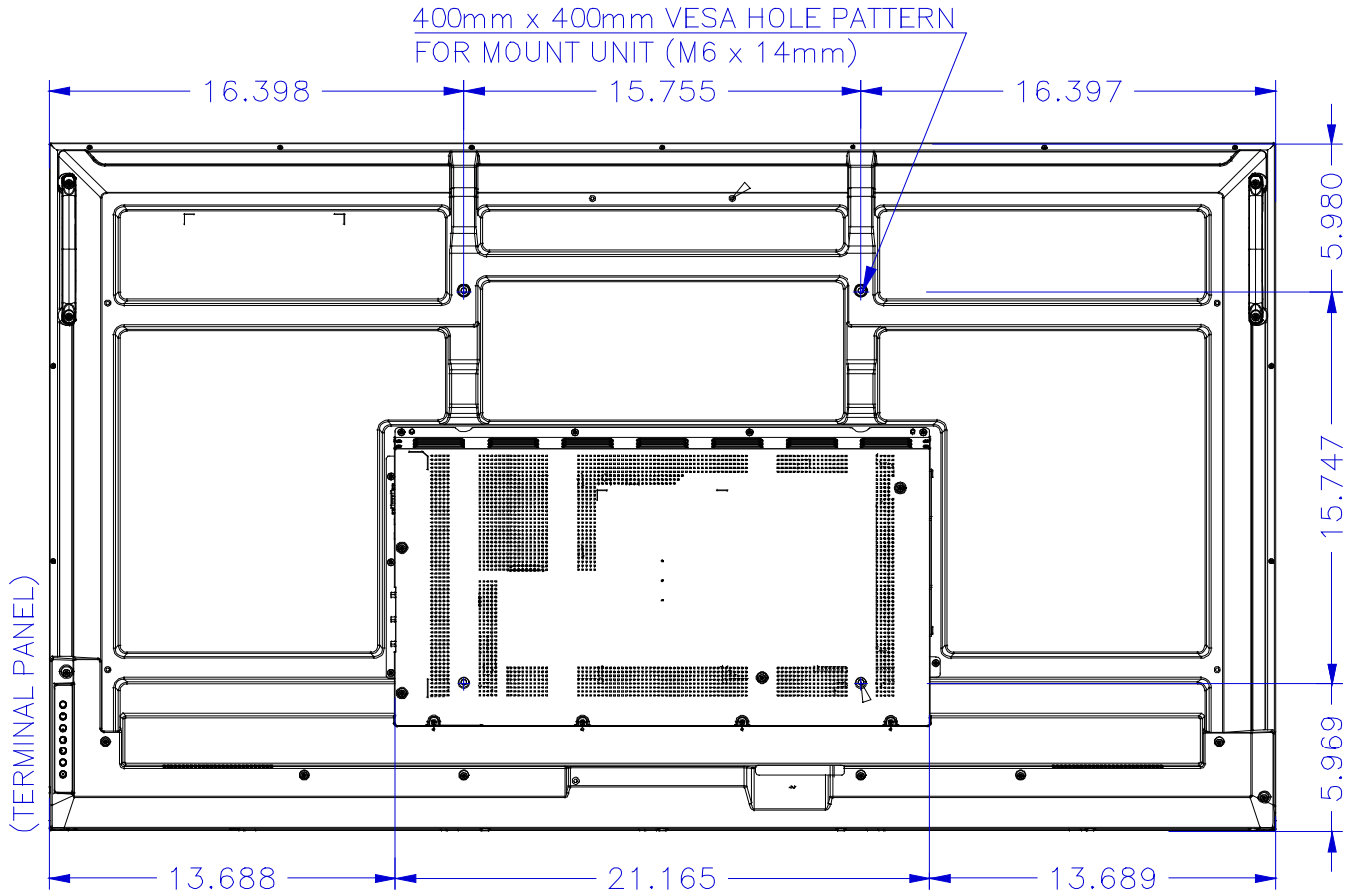
NEC strongly recommends using size M6 screws (14mm + the thickness of the bracket and washers in length).



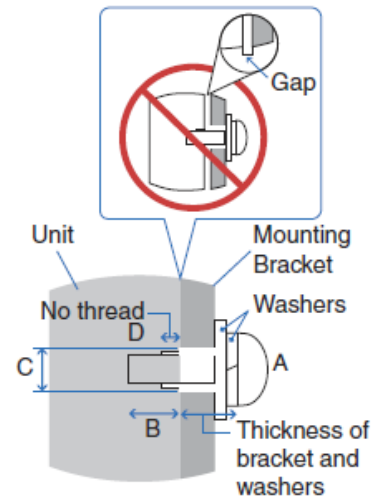
## Display Dimensions – PN-ME552:



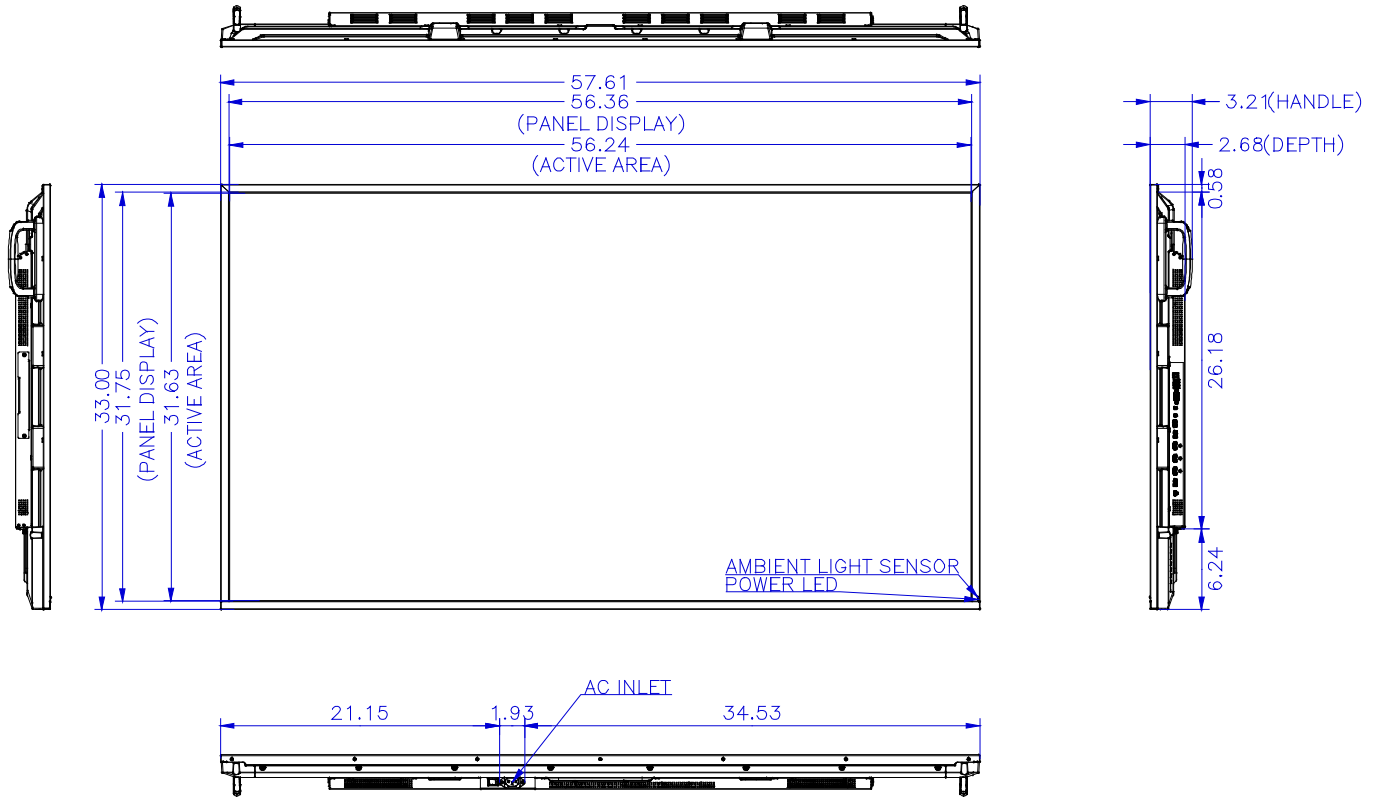
## Display Dimensions – PN-ME552 cont'd:

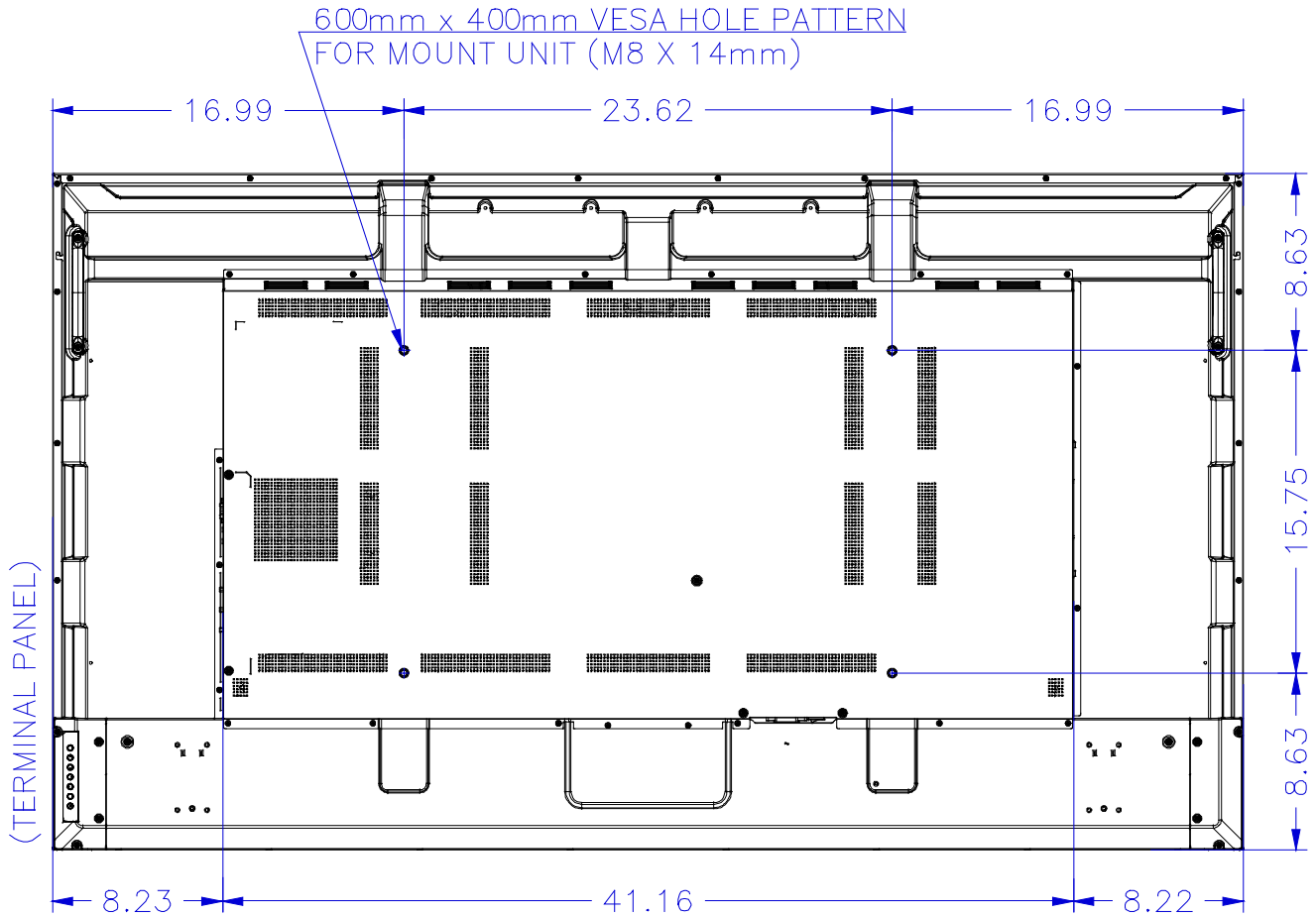


NEC strongly recommends using size M6 screws (14mm + the thickness of the bracket and washers in length).

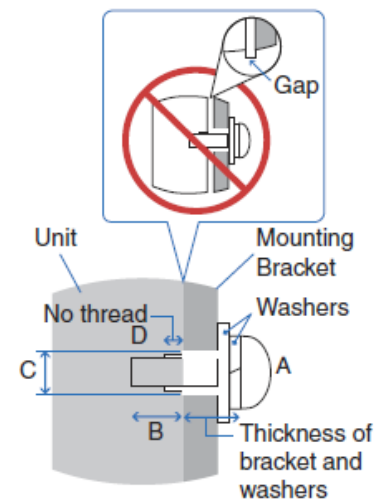






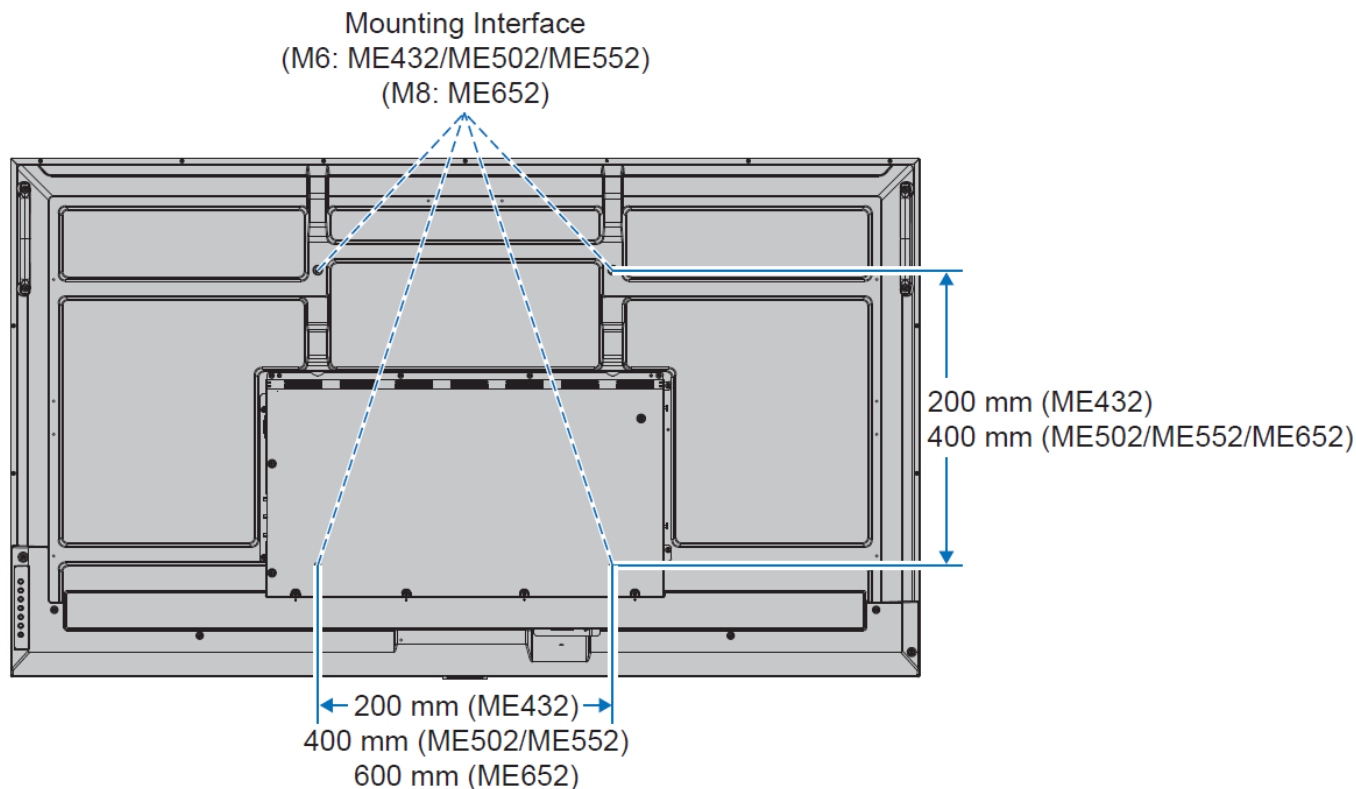


NEC strongly recommends using size M8 screws (14mm + the thickness of the bracket and washers in length).



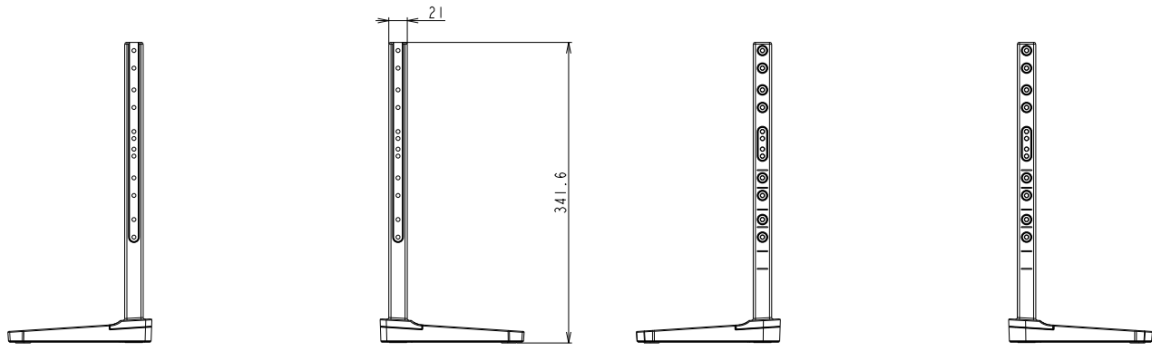
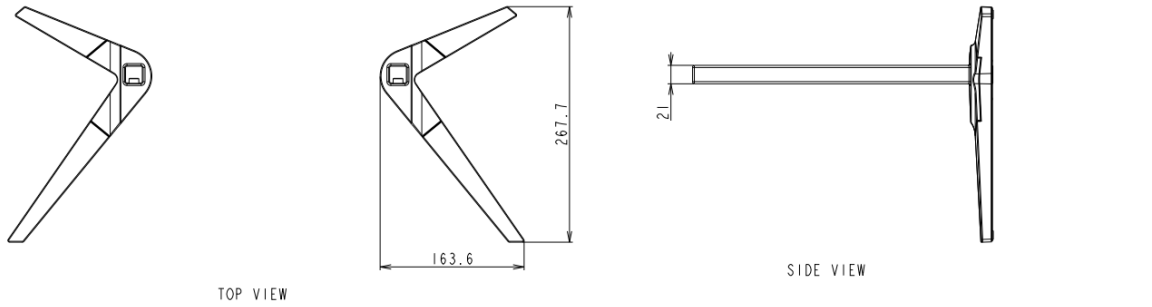
## Installing and Removing the Optional Table Top Stand

- The PN-ME432, PN-ME502 and PN-ME552 use the ST-43M.
- Only use the screws that are included with the optional stand.
- Prior to installation, place the monitor face down on a flat and even surface. To avoid scratching the LCD panel, always place a soft cloth on the surface before lying the product face down.

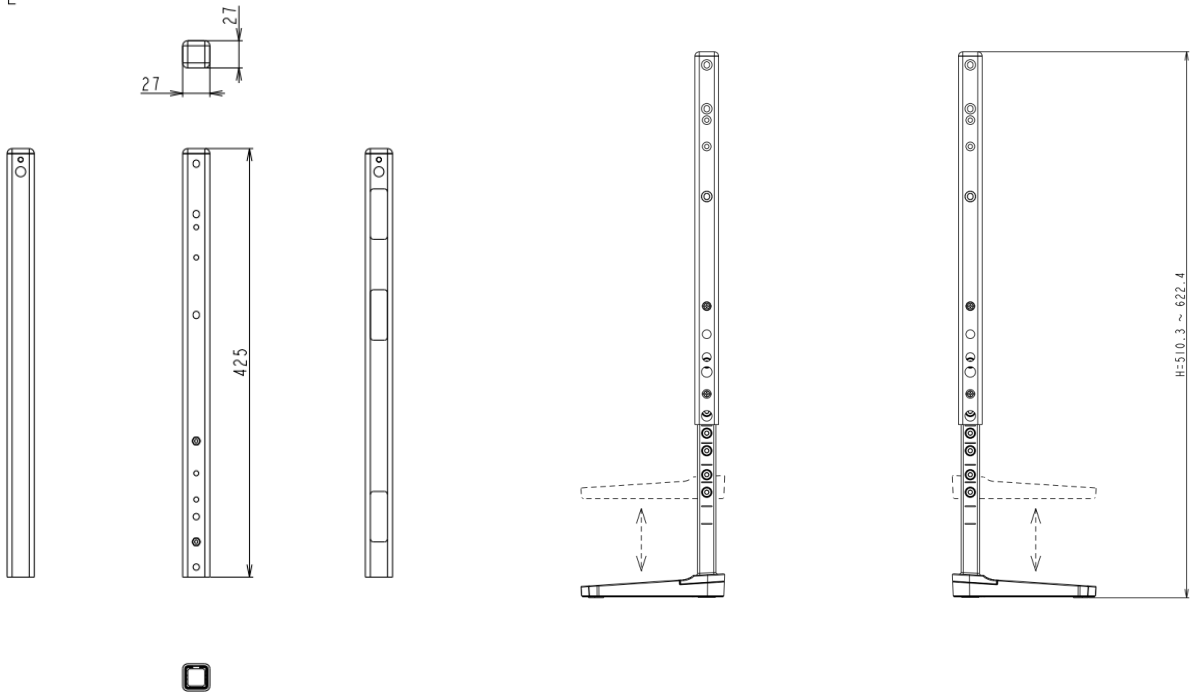


- Use mounting accessories that are located in the box of the ST-43M or ST-65M.
- The ST-43M connects into the VESA pattern of the PN-ME432, PN-ME502 and PN-ME552.
- The ST-65M connects into the bottom slots of the PN-ME652 – note that the attachments, if not attached, may be included in the box for the PN-ME652 display.

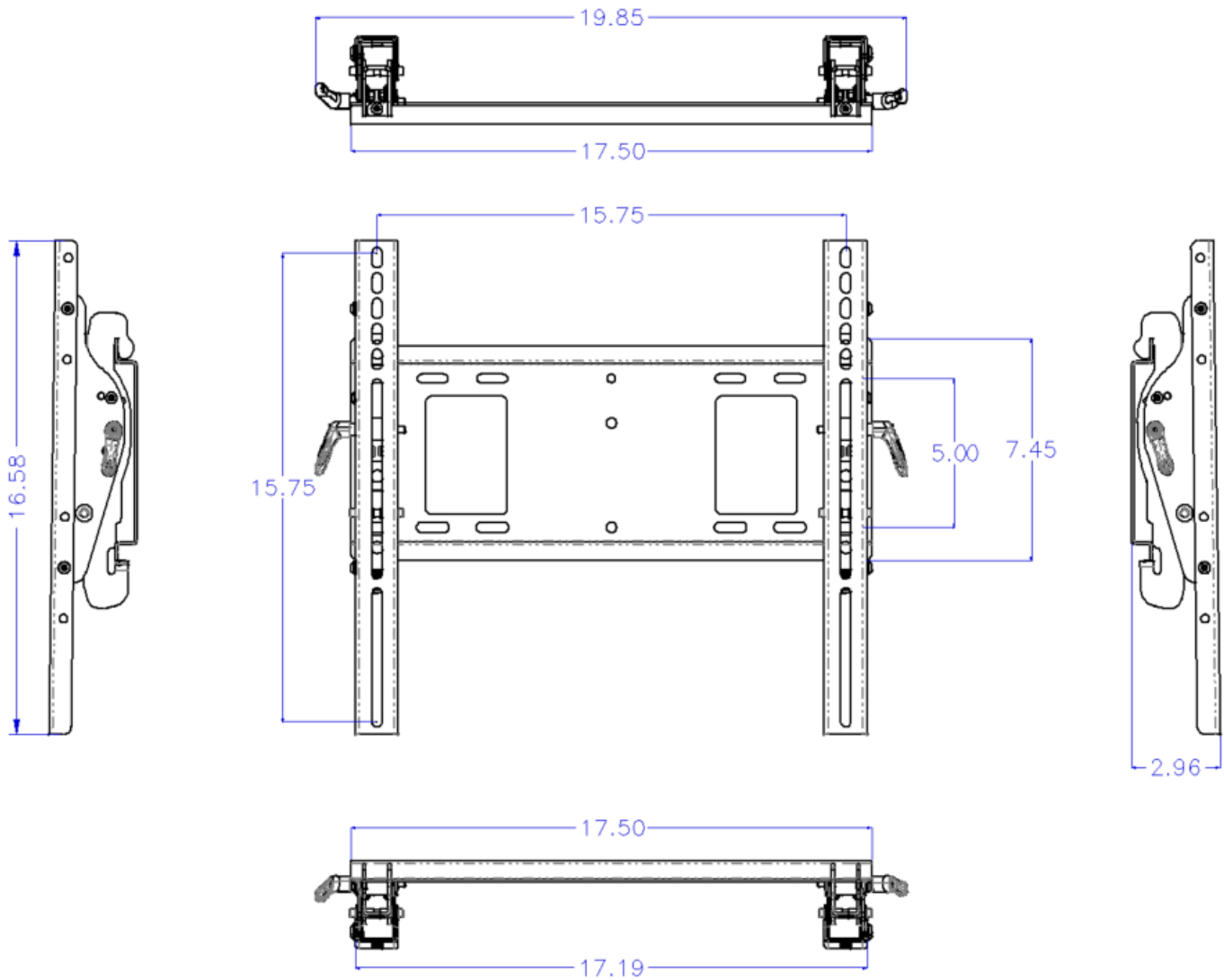
Table Top Stand Dimensions (ST-43M pictured below):



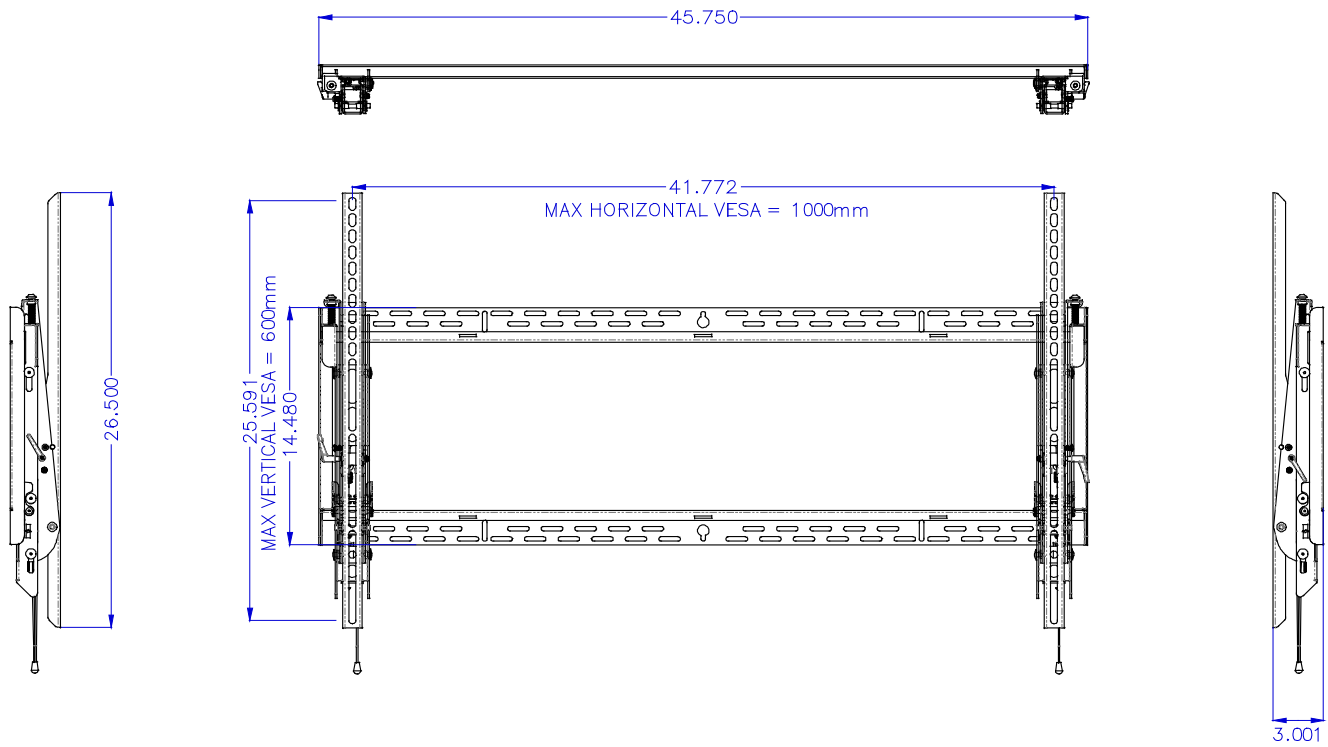
PIPE



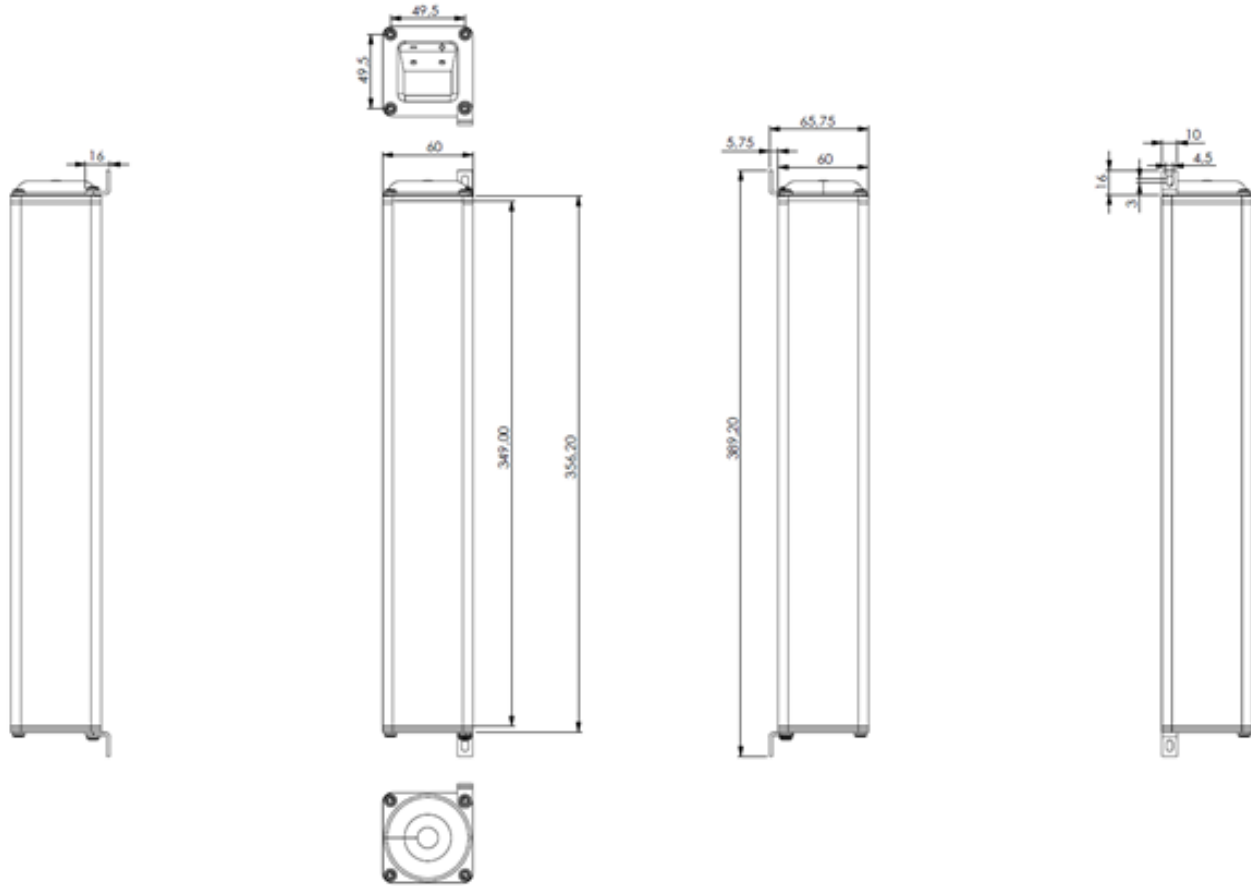
Optional Wall Mount for PN-ME432, PN-ME502 and PN-ME552 (WMK-3298T):



## Optional Large Wall Mount for PN-ME652 (WMK-7598T):



## Optional Speaker Dimensions (SP-RM3a):



## Input Panel:

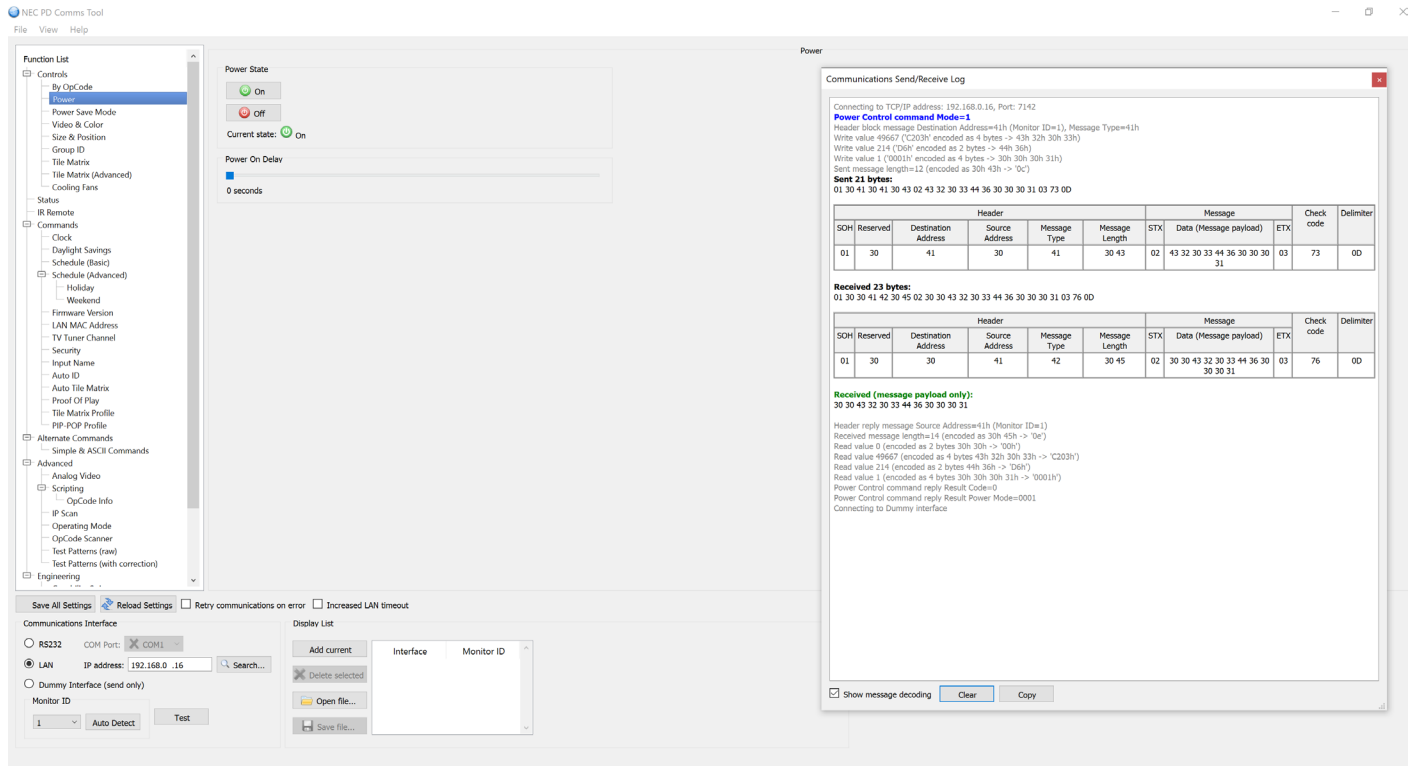
1. Optical Audio Out (SPDIF)
2. LAN (1000MB)
3. RS-232C (D-SUB 9-pin)
4. Audio Mini-Jack Out (3.5mm)
5. IR Remote In (3.5mm)
6. USB 2.0 (for SoC)
7. USB 3.0 (for SoC)
8. HDMI1 (ARC) In
9. HDMI2 In
10. HDMI3 In
11. USB 3.0 (Downstream for USB-C)
12. USB-C Port (5V/3A, Upstream, Audio/Video)





## PD Comms Tool

- Please download PD Comms Tool and open the Communications Log by going to View → Communications Log. From here you can find any external control code necessary for your installation
- PD Comms Tool can be downloaded from here: <https://www.sharpnecdisplays.us/faqs/pdcommstool/179>

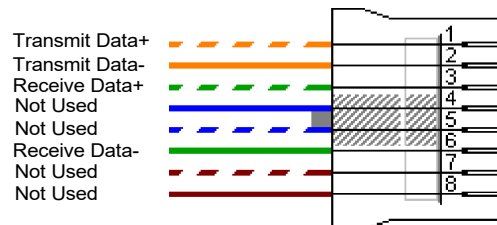
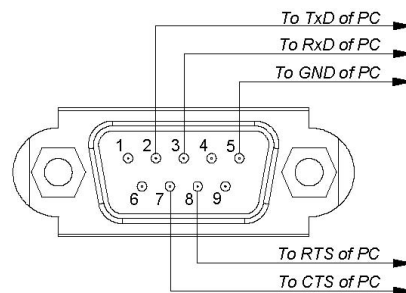


## Cable Connection

### Communication Protocol:

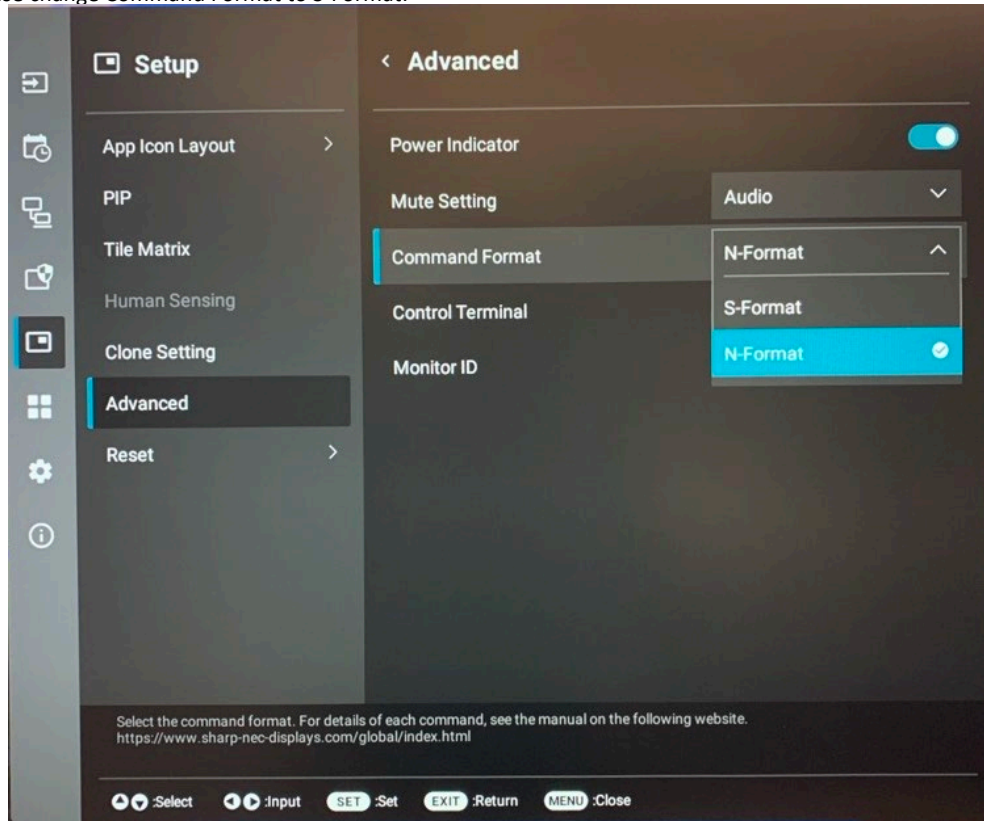
Interface: RS-232C  
 Communication System: Asynchronous  
 Baud Rate: 9600 bps  
 Data Length: 8 bits  
 Parity: None  
 Stop Bit: 1 bit  
 Communication Code: ASCII

Interface: Ethernet (CSMA/CD)  
 Communication System: TCP/IP (Internet Protocol Suite)  
 Communication Layer: Transport layer (TCP)  
 IP Address: 192.168.0.10 (default out of box)  
 Port Number: 7142 (Fixed)



## Command Format:

The PN-MExx2 products are compatible with both the NEC and Sharp protocols. Out of the box they are set to NEC protocol. If Sharp protocol is necessary then please change Command Format to S-Format:



## Browser Control:

Information and control can also be available through the HTTP browser control menu.

In order to accomplish this, type: [http://<the Monitor's IP address>/pd\\_index.html](http://<the Monitor's IP address>/pd_index.html)

All displays are set to the IP address 192.168.0.10 out of the box unless changed through the initial setup guide  
Communicating network PC needs to be on the same subnet as display that is being communicated with

