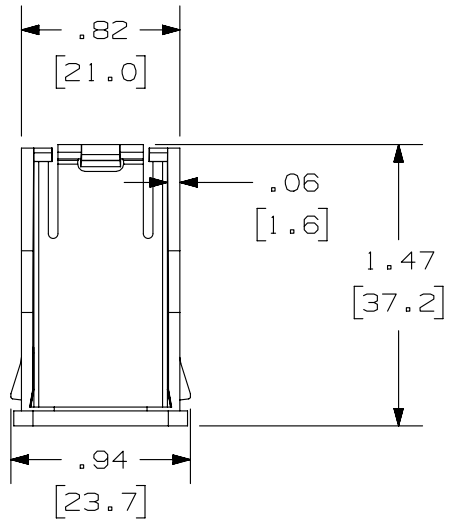


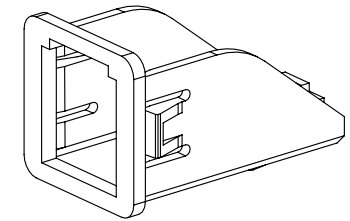
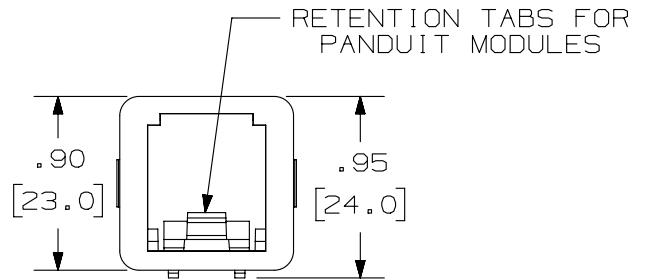
THIS COPY IS PROVIDED ON A RESTRICTED BASIS AND IS NOT TO BE USED IN ANY WAY DETRIMENTAL TO THE INTERESTS OF PANDUIT CORP.



PANDUIT PART NO.	WEIGHT
CMNZA**-X	.27 LB/10 PCS (123 g/10 PCS)

NOTES:

- SEE CURRENT CATALOG FOR ADDITIONAL PART NUMBER SUFFIXES TO INDICATE COLOR AND OR PACKAGE QUANTITY.
- THIS PRODUCT IS INTENDED TO BE USED WITH THE PDL NEW ZEALAND FACEPLATES.
- CONVERTS A PDL FACEPLATE OPENING TO A MINI-COM OPENING.
- DIMENSIONS IN [] ARE IN METRIC.



PART NUMBER		CMNZA**-X	
TITLE			
MINI-COM 1 POSITION NEW ZEALAND FACEPLATE ADAPTER			
CUSTOMER DRAWING			
ITEM REVISION NAME		D35544C0/00	
DATASET FILE NAME		D35544C0_CMNZA/00B	
UNLESS OTHERWISE SPECIFIED, DIMENSIONAL TOLERANCES ARE: IN (mm)		MATERIAL:	
.x ± .xxx ± .010 (.3)		ABS	
.xx ± .03 (.8) ANGLES ±		DRAWING NUMBER:	
THIRD ANGLE PROJECTION		35544-38	
DRAWN BY	DATE	CHK	SCALE
JBA	3-18-97	CEF	NONE
REV	DATE	BY	CHK
2	6/11/14	JSP	REFR
APR	DESCRIPTION		ECN
MMR	REVISED AND REDRAWN, PREVIOUS REVISIONS HAVE BEEN OMITTED.		35544-38
SHT 1 OF 1		SIZE	
A		A	

D10100DA/14