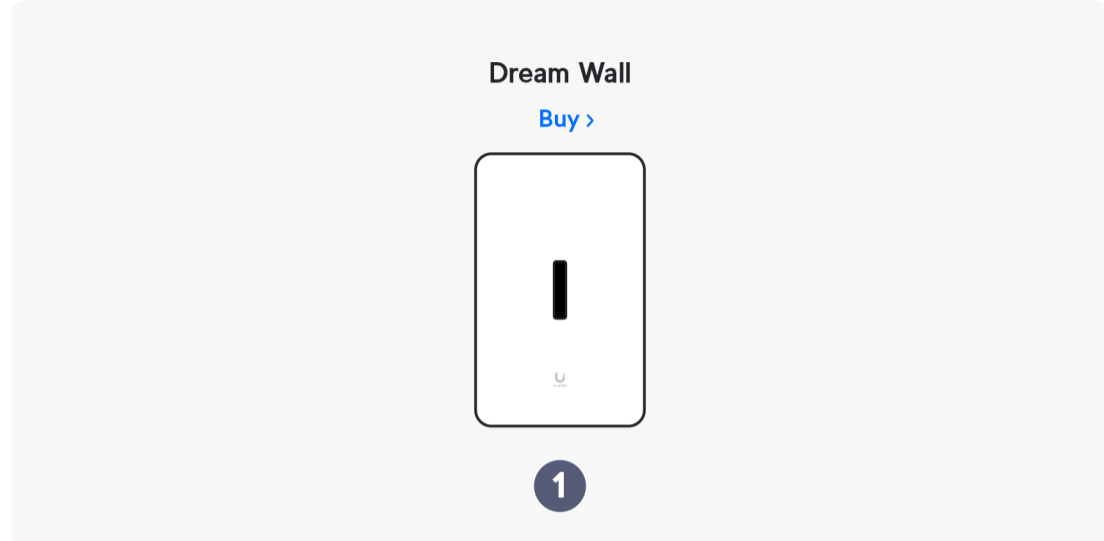
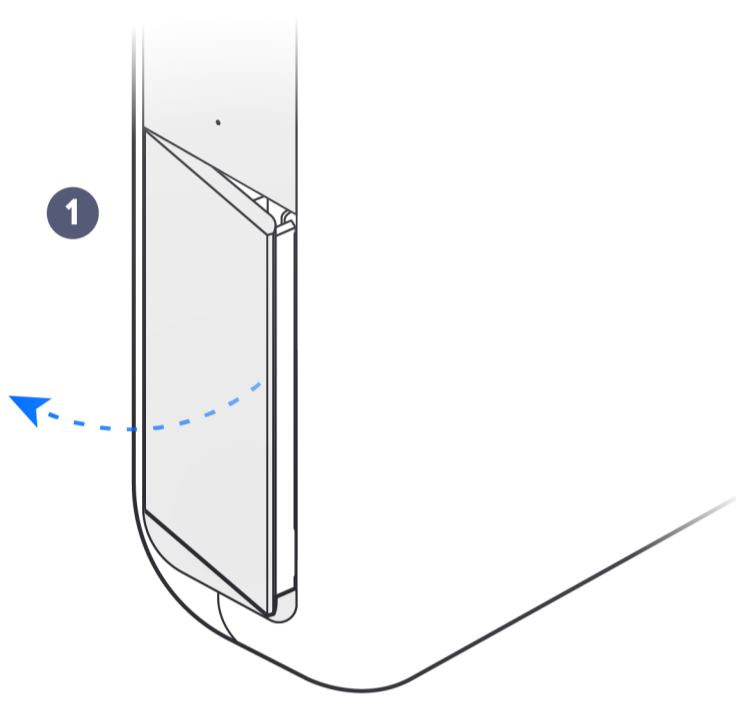


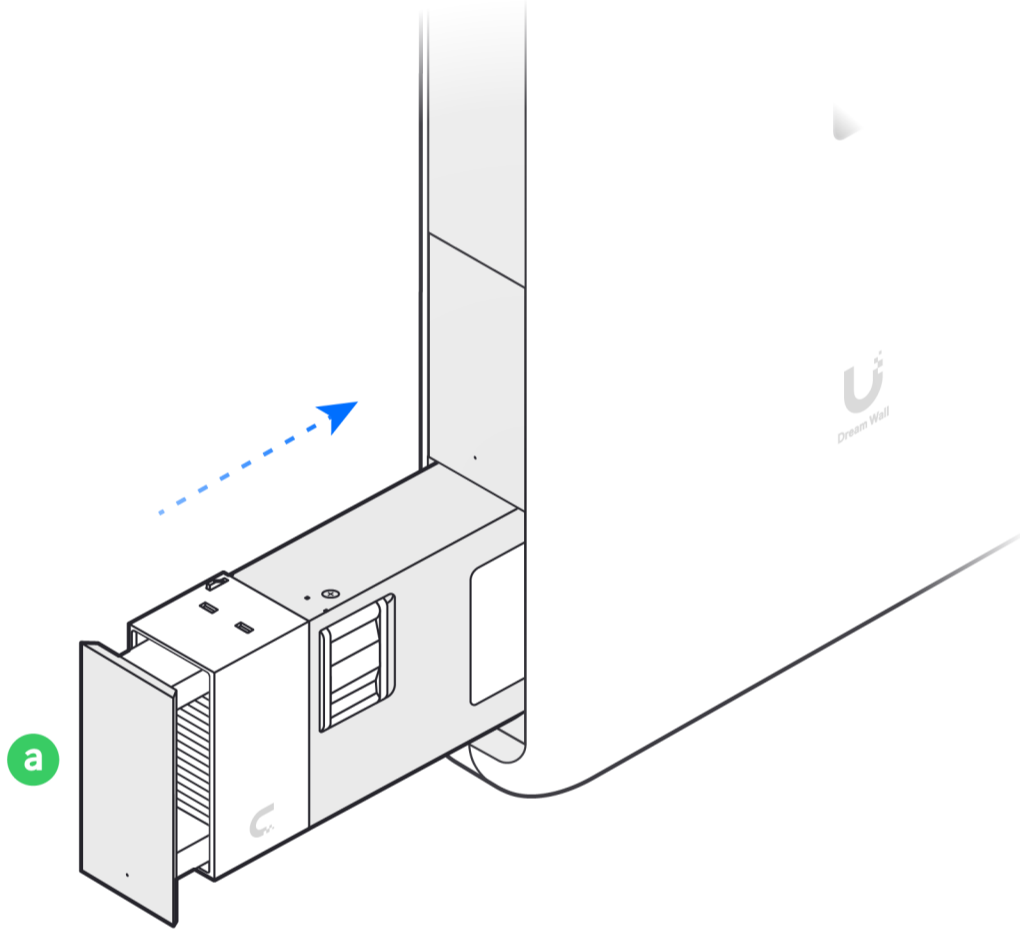
a



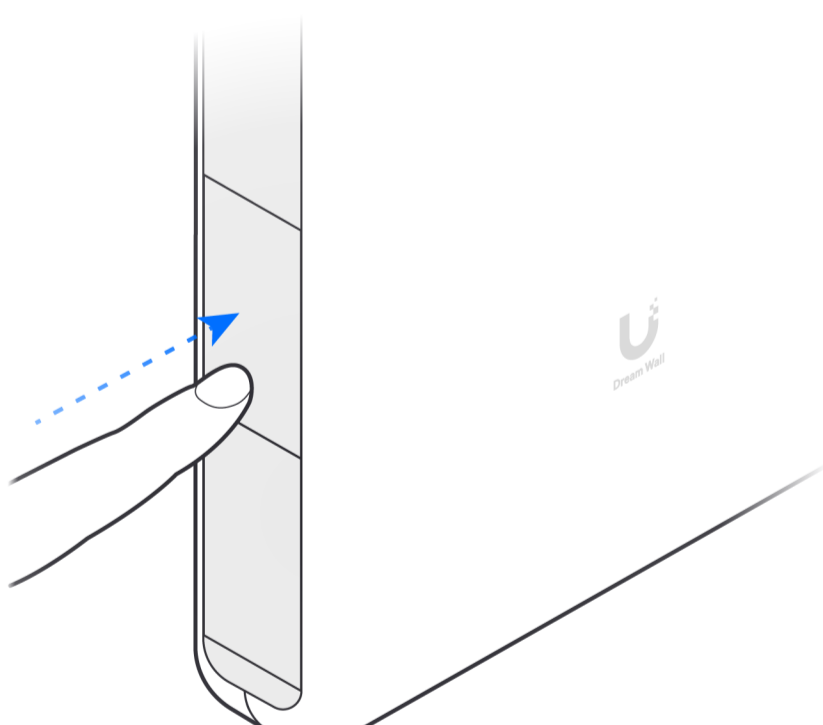
1



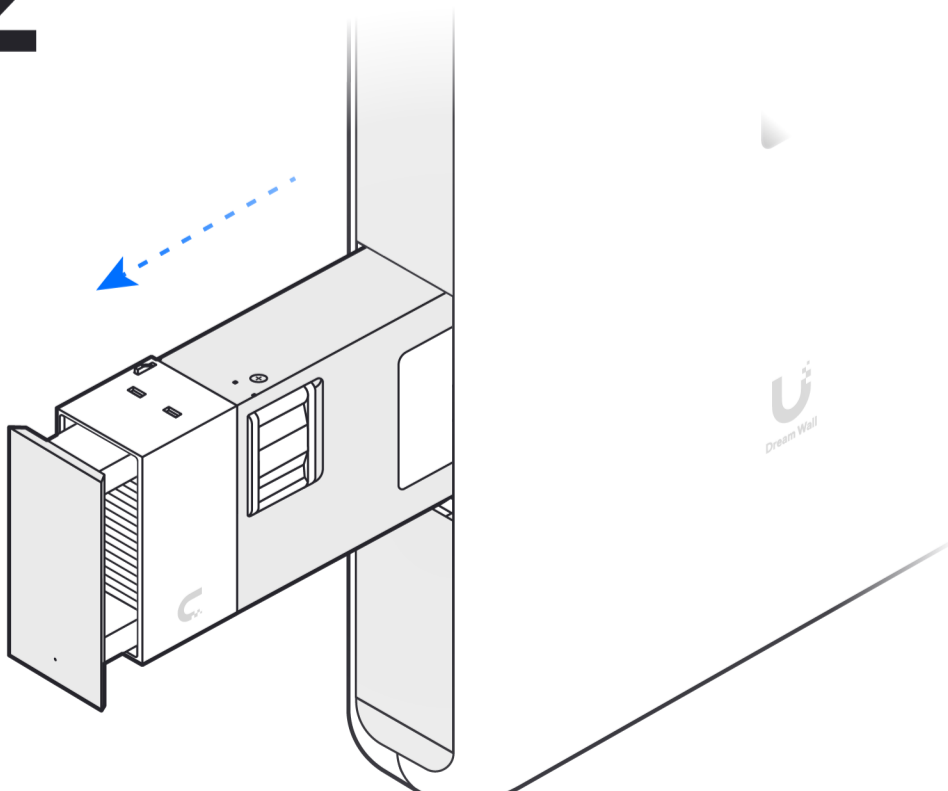
2



1



2



If you need further assistance, visit our [Help Center](#) or contact [Ubiquiti Support](#).