



TALKAPHONE

ETP-520 SERIES ANALOG CALL STATION



BLUE LIGHT PHONES

ETP-520 SERIES
OUTDOOR-RATED,
ADA-COMPLIANT
HANDS-FREE
ANALOG CALL
STATIONS GO
BEYOND EMERGENCY
COMMUNICATIONS
WITH A CLEAN AND
SIMPLE INTERFACE,
316 MARINE GRADE
STAINLESS STEEL
AND ARE RATED
IP66 FOR HARSH
ENVIRONMENTS.

FEATURES

- Vandal resistant 316 marine grade stainless steel faceplate
- IP66 water resistant construction
- Raised letter and braille signage for ADA compliance
- Stainless steel metal button designed for long lasting usage and weather erosion
- Two (2) LED indicators for the hearing impaired (CALLING and ANSWERED)
- Operates on a standard analog phone line or extension for communications and function—no power supply needed
- When the button is pushed, the built-in auto-dialer can dial up to five (5) numbers. If first number does not answer or is busy, dials second number. If second number does not answer or is busy, dials third number—and so on.
- Monitor mode will auto-answer a call initiated by an attendant—allowing them to monitor the local area
- Ability to identify the physical location of the call station through a pre-recorded voice message that plays at the beginning of a call or through Talk-A-Lert (sold separately)
- Unique pre-recorded voice messages for the button, auxiliary input, and monitor mode
- Available Auxiliary Input can be triggered by a momentary dry contact closure (e.g., vehicle detector) to auto-dial a list of phone numbers—order Model ETP- AUXIN-KIT-2 to enable feature
- Two (2) Auxiliary Outputs can each provide a dry contact closure to devices such as a blue light beacon, access control panel, or security camera
- Line level output (600 Ohm) connects to an audio amplifier or paging system—providing the capability of receiving an audio page (mass notification) through a standard telephone call
- Compatible with active induction hearing loop panel (Model AHLP-1)—external power supply required

GENERAL SPECIFICATIONS	ETP-520 Series
Construction:	0.086 in (2.13mm) #4 brushed 316 stainless steel faceplate
Dimensions (W x H x D):	Front Panel: 8.5 x 11.5 in. (216 x 292 mm) Back Box: 6.38 x 9.79 x 2.83 in. (162 x 249 x 72 mm)
Weight:	5 lbs. (3.6 kg)
Storage Temperature:	-40° F to +149° F (-40° C to +65° C)
Operating Temperature:	-40° F to +131° F (-40° C to +55° C)
Relative Humidity:	Up to 95% non-condensing
Protection:	IP66, circuit board parylene coated
Mounting:	Flush mount (kit sold separately) Surface mount options available
Communication:	Two-way hands-free communication
Digit Capacity:	Up to 50-digits, including pauses, for each of five (5) phone numbers
Dialing Speed:	51 ms or 102 ms on/off
Power Source:	Phone line powered (requires 20mA at 24 V off-hook)
Connection:	Parallel tip and ring connected to RJ11 connector for quick installation
Circuit Protection:	Sidactor lighting suppressed and full wave polarity guarded
Auxiliary Input:	Optionally available with one (1) relay input (N.O.) rated for 2.2-30 VAC/VDC Accepts a momentary contact closure Order Model ETP-AUXIN-KIT-2 to enable feature
Auxiliary Outputs:	Two (2) relay outputs (N.O.) rated for a maximum of 1.0A at 30VDC or 0.5A at 110VAC
Line Level Output:	One (1) 600 Ohm line level audio output
Programming:	Non-volatile EEPROM programming can be done from a remote telephone No battery backup is needed to save configuration
"On Time":	Programmable from 1-99 minutes in 1-minute increments
Recommended Wiring:	One (1) shielded twisted pair (STP)



All specifications are subject to change without notice.





ETP-520C



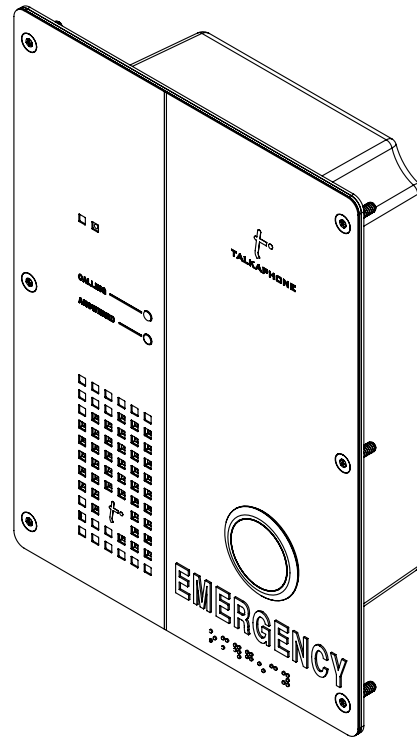
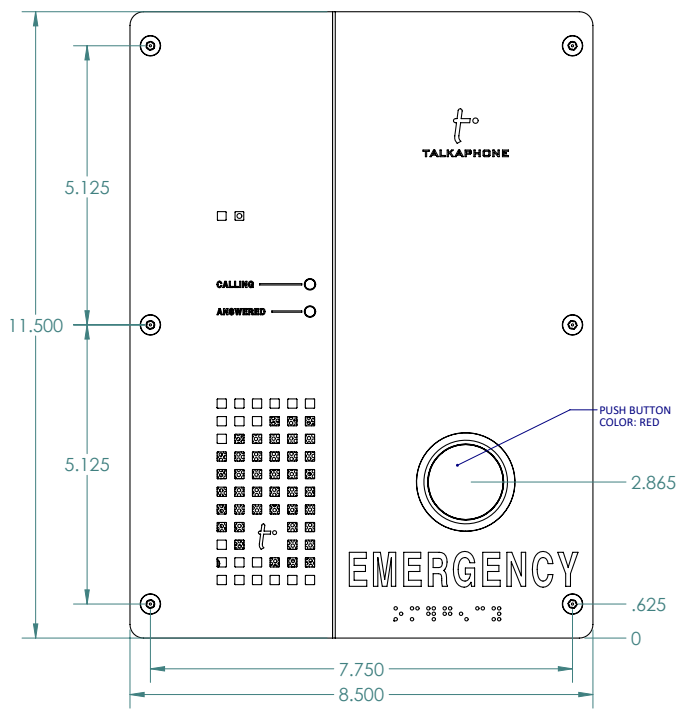
ETP-520ECK

	ETP-520E - Single-Button Emergency Call Station	ETP-520C - Single-Button Call Station
		
Model Number:	ETP-520E	ETP-520C
Dimensions (W x H x D):	Front Panel: 8.5 x 11.5 in. (216 x 292 mm) Back Box: 6.38 x 9.79 x 2.83 in. (162 x 249 x 72 mm)	Front Panel: 8.5 x 11.5 in. (216 x 292 mm) Back Box: 6.38 x 9.79 x 2.83 in. (162 x 249 x 72 mm)
Weight:	5 lbs. (3.6 kg)	5 lbs. (3.6 kg)

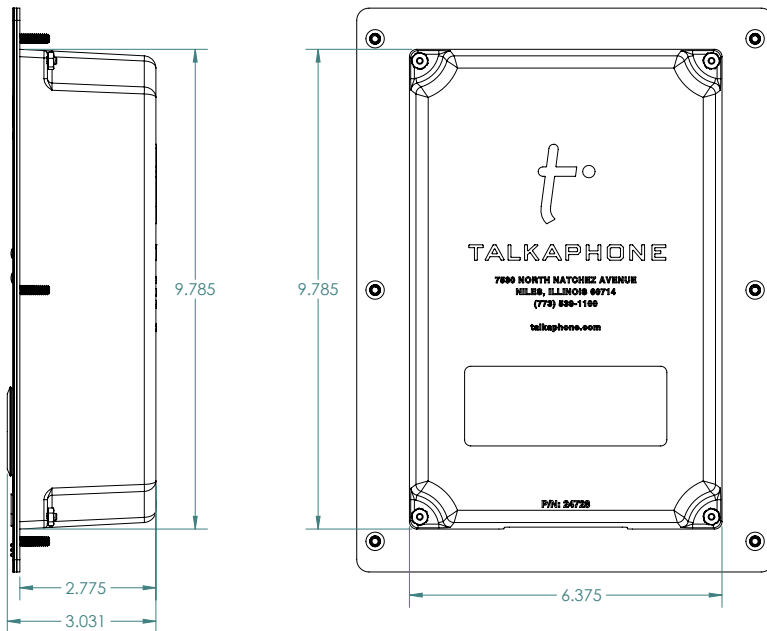
	ETP-520EI - Dual-Button Emergency Call Station	ETP-520ECK - Keypad Call Station
		
Model Number:	ETP-520EI	ETP-520ECK
Dimensions (W x H x D):	Front Panel: 8.5 x 11.5 in. (216 x 292 mm) Back Box: 6.38 x 9.79 x 2.83 in. (162 x 249 x 72 mm)	Front Panel: 8.5 x 11.5 in. (216 x 292 mm) Back Box: 6.38 x 9.79 x 2.83 in. (162 x 249 x 72 mm)
Weight:	5 lbs. (3.6 kg)	5 lbs. (3.6 kg)
Keypad:	N/A	Keypad can be configured to support one of the following modes: <i>(1) Manual keypad dialing</i> <i>(2) Autodial (0-9 keys are each programmed with a single phone number)</i> <i>(3) Interactive voice response (IVR) mode—operate a call tree or menu</i>

DIMENSIONAL DRAWING - MODEL ETP-520E

All dimensions are in inches and are provided for reference only.

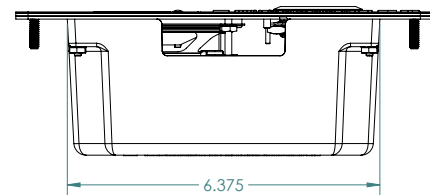


FRONT VIEW



SIDE VIEW

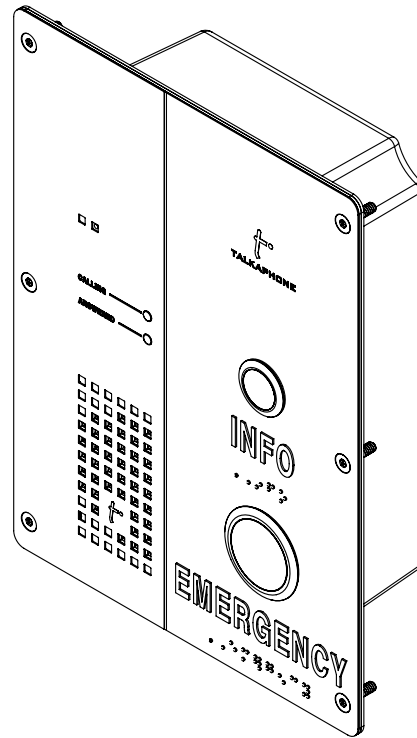
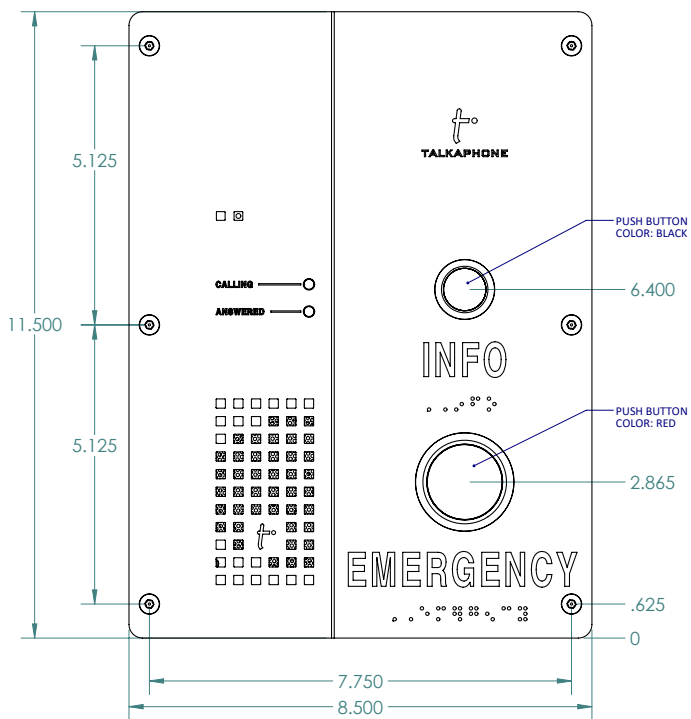
REAR VIEW



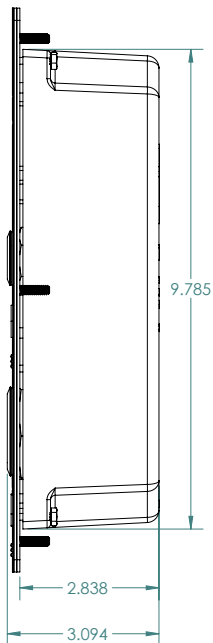
BOTTOM VIEW

DIMENSIONAL DRAWING - MODEL ETP-520EI

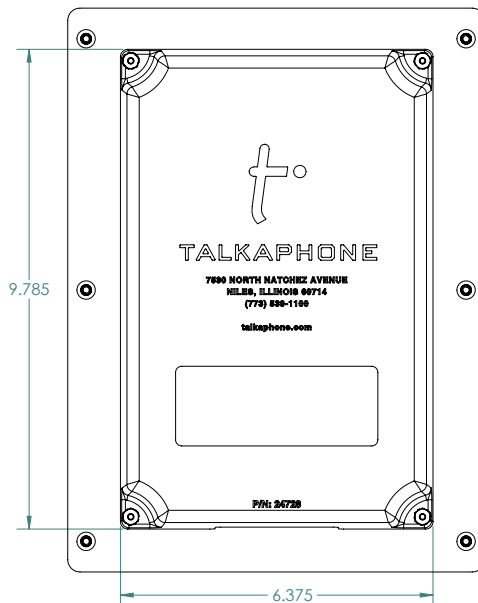
All dimensions are in inches and are provided for reference only.



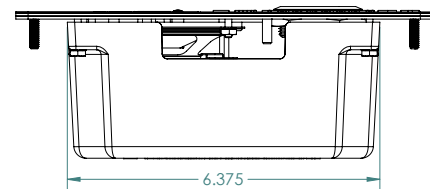
FRONT VIEW



SIDE VIEW



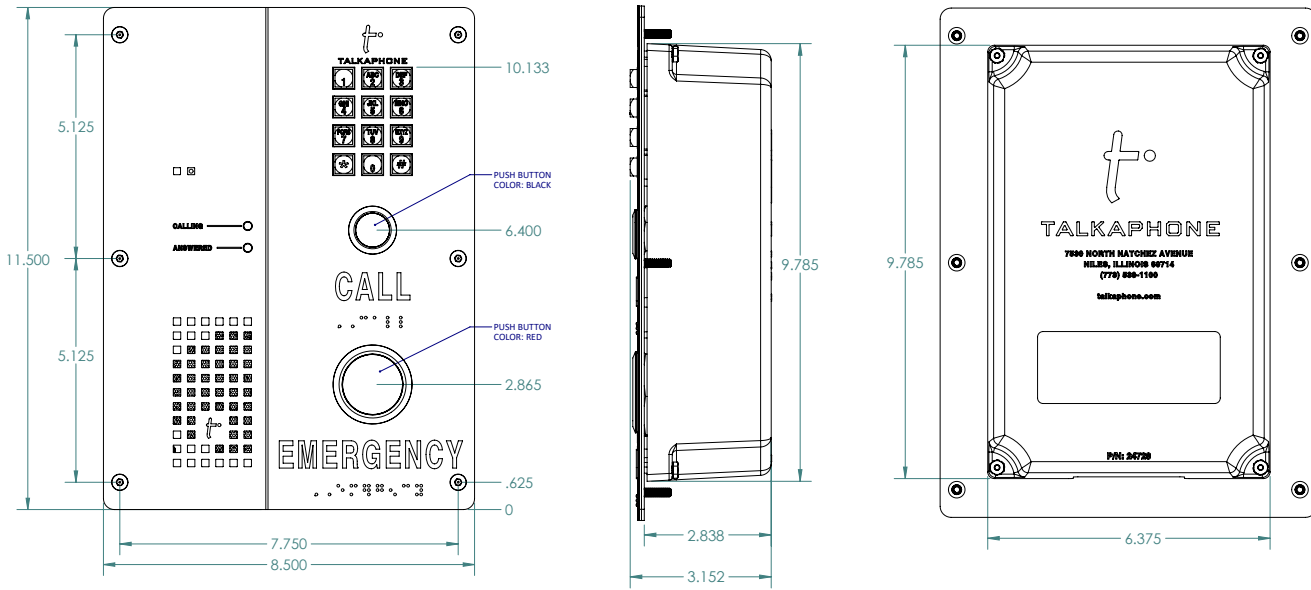
REAR VIEW



BOTTOM VIEW

DIMENSIONAL DRAWING – MODEL ETP-520ECK

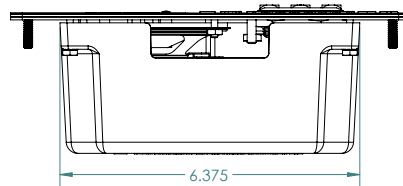
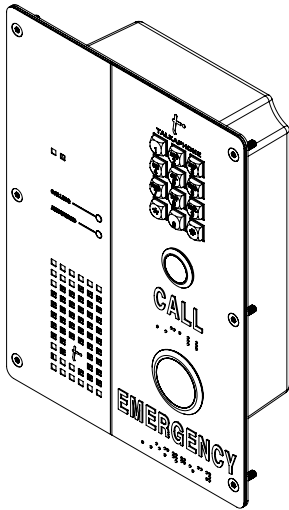
All dimensions are in inches and are provided for reference only.



FRONT VIEW

SIDE VIEW

REAR VIEW



BOTTOM VIEW



Tel: 773-539-1100
Email: info@talkaphone.com
Web: www.talkaphone.com

7530 North Natchez Avenue
Niles, Illinois 60714

Terms of Use and Limited Warranty

This Product includes intellectual property and proprietary rights owned by Talk-A-Phone, LLC and/or its licensors. Your use of this Product confirms your agreement that Talk-A-Phone, LLC and/or its licensors retain all right, title and interest in and to all such property; that your rights are to access and use the Product for your internal business use only; that all Product elements will be maintained as confidential; and that the Product may not be rented, leased or lent to third parties, reverse engineered, decompiled or disassembled, or otherwise used for any purpose other than as an access device for your premises.

Talk-A-Phone, LLC warrants Talk-A-Phone Emergency Phone, Call Station, and Wide-Area Emergency Broadcast System equipment against any defects in material and workmanship, under normal use, for a period of twenty-four (24) months from date of installation, provided that Talk-A-Phone receives a completed "Installation Certification" certifying the date on which the system has been installed. An "Installation Certification" card is enclosed with every unit. In the event that no "Installation Certification" is received by Talk-A-Phone, the twenty-four (24) months will commence on the date of shipment by Talk-A-Phone. Warranty period for the metal elements of models in the GP Series Pedestals, MT Series Towers, MTE Series Towers, MT/R Series Towers, PM Series Pedestals, SM Series Surface Mounts, Via Series Mounts, and WM Series Wall Mounts is five (5) years, under the same terms and conditions. Warranty period for Area of Rescue Products is sixty (60) months, under the same terms and conditions. Warranty period for Intercommunication Products is twelve (12) months, under the same terms and conditions. If the Product is found by Talk-A-Phone to be defective within the warranty period, Talk-A-Phone's only obligation, and your exclusive remedy, is for the repair or replacement of any defective parts, provided that the Product is returned to us at 7530 N. Natchez Ave., Niles, IL 60714. Talk-A-Phone shall have no obligation to furnish or pay for the labor of any third parties or bear the expense of shipping defective Products for repair. In no event shall Talk-A-Phone or its licensors or suppliers be liable for any form of exemplary or punitive damages, or any special, indirect or consequential damages. TALK-A-PHONE EXPRESSLY DISCLAIMS ALL OTHER WARRANTIES, WHETHER EXPRESS, IMPLIED OR STATUTORY, INCLUDING BUT NOT LIMITED TO THE IMPLIED WARRANTIES OF MERCHANTABILITY OR FITNESS FOR A PARTICULAR PURPOSE. In no event shall Talk-A-Phone or its licensors or suppliers be liable for any form of exemplary or punitive damages, or any special, indirect or consequential damages. Your use of this Product constitutes your agreement to all of the foregoing terms.

THIS WARRANTY GIVES YOU SPECIFIC LEGAL RIGHTS AND YOU MAY ALSO HAVE OTHER RIGHTS WHICH VARY FROM STATE TO STATE. Further information is available at talkaphone.com/legal
Copyright 2024 Talk-A-Phone, LLC. All rights reserved.