

JVC

Get Closer
with 40x Zoom in HD

40x Zoom in HD/4K60P NDI®/Auto Tracking



KY-PZ540NW/NB

KY-PZ540W/B

40x Zoom in HD, H.265/HEVC Streaming, NDI®, SRT, and Advanced Auto Tracking provides optimal image quality and performance for remote production over the Internet.

CONNECTED CAM™

4K NDI HX

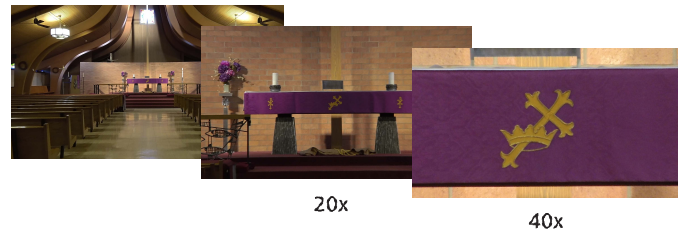
vMix

SRT
SECURE
RELIABLE
TRANSPORT

H.265/
HEVC

40x Zoom in HD using VSM Technology

40x full resolution zoom is achieved in HD with JVC Variable Scan Mapping (VSM) technology which dynamically scans the 4K sensor to produce a seamless & lossless image transition.



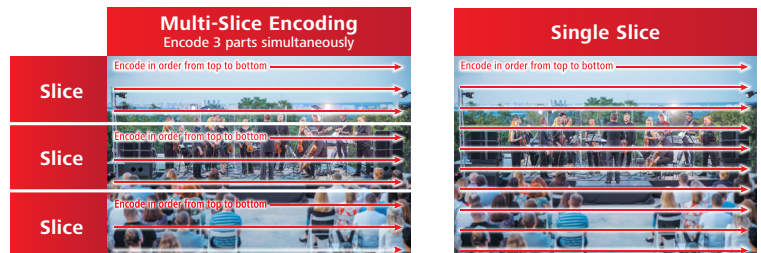
4K60p H.265/HEVC Streaming

H.265/
HEVC

Ultra-high resolution 4K60p streaming is ideal for viewing sports and events. Highly efficient H.265/HEVC compression technology also produces similar or better image quality than H.264 at 50% of the bitrate.

Multi-Slice Encoding Technology

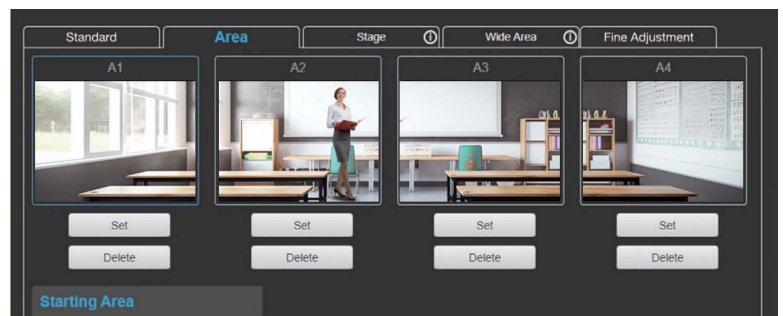
Multi-slice encoding technology increases performance and efficiency while reducing latency to achieve optimal image quality of live transmissions in 4K60p HEVC mode.



Advanced SMART Auto Tracking

Standard, Area, Stage, Wide Area and Fine Adjustment Advanced SMART Auto Tracking (Subject Movement And Recognition Tracking) settings provide intelligent operation for sophisticated and engaging productions.

Sample illustrates a few of the many Auto Tracking options available!



Full

Upper

Close

View our [Advanced Auto Tracking Brochure](#)
for the FULL list of features

Remote Production Supported Products

Remote Control Panel

[RM-LP100](#)



Compact Joystick PTZ Controller

[RM-LP5G](#)



12 NDI/SRT and 8 SDI Input vMix Studio Switcher

[KM-IP12S8/PRO](#)



IP Address Display

Display of the IP address in front of the camera for easy identification and confirmation.



UVC (USB Video Class)

Support for Webcam Usage , H.264 4K30p25p , MJPEG 4K30p25p.

General Specification

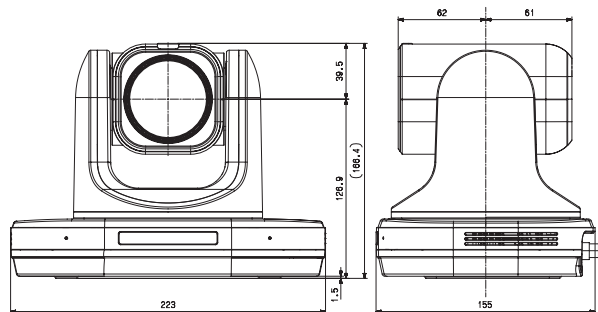
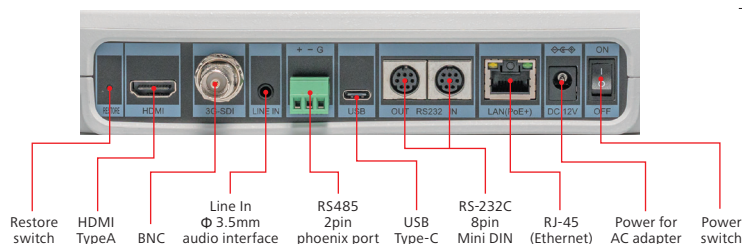
Camera	
Sensor	1/1.8 Inch CMOS, Mega Pixels 8.42M
Lens	Optical Zoom in: HD= 40x, 4K= 20x f= 6.25mm to 125mm (30mm to 600mm 35mm equivalent)
Digital Zoom	2x, 4x, 8x, 16x
Minimal Illumination	0.5lx @ (F1.8, AGC ON)
Gain	0 dB to 45 dB
Shutter	[60Hz] 1/30s ~ 1/10000s [50Hz] 1/25s ~ 1/10000s
White Balance	Auto, indoor, outdoor, one push, manual
Rotation Range	Horizontal ±162.5°, Vertical -30° to +90°
Pan Tilt Speed	PAN: 1.8°/s to 80.5°/s, TILT: 1.5°/s to 49°/s
Image	H/V flip, Image freeze, H/V auto inverting function
Preset Accuracy	Number of presets: 255, Preset accuracy: 0.1°
Digital Magnification	16x
Auto Focus	Yes

Input / Output Interfaces	
HDMI Output	TYPE A, Max 3840x2160/ 60p, 50p
3G-SDI Output	BNC type (3G-SDI), Embedded audio Video: SMPTE 424M, SMPTE 292M Audio: SMPTE 299M, Max 1920x1080, 60p, 50p
Network Interface (LAN)	RJ-45 (Ethernet): 1000BASE-T/100BASE-TX
Audio Interface	stereo mini jack φ 3.5mm
USB	Type-C for UVC (Host mode is not supported), Including UAC UVC Ver1.0 - Ver1.5 MJPEG/H.264 MAX: 3840x2160/30p25p
Communication Interface	RS-232C 8pin Mini DIN, RS485 2pin phoenix port

Network	
Video Compression	H.265/HEVC, H.264, MotionJPEG
Video Stream	Main Stream Resolution: 640x360 to 3840x2160, Frame Rate: 25p to 60p Sub Stream Resolution: 320x240 to 1920x1080, Frame Rate: 25p to 60p
Streaming Protocol	RTSP/RTP H.264: 3840x2160/60p50p/60Mbps with VITC H.265: 3840x2160/60p50p(MultiSlice)/60Mbps with VITC 3840x2160/30p25p(SingleSlice)/60Mbps with VITC MJPEG: 1920x1080/60p50p RTMP, RTMPS H.264: 3840x2160/60p50p/60Mbps SRT H.264: 3840x2160/60p50p/60Mbps with VITC H.265: 3840x2160/60p50p(MultiSlice)/60Mbps with VITC 3840x2160/30p25p(SingleSlice)/60Mbps with VITC VITC NDI® (KY-PZ540N built in NDI®) H.264: 3840x2160/60p50p/60Mbps H.265: 3840x2160/60p50p(MultiSlice)/60Mbps 3840x2160/30p25p(SingleSlice)/60Mbps
Remote Protocol	NDI, Standard, Pelco, JVC (WEB API, RM-LP100)
VITC, superimposition on streaming	RTSP, SRT, UDP 4K/60p support

Generic Specification	
LED	Tally in top of lens : Green x1, Red x1, Power in front :Blue x1
Power	DC12V (AC adapter), PoE+ (IEEE802.3at standard)
Power consumption	14.5W or less
Temperature	Operating: 0°C ~ 40°C Storage: -40°C ~ 60°C
Humidity	Operating: 30% to 80% Storage: Under 85%
Dimensions (W x H x D)	223.0mm x 166.4 x 155.0mm
Net Weight	Approx. 2.0 kg

Rear Panel



NDI® is a registered trademark of Vizrt Group.
Product and company names mentioned here are trademarks or registered trademarks of their respective owners. HDMI, the HDMI logo and High-Definition Multimedia Interface are trademarks or registered trademarks of HDMI Licensing LLC.
QR Code is a registered trademark of Denso Wave Incorporated.

Simulated pictures. Values for weight and dimensions are approximate. E.&O.E. Design and specifications subject to change without notice. Copyright © 2024, JVCKENWOOD Corporation. All Rights Reserved.

Product Page



www.jvc.com/usa/pro/professional-video/#ptz-cameras

Promotions



www.jvc.com/usa/pro/professional-video/promotions/

KY-PZ540 Videos



Visit JVC's
YouTube Channel
youtube.com/@JVCProUSA

Contact Us



www.jvc.com/usa/pro/support/

Where To Buy



www.jvc.com/usa/support/locator/

