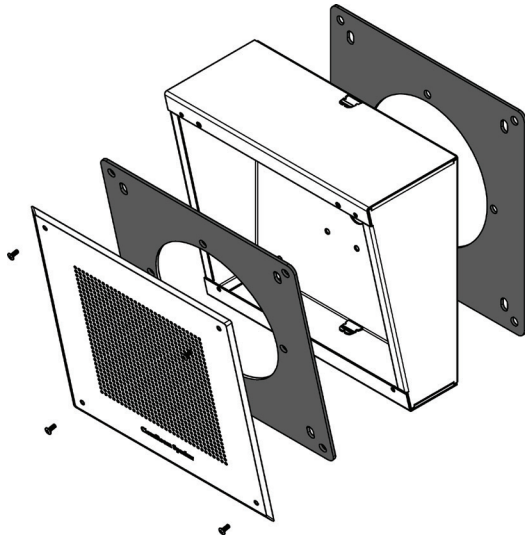


Quam SYSTEM 2CR

Installation Instructions

PREPARATION

The SYSTEM 2CR is a complete speaker assembly with loudspeaker, baffle, backbox and sealing gaskets.



INSTALLATION

- A) Select a field wiring entry point from the top, bottom or rear of the SE2WVP backbox. The top and bottom field wiring entry points are designed for surface mount wiring. If surface mount wiring is used, remove the desired knockout in the top or bottom of the backbox to allow entry of field wiring into the backbox. Remove only the knockout being used for entry of field wiring. The rear field wiring entry is designed for electrical conduit.
- B) Orient the backbox to allow field wiring entry in the backbox at your selected location. Using the backbox as a template, mark the locations of the outer mounting holes on the installation surface. See **FIGURE 1** for mounting hole locations. Outer mounting holes are 8 7/8" apart, horizontally and vertically. Note: if using the large, round, center wire entry hole (7/8" diameter), in the center of the backbox, properly align the backbox to allow entry of the audio source wires.

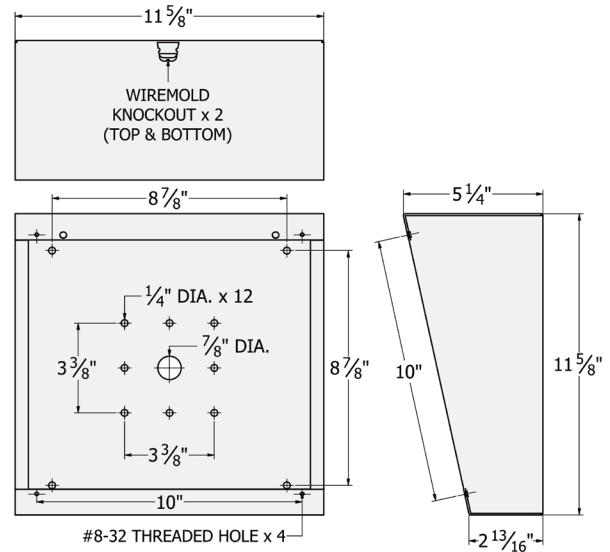


FIGURE 1

- C) Install appropriate mounting anchors per manufacturer's specification. Anchors must be rated to support a minimum of 15 lbs.
- D) Place the backbox over the mounting anchors and attach using screws supplied with mounting anchors. Verify the backbox is securely fitted to the mounting surface and cannot be removed.

TERMINATION

- A) Feed audio source cable into backbox through desired entry hole and terminate as shown in specific wiring instructions.
- B) Connect the audio source field wiring to the desired speaker tap power level. See **FIGURE 2** for speaker tap power level for each color coded wire. Use UL Listed connectors to secure the wires together to meet local code and AHJ requirements.

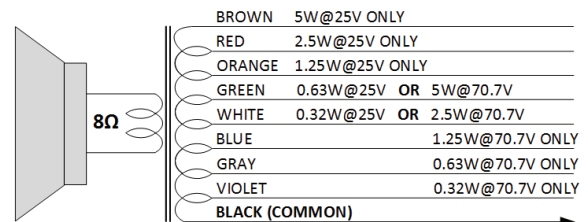


FIGURE 2

IMPORTANT: Be sure to insulate all unused wires from each other, the enclosure, and electrical ground.

- C) Attach baffle/speaker assembly to the backbox using four (4) screws supplied with the SYSTEM 2CR.