

CERTIFICATION

UL Listed 1480A (Type G):
UL Listed 2043:

When installed per supplied installation instructions and requirements of NEC/AHJ Suitable for use in air-handling spaces. Material and construction permits use where ceiling plenum is part of the air handling system

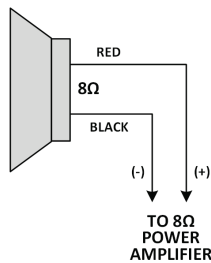
INSTALLATION INSTRUCTIONS

- If cutting a ceiling tile is required:
 - 2' x 2' tile – No cutting required.
 - 2' x 4' tile – Cut tile in half on 4' side.
- Install a 24" T-bar trim piece where required (not supplied).

Required only if using conduit clamp fitting **other than what is provided with product.**

- Loosen, but do not remove screws** on cover plate; slide plate to large keyhole position and lift plate from assembly.
- Remove cable/conduit clamp fitting from cover plate;** Install UL Listed metallic enclosure entry fitting for plenum cable or flex whip.
- Feed supply cable through whip to speaker wires.** Make connections per wiring diagram; Use appropriate connectors to meet any required codes.
- Replace cover plate and tighten cover plate screws. When cover plate is secured, all connections/splices must be inside of the enclosure.

- Make the following field wiring connections to an 8 Ohm amplifier.

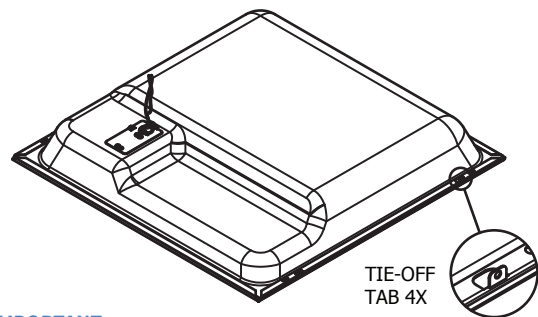


- Connect the positive (RED) wire from the SYSTEM 17/8 to the positive lead from the field wiring.
- Connect the negative (BLACK) wire from the SYSTEM 17/8 to the negative lead from the field wiring. All connections/splices must be inside of the enclosure.
- Tighten screws on cable clamp.

IMPORTANT:

- **Verify all code requirements with local AHJ before selecting connection method.**
- **Using code compliant connectors for all field wiring.**

- Place assembly onto ceiling grid.

**IMPORTANT:**

- **AHJ/ local codes may require tie-off to structure. Bend up tie-off tabs as shown above and install as directed.**
- **AHJ/ local codes may require tie-down to grid. Recommended fasteners (not supplied): Quam Kit #118 includes twelve (12) hold down clamps and twenty-four (24) self-drilling screws. Place clamp over tile grid support rail and edge of speaker assembly, insert two (2) screws into clamp and tighten.**

- Place remaining ceiling tile into grid opening as required.