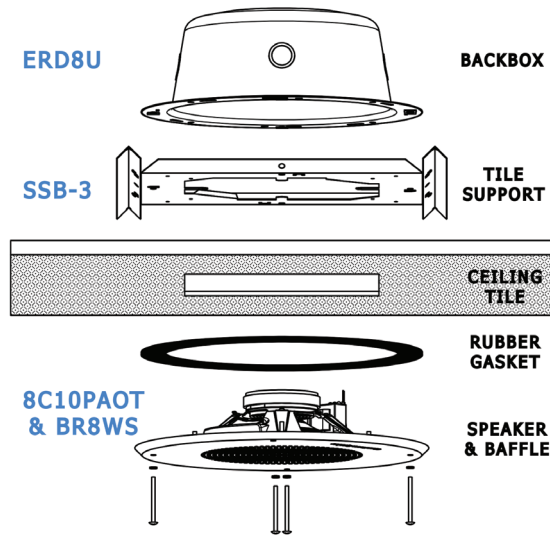


Quam SOLUTION 1CR

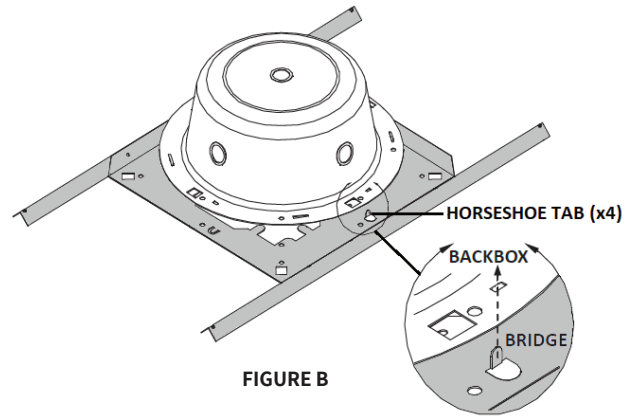
Installation Instructions

PREPARATION

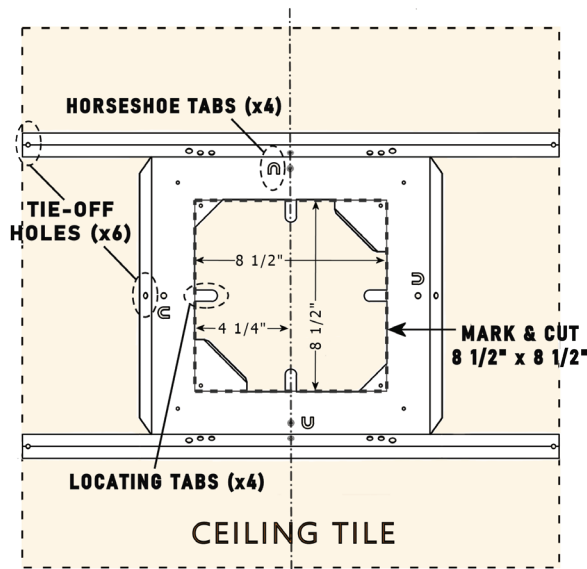
All mounting hardware is included with the SOLUTION 1CR.



- D) Install UL Listed cable clamp or plenum whip to meet local code or AHJ requirements.
- E) If install strap(s) is needed for structural tie-off, insert strap(s) into slots in backbox.
- F) Orient the backbox over the tile bridge, line up (4) slots in the backbox with the (4) horseshoe tabs on the mounting support as shown in **FIGURE B**.



INSTALLATION



- A) Mark and cut an 8 1/2" square hole centered in the ceiling tile using the SSB-3 tile bridge as a template as shown in **FIGURE A**.
- B) In the tile bridge, bend the (4) horseshoe tabs up 90°.
- C) Choose a field wiring entry point to the ERD8U backbox and remove either 1/2" or 3/4" knock-out as required.

- G) With pliers or fingers, bend the horseshoe tabs towards the tile bridge, securing the backbox to the tile bridge.
- H) If structural tie-off is necessary, securely attach customer supplied wire to building and to the backbox strap(s) or tie-off holes in the tile support bridge.
- I) Position the tile bridge on the plenum side (top) of the ceiling tile with flat (open) side of tile bridge laying on ceiling tile as shown in the exploded view above.
- J) Bend (4) locator tabs around the opening in tile.
- K) Install speaker/baffle from front side of ceiling tile and fasten to tile bridge and backbox with (4) #8-32 screws provided with speaker/baffle assembly.

TERMINATION

Feed supply cable through cable clamp or whip and terminate as shown in specific wiring instructions. Refer to label on loudspeaker magnet for termination options and wiring information.

- **Be sure to insulate all unused speaker tap wires from each other, the enclosure, and electrical ground.**
- AHJ/ local codes may require tie-off to structure. Using hole indicated in Figure A of the SSB-3 tile bridge, connect to structure with customer supplied wiring.
- AHJ/ local codes may require tie-down to ceiling grid. Using hole in the end of the support rail of the SSB-3 tile bridge, connect to a hole in ceiling grid with customer supplied wiring.