



SR Series

SR-1590

Cinema Surround Loudspeaker

Features

- High Performance for immersive surround applications
- 15" (380 mm) woofer with 3" (76 mm) voice coil
- 3" voice coil (76 mm) coaxially-mounted high frequency driver
- Pre-installed mounting hardware with multiple suspension options
- Very high-power handling and low impedance meets the demands of object-based immersive audio formats



New object-based cinema sound formats require higher output and more flexible mounting options. The SR-1590 addresses these requirements with a unique high-power coaxial LF/HF driver and enclosure design. The result is a surround loudspeaker with high-power handling, excellent sensitivity, and extended bass response in a uniquely compact enclosure.

The SR-1590 Cinema Surround Loudspeaker features a high-power, long-throw 15" (380 mm) low-frequency transducer with a coaxially-mounted titanium diaphragm compression driver with 3" voice coil. The coaxial alignment of the drivers occupies less baffle area compared to traditional over-under driver designs, reducing the size of the cabinet while maximizing output capability. Coaxial alignment also creates a "point source" radiation characteristic, so all frequencies are perfectly aligned through the crossover region, resulting in better sound quality. Since the coaxial driver inherently produces a conical dispersion pattern, the enclosure can be rotated without any effect on the coverage pattern.

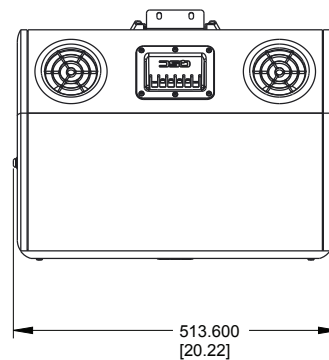
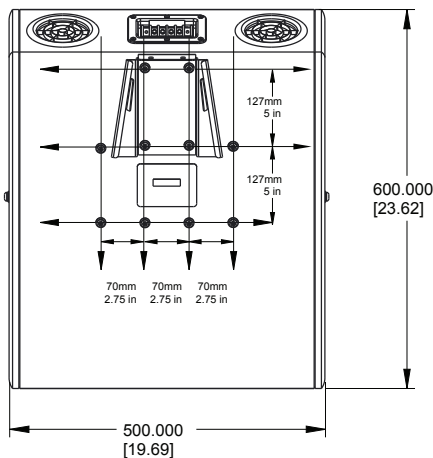
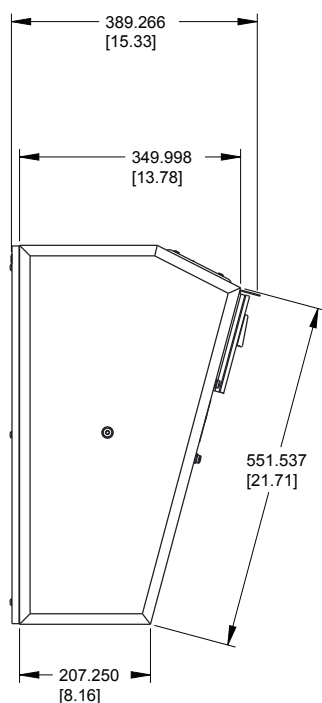
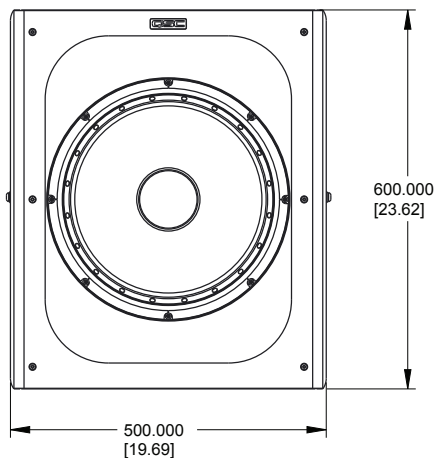
The loudspeaker's 4 ohm impedance rating allows it to draw more power from the amplifier compared to an 8 ohm loudspeaker. For object-based immersive audio formats where each surround

loudspeaker requires its own separate channel, this means more power will be delivered to each loudspeaker, allowing them to produce maximum output from lower-powered multi-channel amplifiers. The 500 watt continuous power rating and sophisticated crossover with protection circuitry provides absolute reliability.

The SR-1590 is designed for safe and secure overhead mounting. The cabinet is constructed of 15-mm Baltic birch plywood with internal bracing for superior structural integrity. The rear panel of the cabinet is fitted with ten threaded insert mounting points that accommodate the standard bolt pattern for most third-party bracket manufacturers. A set of four mounting points centered on the cabinet's rear panel allows the use of a multiple angle aiming bracket for ceiling mount applications where the loudspeaker needs to be aimed directly downward. Included pre-installed speaker-side hardware allows fast single-installer wall mounting, and brackets support down-angles of either 15° (QM-SW, ordered separately) or 23° (QM-BW, ordered separately). Greater horizontal pan angles can be achieved by using the outer set of threaded inserts toward the direction of the panning. A traditional U-bracket (YM-500) is also available. A forged steel eyebolt is included for safety cable attachment. The compact black enclosure with black grille blends into any theatre decor.

SR-1590 Details

Dimensions:



Specifications

System Details	SR-1590
Rated Coverage Angle	(-6 dB) 90° conical (averaged from 1 kHz to 8 kHz)
Frequency Range ¹ (-10 dB)	50 Hz to 20 kHz
Rated Noise Power ²	500 W
Sensitivity ³	98 dB
Maximum Continuous SPL ⁴	125 dB
Maximum Peak SPL ⁴	131 dB
Rated Impedance	4Ω nominal
Maximum Recommended Amplifier Power	1000 W
Transducer	15" (380 mm) LF driver with coaxially-mounted 3" voice coil HF driver
Enclosure Details	SR-1590
Input Connector	4-position barrier strip, accepts up to #10 AWG stranded wire
Enclosure Material	15 mm Baltic birch plywood, non-reflective black vinyl
Dimensions	23.6 x 19.7 x 14.2 inches/605 x 500 x 360 mm
Net Weight	48 lb/22 kg
Brackets	QM-SW, QM-BW, YM-500

As part of QSC's ongoing commitment to product development, specifications are subject to change without notice.

¹ Free-field, -10 dB from on-axis sensitivity

² AES2-1984 noise signal for 2 Hrs

³ On-Axis, free-field sensitivity, 1W, 1 m

⁴ Calculated from rated noise voltage and sensitivity

QSC

**Preliminary
Specifications**

1675 MacArthur Boulevard • Costa Mesa, CA 92626 • Ph: 800/854-4079 or 714/957-7100 • Fax: 714/754-6174

© 2016 QSC, LLC all rights reserved. QSC and the QSC logo are registered trademarks of QSC, LLC in the U.S. Patent and Trademark office and other countries. All other trademarks are the property of their respective owners. Patents may apply or be pending.

SR-1590 Spec Sheet 04/25/2016



please recycle