

# Yoke Mount Bracket



## User Manual

---

### **QSC Cinema Surround Loudspeakers Mounting Yokes**

**YM-300 – SR-18, SR-110B, SR-800, SR-1000 SR-8101, SR-8100**

**YM-360 – SR-26 (only)**

**YM-46 – SR-26, SR-46, SR-8200**

**YM-400 – SR-1020, SR-1030, SR-1290**

**YM-500 – SR-1590**

TD-000376-01-C



# EXPLANATION OF SYMBOLS

The term "**WARNING!**" indicates instructions regarding personal safety. If the instructions are not followed the result may be bodily injury or death.

The term "**CAUTION!**" indicates instructions regarding possible damage to physical equipment. If these instructions are not followed, it may result in damage to the equipment that may not be covered under the warranty.

The term "**IMPORTANT!**" indicates instructions or information that are vital to the successful completion of the procedure.

The term "**NOTE**" is used to indicate additional useful information.



The intent of the lightning flash with arrowhead symbol in a triangle is to alert the user to the presence of un-insulated "dangerous" voltage within the product's enclosure that may be of sufficient magnitude to constitute a risk of electric shock to humans.



The intent of the exclamation point within an equilateral triangle is to alert the user to the presence of important safety, and operating and maintenance instructions in this manual.



## IMPORTANT SAFETY INSTRUCTIONS



**WARNING!:** Before placing, installing, rigging, or suspending any speaker product, inspect all hardware, suspension, cabinets, transducers, brackets and associated equipment for damage. Any missing, corroded, deformed or non-load rated component could significantly reduce the strength of the installation, placement, or array. Any such condition severely reduces the safety of the installation and should be immediately corrected. Use only hardware which is rated for the loading conditions of the installation and any possible short-term unexpected overloading. Never exceed the rating of the hardware or equipment. Consult a licensed, professional engineer when any doubt or questions arise regarding a physical equipment installation.

1. Keep these instructions.
2. Heed all warnings.
3. Follow all instructions.
4. Clean only with a dry cloth.
5. Do not install near any heat sources such as radiators, heat registers, stoves, or other apparatus (including amplifiers) that produce heat.
6. Only use attachments/accessories specified by the manufacturer.
7. Adhere to all applicable, local codes.
8. Consult a licensed, professional engineer when any doubt or questions arise regarding a physical equipment installation.

## Warranty

For a copy of the QSC Limited Warranty, visit the QSC website at [www.qsc.com](http://www.qsc.com)

## Unpacking

Quantity	Description
1	Yoke Mount Bracket <sup>1</sup>
2	Gasket, self-adhesive

<sup>1</sup> One of the following Yoke mounting brackets is included. Make sure you have the correct yoke for your loudspeaker.

**YM-300** – SR-18, SR-110B, SR-800, SR-1000 SR-8101, SR-8100

**YM-400** – SR-1020, SR-1030, SR-1290

**YM-360** – SR-26 (only)

**YM-500** – SR-1590

**YM-46** – SR-26, SR-46, SR-8200

# Installation Instructions

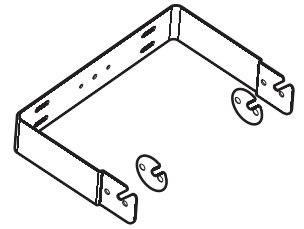
These yoke-mount brackets are designed for QSC's SR-series cinema surround loudspeakers. Read the instructions before beginning. Follow these instructions carefully.

Installing loudspeakers must be performed by experienced professionals. Incorrectly installed loudspeakers may result in property damage, injury or death.

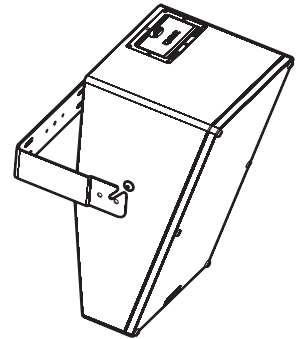


**WARNING!:** Before placing, installing, rigging, or suspending any speaker product, inspect all hardware, suspension, cabinets, transducers, brackets and associated equipment for damage. Any missing, corroded, deformed or non-load rated component could significantly reduce the strength of the installation, placement, or array. Any such condition severely reduces the safety of the installation and should be immediately corrected. Use only hardware which is rated for the loading conditions of the installation and any possible short-term unexpected overloading. Never exceed the rating of the hardware or equipment. Consult a licensed, professional engineer when any doubt or questions arise regarding a physical equipment installation.

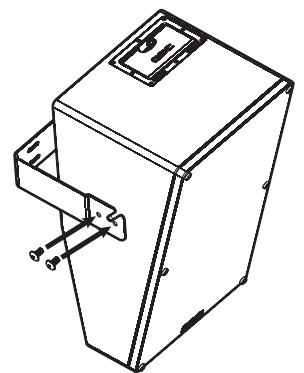
1. Locate mounting area where the loudspeaker will be installed. It must be a structurally sound area with adequate strength to support at least five times the weight of the loudspeaker.
2. Using the yoke as a template, mark the bracket's slots onto the mounting surface. Select and install the appropriate mounting hardware (not included). Ensure the bracket is secured to the mounting surface before attaching the loudspeaker.
3. Decide which mounting holes to use for attaching the loudspeaker. For wall mounted installations use the open slots. For ceiling mounted applications, do not use the open arm slots. Attach the loudspeaker to the bracket using the captive holes only for ceiling installations.
4. Remove the non-stick backing from each gasket and stick the gasket to the inner surface of each arm of the bracket with its holes and slot aligned (Figure 1).
5. Do one of the following:
  - a. If using the open slots, install the mounting screws, washers and split lock washers by threading the screws in about half way. Lift the loudspeaker into place and align the screws with the open slots (Figure 2); set in place and hand-tighten the screws. Tilt the loudspeaker to the desired angle and tighten screws securely. For more permanent installation use the captive holes.
  - b. If using the captive holes, have an assistant lift the loudspeaker into place and install the screws through the appropriate captive holes (Figure 3) and hand-tighten. Tilt the loudspeaker to the desired angle and tighten the screws securely.



— Figure 1 —



— Figure 2 —



— Figure 3 —



Mailing Address:

QSC, LLC

1675 MacArthur Boulevard

Costa Mesa, CA 92626-1468 USA

Telephone Numbers:

Main Number: (714) 754-6175

Sales & Marketing: (714) 957-7100 or toll free (USA only) (800) 854-4079

Customer Service: (714) 957-7150 or toll free (USA only) (800) 772-2834

Facsimile Numbers:

Sales & Marketing FAX: (714) 754-6174

Customer Service FAX: (714) 754-6173

World Wide Web:

[www.qsc.com](http://www.qsc.com)

E-mail:

[info@qsc.com](mailto:info@qsc.com)

[service@qsc.com](mailto:service@qsc.com)