

E Series



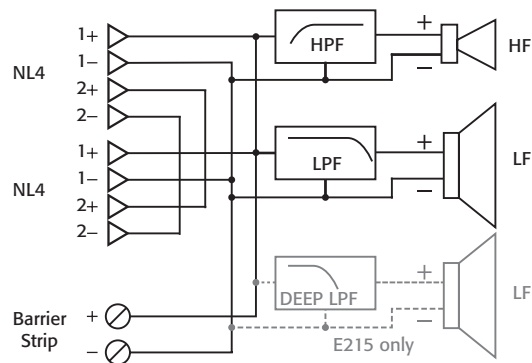
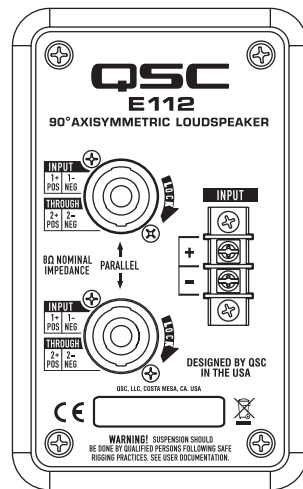
Quick Start Guide

Input Configuration

E Series two-way loudspeakers and subwoofers are designed for externally powered operation. Pass-throughs permit connection to multiple loudspeakers. The two-way models feature internal passive crossovers for full-range operation. To use them with subwoofers, use an active crossover and separate amplification to split the subwoofer frequencies and the remainder of the audio spectrum.

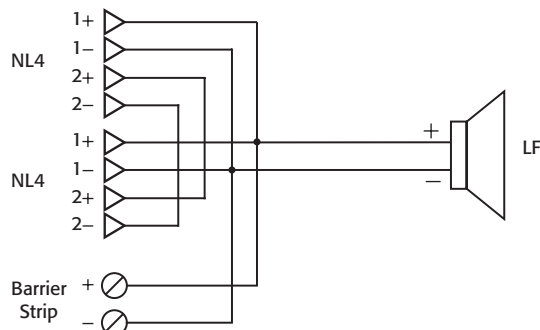
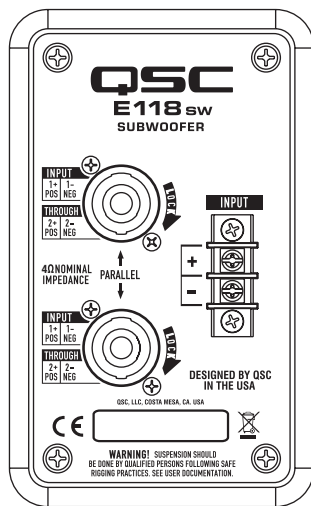
PLD and GXD Series amplifiers have E Series voicings available in their presets and loudspeaker profiles. TouchMix digital mixers also have E Series voicings available, for use in systems that don't have PLD or GXD Series amplifiers.

E Series E110, E112, E115, E215 Block Diagram and Input Plate



– Figure 1 –

E Series E118sw, E218sw Block Diagram and Input Plate



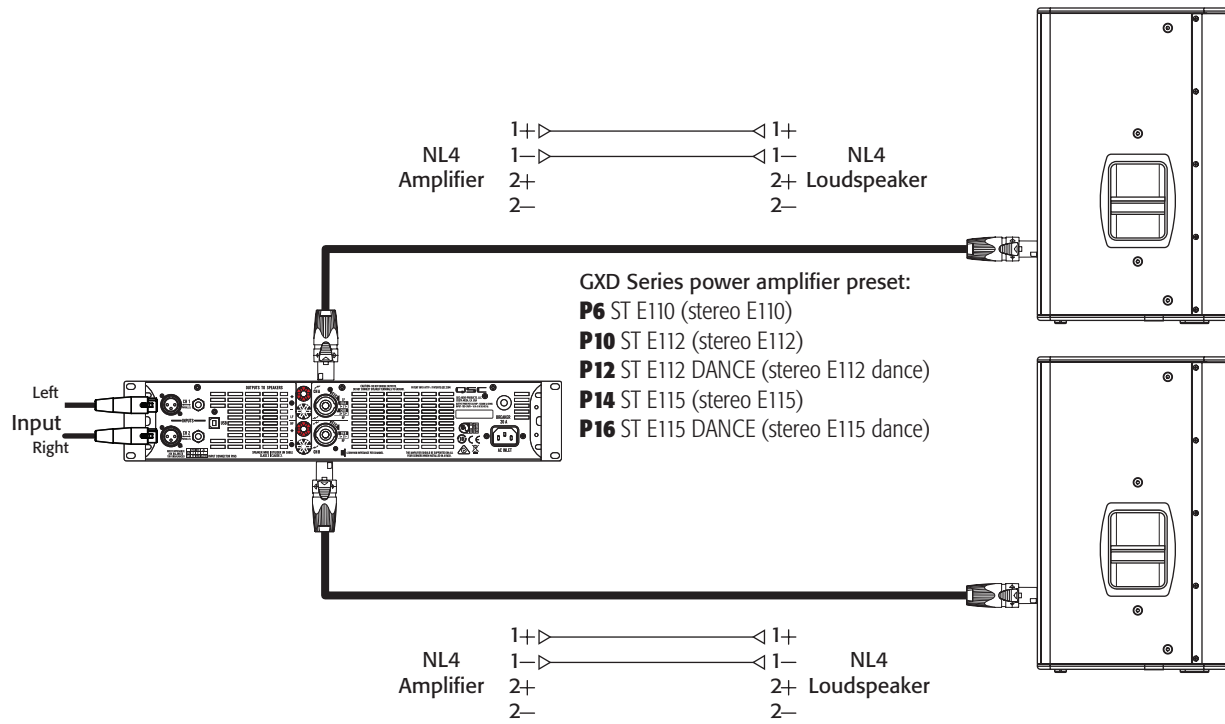
– Figure 2 –

TD-000525-00-F



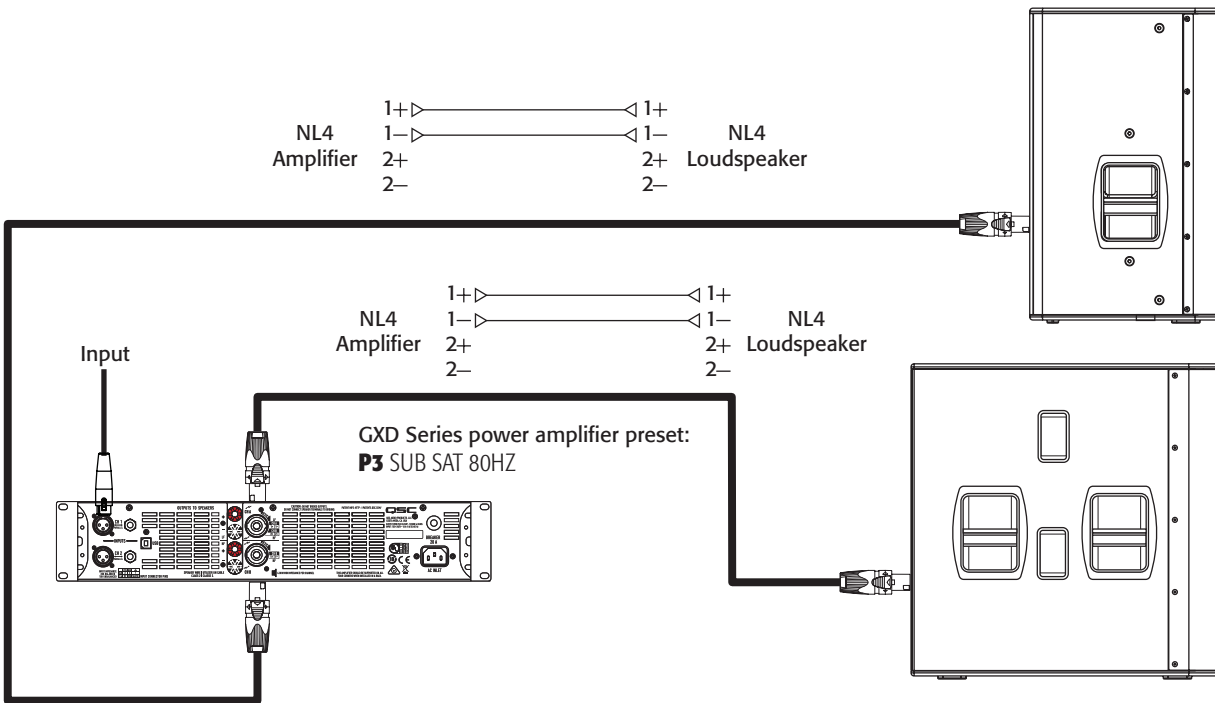
Connections

Full Range Stereo System



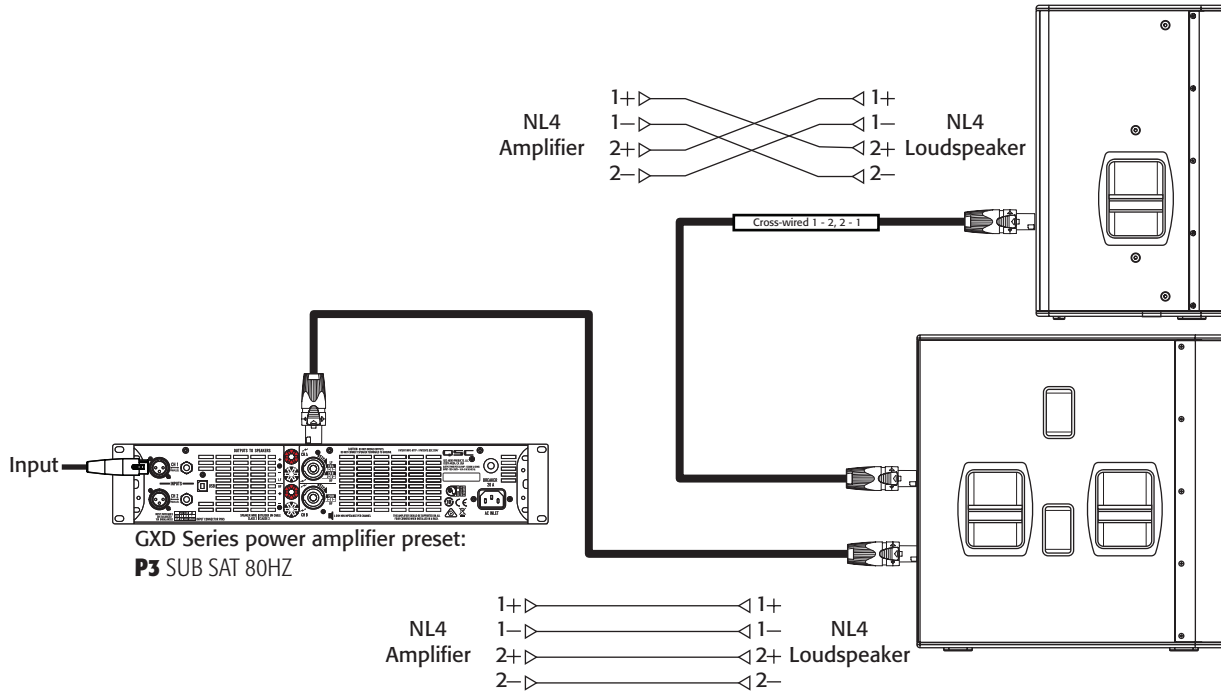
– Figure 3 –

Single Channel, Sub / Satellite Option 1



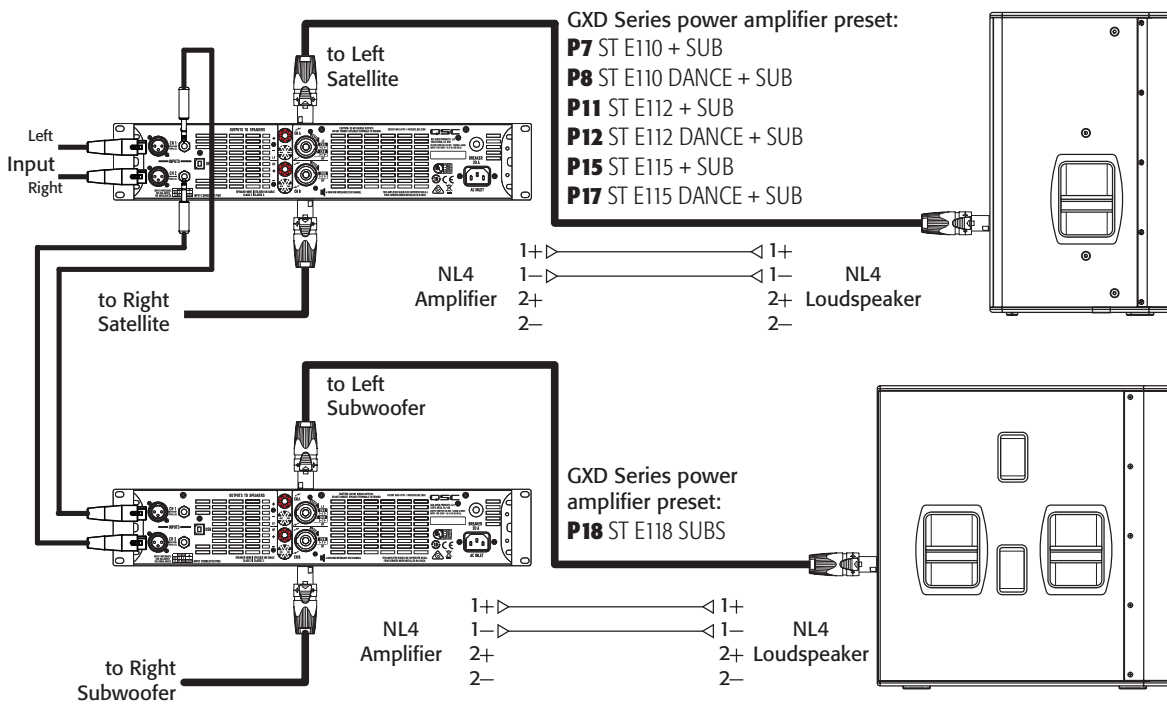
– Figure 4 –

Single Channel, Sub / Satellite Option 2



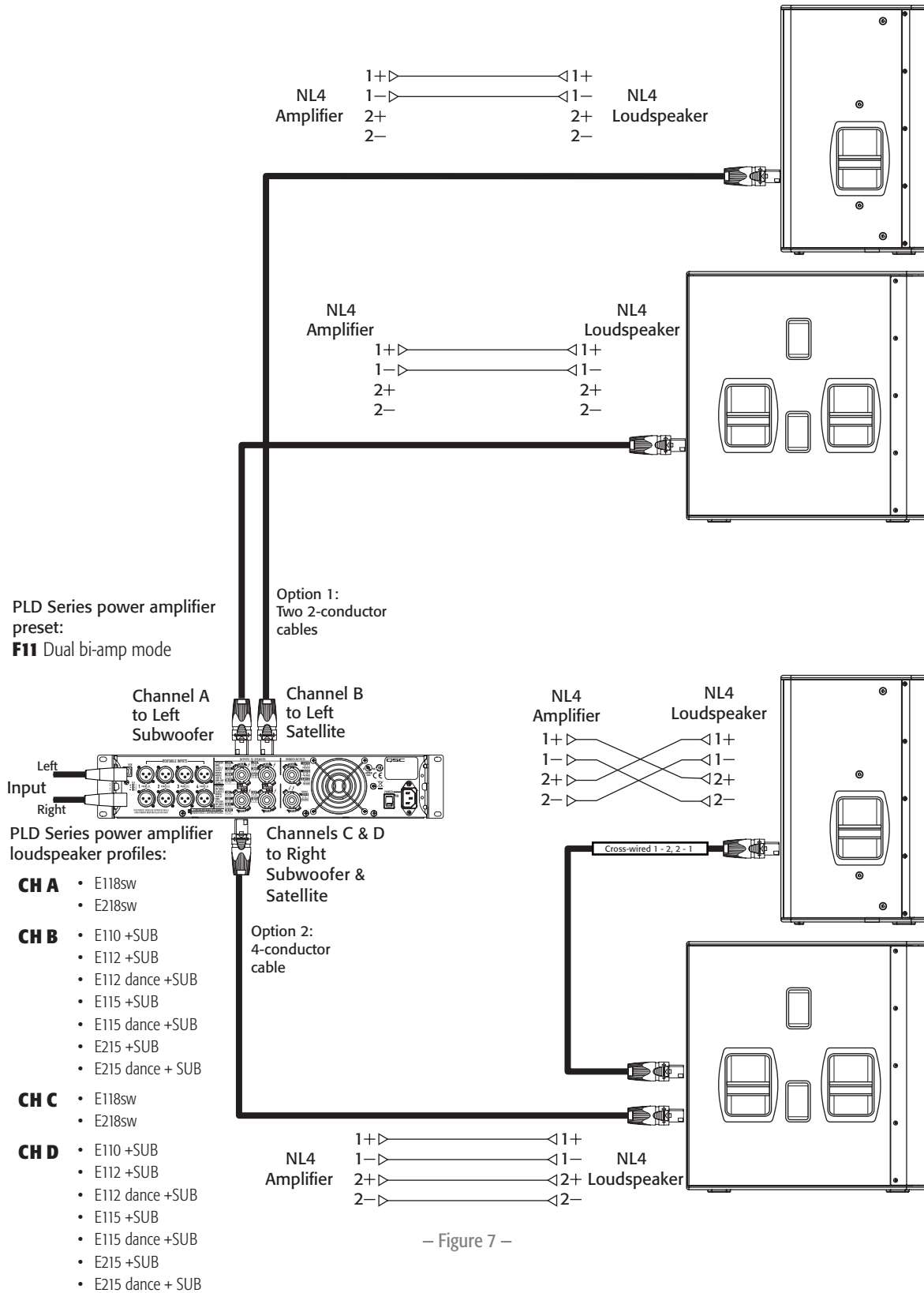
- Figure 5 -

Dual Channel, Sub / Satellite System



- Figure 6 -

Dual Channel, Sub / Satellite System with 4-channel PLD



– Figure 7 –

Pole Mounting on E118sw

The E Series loudspeakers (E110, E112, E115) can be mounted above the E118sw subwoofer using the 36-inch pole included with the subwoofer.

NOTE: The E215 loudspeaker does not offer a pole mounting option.



WARNING! This pole, if used inappropriately, may make the loudspeaker system top-heavy and hazardous. Ensure that your system will resist tipping and that it sits on a solid, level surface.



WARNING! Always use two persons to lift the loudspeaker onto the pole. Do not move a subwoofer if a loudspeaker and pole are mounted on it.

Refer to – Figure 8

1. Place the E118sw subwoofer (1) on a solid level surface positioned where you want to use it.
2. Screw the threaded end of the 36-inch mounting pole (3) clockwise into the pole-mounting bracket (2) on top of the subwoofer. Hand tighten only.
3. Select one of the two pole mount cups on the E Series loudspeaker:
 - The rear cup (4) has no tilt.
 - The front cup (5) gives a downward tilt of 10°.
4. Carefully place the loudspeaker onto the pole.

Installation Options

The following options require purchasing an accessory kit designed for the E Series loudspeakers.

Yoke Mounting the Loudspeakers

A yoke accessory allows the E110, E112, or E115 to be mounted on a surface, such as a wall or ceiling. The E118sw and E218sw subwoofers cannot be yoke-mounted. Each model has a corresponding yoke accessory kit:

- E110 Yoke Accessory Kit: **E110 Yoke**
- E112 Yoke Accessory Kit: **E12 Yoke**
- E115 Yoke Accessory Kit: **E15 Yoke**

Suspending the Loudspeakers

A pair of E110 loudspeakers can be suspended using the M8 Suspension Kit **M8 KIT A**, which contains six eye bolts and six washers.

To suspend an E112, E115, or E215 loudspeaker, use the **M10 KIT-W**, which contains three eye bolts.

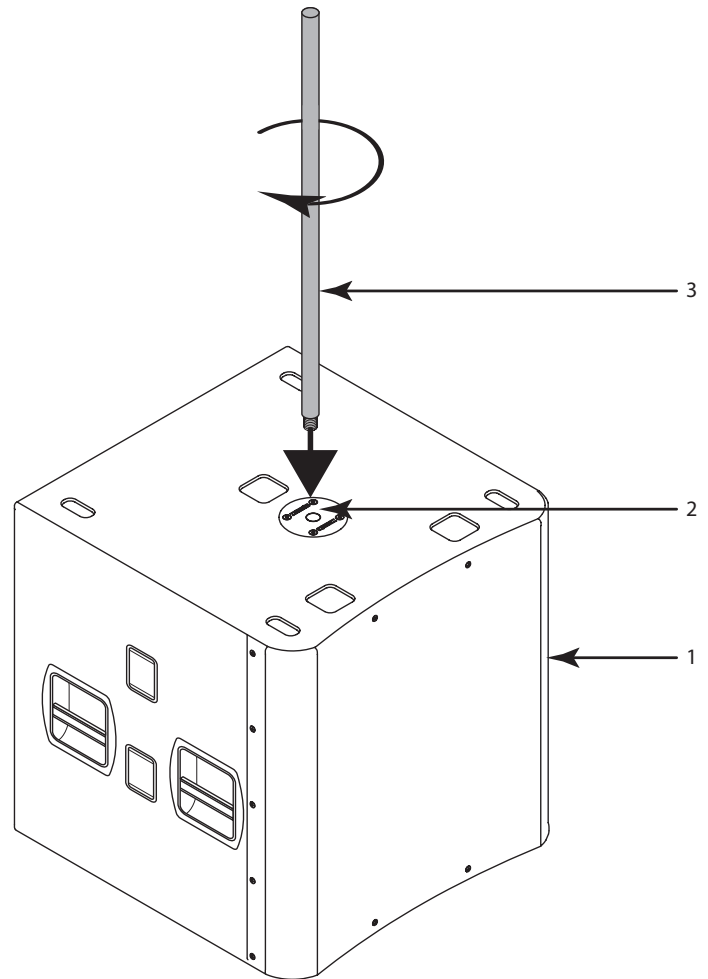
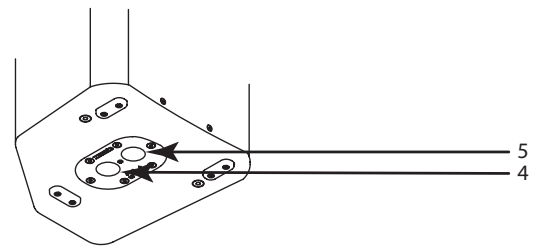
The E118sw and E218sw subwoofers cannot be suspended.

Always consult a licensed and qualified rigger or structural engineer before suspending any loudspeaker.

Subwoofer Caster Kits

Optional casters are available to install on the subwoofer models to make them more mobile and ideal for use in portable sound systems.

Both the E118sw and the E218sw subwoofers use a kit of two locking and two non-locking 4-inch casters with 16 mounting screws, QSC part number FG-901156-00 (one kit needed per subwoofer).



– Figure 8 –



Mailing Address:

QSC, LLC
1675 MacArthur Boulevard
Costa Mesa, CA 92626-1468 USA

Telephone Numbers:

Main Number: +1 (714) 754-6175
Sales & Marketing: +1 (714) 957-7100 or toll free (USA only) (800) 854-4079
Customer Service: +1 (714) 957-7150 or toll free (USA only) (800) 772-2834

Facsimile Numbers:

Sales & Marketing FAX: +1 (714) 754-6174
Customer Service FAX: +1 (714) 754-6173

World Wide Web:

www.qsc.com

E-mail:

info@qsc.com
service@qsc.com
tech_support@qsc.com

© 2023 QSC, LLC. All rights reserved. QSC and the QSC logo are registered trademarks of QSC, LLC in the U.S. Patent and Trademark office and other countries. All other trademarks are the property of their respective owners.

<http://patents.qsc.com>.