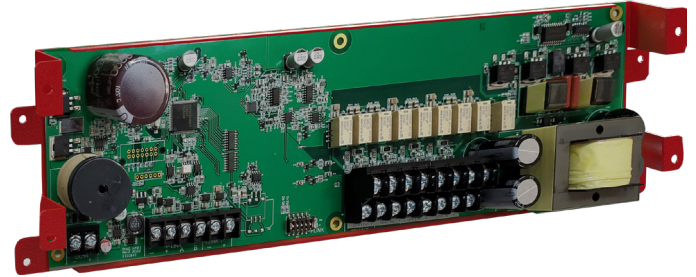


Features

- Small form 50W amplifier
- Single Channel
- 25VRMS and 70VRMS selectable
- 4 Class B or 4 Class A speaker outputs
- P-Link device
- Equipped with stacker bracket for secure and accessible mounting
- May mount in IPA-4000V, AFC-1000V, LOC-1000 and PSN-1000E
- The IPA-4000V, AFC-1000V and LOC-1000 can house (1) one SCA-5070INT
- The PSN-1000E can house a maximum of (2) two SCA 5070INT



DESCRIPTION

The SCA-5070INT is a small form single channel 50W amplifier that can be mounted in the IPA-4000V, AFC-1000V, LOC-1000 and PSN-1000E. The amplifier is mounted to an exclusive stacker bracket for secure and accessible mounting. The SCA-5070INT provides 4 Class B or 4 Class A speaker circuits. The SCA-5070INT communicates via the P-Link communication bus and audio is distributed through the V-Link 1 audio riser. The amplifier is powered by a constant 24VDC provided by the fire panel or PSN-1000 NAC circuit. The SCA-5070INT can support either 25V or 70V speaker circuits. The speaker circuit voltage is set using the panel programming software. The IPA-4000V supports up to thirty-one (31) amplifiers and the AFC-1000V supports up to 10 amplifiers. All circuits are power-limited and supervised.

Installation

The SCA-5070INT is equipped with a stacker bracket for secure and accessible mounting and can be mounted in the IPA-4000V, AFC-1000V, LOC-1000 and PSN-1000E. The amplifier communicates using a 4-wire Power and RS-485 communication connection called P-Link. Audio is delivered through the audio riser via V-Link 1. A 15K end of line resistor must be placed on the last device connected to the V-Link circuit. The SCA-5070INT is required to be powered by a NAC circuit configured with the Potter Programmer to provide constant 24VDC. All connections are power limited and supervised.

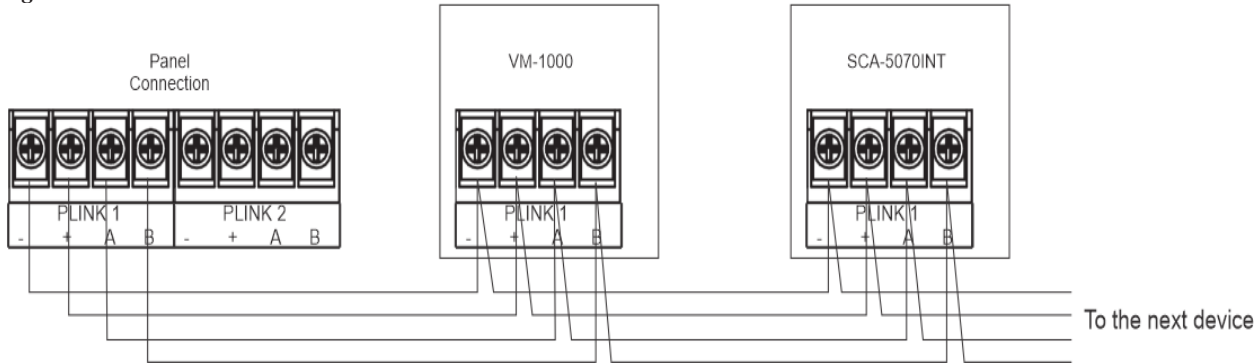
SCA-5070INT: A maximum of 50W per circuit at 25VRMS and 70VRMS.

Technical Specifications

Standby Current	50 mA
Alarm Current	138 mA
Operating Temperature Range	32° to 120° F (0° to 49°C)
Operating Humidity Range	10% to 93% (non-condensing)

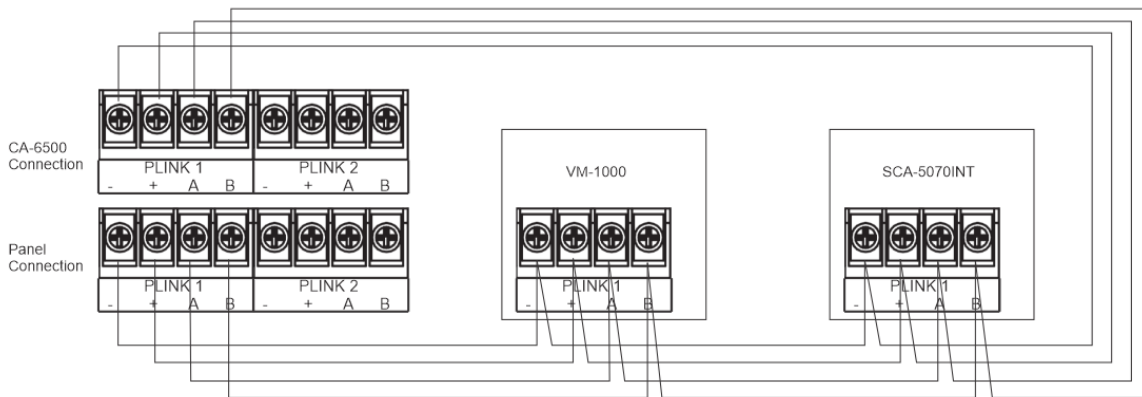
P-Link Class B Wiring

Fig 1



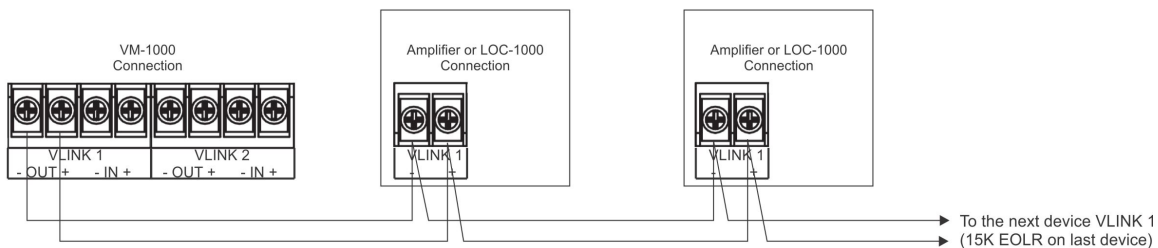
P-Link Class A Wiring

Fig 2



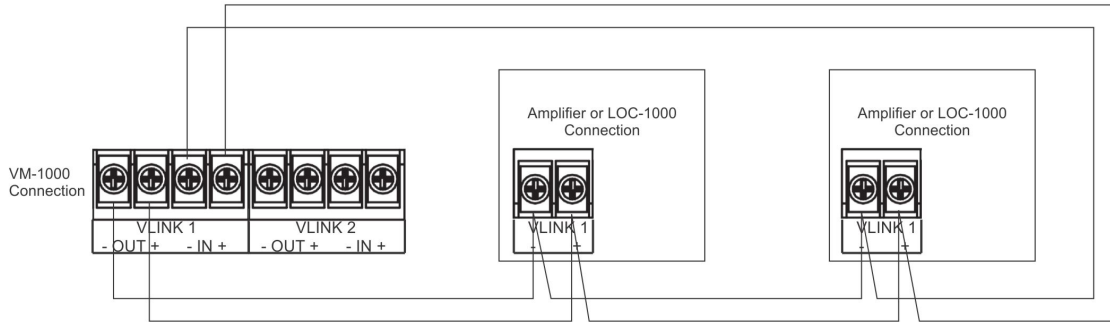
V-Link Class B Wiring

Fig 3



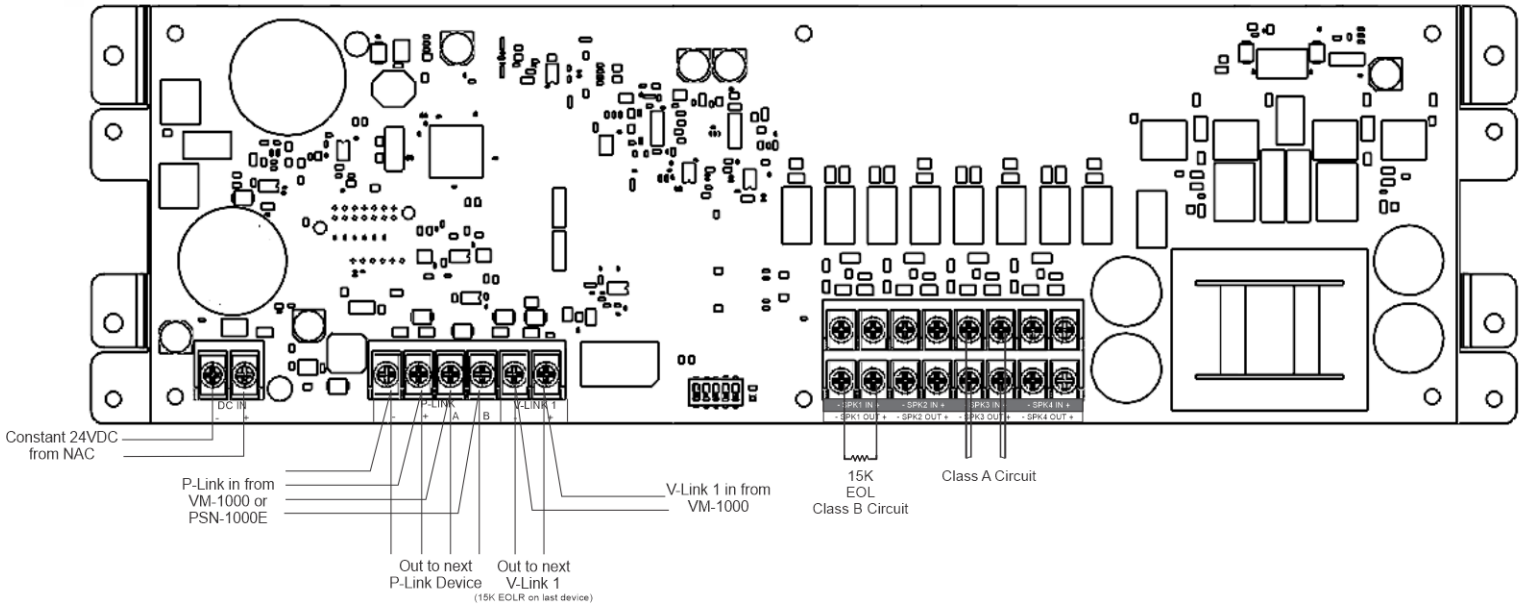
V-Link Class A Wiring

Fig 4



SCA-5070INT INSTALLATION

Fig 5 SCA-5070INT Connections



Ordering Information

Model	Description	Stock No.
SCA-5070INT	SINGLE CHANNEL 50W, 25V OR 70V SELECTABLE INTEGRATED AMPLIFIER	3520665