

ELP PAR

STATIC RGBW LED PAR FIXTURE WITH ZOOM

SPEC SHEET



The Martin ELP PAR static LED fixture sets a new standard in the static wash category, with unprecedented lumen output, high-intensity narrow zoom, full-gamut color calibration and smart rigging and control features.

The ELP PAR makes installation faster and easier, thanks to a quick-focus system and bright angle of projection indicators. Other performance enhancements include a wide zoom range that allows both stage illumination and tight mid-air beam effects, an advanced color-calibration system that delivers accurate color reproduction and precise color temperature control, an extended color mode and a CTC channel that can modify RGB channels.

Whether lighting a theatre production, festival, exhibition or corporate event, fill the stage with color and create stunning beam effects with this versatile LED fixture that sets a new performance benchmark in its class.

KEY MESSAGES

BRIGHTNESS THAT GOES THE DISTANCE

The ELP PAR delivers a class-leading 3,500 lumens of output—double the brightness of the previous generation—thanks to its newly designed 7 x 40W RGBW light engine. It's perfect for covering larger stages that require long throw distances.

SMART SETUP FEATURES

Streamline setup with smart rigging and control features, including omega-bracket-connectivity and bright angle of projection indicator marks for quick and repeatable installation. With the push of a button, the fixture temporarily switches to full-power/open-white/adjustable-zoom settings to instantly confirm projection and focus.

HIGH-INTENSITY ZOOM

ELP PAR's next-generation zoom system excels at creating both broad washes and high-intensity mid-air effects, bringing new flexibility to the lighting designer's toolbox.

FULL-GAMUT COLOR CALIBRATION

The ELP PAR features a full-gamut color-calibration system, which allows consistent color reproduction from fixture to fixture and supports a dedicated color temperature control channel for adjusting the color space from the desired color temperature.

HARMAN PROFESSIONAL INC. | 8500 BALBOA BOULEVARD | NORTHRIDGE | CA 91329 | USA | +1 818 893 8411

©2022 HARMAN Professional. All rights reserved. Martin® is a registered trademark of HARMAN Professional Inc. registered in the United States and/or other countries. Features, specifications, and appearance are subject to change without notice. Rev. 03.28.2022

Martin[®]
by HARMAN

ELP PAR

STATIC RGBW LED PAR FIXTURE WITH ZOOM

SPEC SHEET

ORDERING INFORMATION

MODELS

- ELP PAR in cardboard box MAR-90800000

INCLUDED ITEMS

- Adjustable mounting bracket

RELATED ITEMS

- Martin Companion software suite (incl. firmware uploader) Free download from www.martin.com
- Martin Companion Cable USB/DMX hardware interface P/N 91616091



HARMAN PROFESSIONAL INC. | 8500 BALBOA BOULEVARD | NORTHRIDGE | CA 91329 | USA | +1 818 893 8411

©2022 HARMAN Professional. All rights reserved. Martin® is a registered trademark of HARMAN Professional Inc. registered in the United States and/or other countries. Features, specifications, and appearance are subject to change without notice. Rev. 03.28.2022



ELP PAR

STATIC RGBW LED PAR FIXTURE WITH ZOOM

SPEC SHEET

ACCESSORIES

POWER INPUT CABLES

- Power Input Cable, H07RN-F, 2.5 mm², 14 AWG, bare ends to TRUE1 NAC3FX-W (female), 1.5 m (4.9 ft.)..... P/N 91611797
- Power Input Cable, H07RN-F, 2.5 mm², 14 AWG, bare ends to TRUE1 NAC3FX-W (female), 5 m (16.4 ft.)..... P/N 91611786
- Power Input Cable, SJ00W, 12 AWG, bare ends to TRUE1 NAC3FX-W (female), 1.5 m (4.9 ft.)..... P/N 91610173
- Power Input Cable, SJ00W, 12 AWG, bare ends to TRUE1 NAC3FX-W (female), 5 m (16.4 ft.)..... P/N 91610174

POWER RELAY CABLES, 16 A

- Power Relay Cable, H07RN-F, 2.5 mm², TRUE1 to TRUE1, 0.45 m (1.5 ft.)..... P/N 91611784
- Power Relay Cable, H07RN-F, 2.5 mm², TRUE1 to TRUE1, 1.2 m (3.9 ft.)..... P/N 91611785
- Power Relay Cable, H07RN-F, 2.5 mm², TRUE1 to TRUE1, 2.5 m (8.2 ft.)..... P/N 91611796
- Power Relay Cable, SJ00W, 12 AWG, TRUE1 to TRUE1, 0.45 m (1.5 ft.)..... P/N 91610170
- Power Relay Cable, H07RN-F, 2.5 mm², TRUE1 to TRUE1, 1.2 m (3.9 ft.)..... P/N 91610171
- Power Relay Cable, H07RN-F, 2.5 mm², TRUE1 to TRUE1, 2.5 m (8.2 ft.)..... P/N 91610172

POWER CONNECTORS

- Cable Connector, Neutrik powerCON TRUE1 NAC3FX-W TOP (female) P/N 91611789HU
- Cable Connector, Neutrik powerCON TRUE1 NAC3FX-W TOP (male) P/N 91611788HU

INSTALLATION HARDWARE

- Martin Omega bracket for rigging clamp attachment P/N 91602001
- Half-coupler clamp..... P/N 91602005
- G-clamp (suspension vertically downwards only) P/N 91602003
- Quick-trigger clamp (suspension vertically downwards only) P/N 91602007
- Safety cable, safe working load 50 kg P/N 91604003



ELP PAR

STATIC RGBW LED PAR FIXTURE WITH ZOOM

SPEC SHEET

TECHNICAL SPECIFICATIONS

DYNAMIC EFFECTS

Color mixing	RGBW
Color presets	48 color presets, virtual color wheel effects
Color temperature control	Variable 2,800 - 10,000 K
Electronic dimming	0 - 100%, four dimming curve options
Strobe and pulse effects	Variable speed and action, random strobe
Electronic 'shutter' effect	Instant open and blackout
Zoom	Motorized

CONTROL AND PROGRAMMING

Control options	DMX, RDM
DMX channels	14
16-bit fine control	Dimming, RGB, zoom
LED color management modes	Raw, extended and calibrated
DMX address setting	Control panel with OLED display
DMX compliance	USITT DMX512-A
RDM compliance	ANSI/ESTA E1.20

OPTICS

Light source	7 x 40 W RGBW Osram LEDs
Minimum LED lifetime	50,000 hours (to >70% luminous output)*
Beam angle (half-peak)	4.2° - 38.7°
Field angle (one-tenth peak)	5.1° - 58.6°
Cutoff angle (3%)	5.7° - 69.6°
Binning	Tight color and flux binning
Calibration	Full Gamut Color Calibration

*Figure obtained under manufacturer's test conditions

PHOTOMETRIC DATA

Wide beam	3525 lumens
Narrow beam	1445 lumens
Fixture Center Intensity Narrow Beam	390083 cd
Fixture Center Intensity Wide beam	9957 cd
CRI (Color Rendering Index)	>70
CQS (Color Quality Scale)	83
TM-30 Rf (IES TM-30-15 Fidelity Index)	77
TM-30 Rg (IES TM-30-15 Gamut Index)	117
TLCI (Television Lighting Consistency Index)	61
CCT	6000 Kelvin
LED refresh rate standard mode	3600 Hz
LED refresh rate theatre mode	19200 Hz

CONSTRUCTION

Filter mount	191 x 191 mm (7.5 x 7.5 in.)
Color	Black
Housing	Aluminum and composite
Protection rating	IP 20

INSTALLATION

Mounting points	Adjustable bracket, surface or truss mount (fits Martin Omega Bracket)
Location	Not for household use, indoor use in dry location only
Orientation	Any
Minimum distance to combustible materials	0.5 m (1.7 ft.)
Minimum distance to illuminated surfaces	1 m (3.3 ft.)
Minimum clearance around fans and vents	0.5 m (1.7 ft.)

CONNECTIONS

AC power input	Neutrik PowerCON TRUE1 TOP
AC power throughput	Neutrik PowerCON TRUE1 TOP
DMX data in/out	Neutrik 5-pin locking XLR

ELP PAR

STATIC RGBW LED PAR FIXTURE WITH ZOOM

SPEC SHEET

TECHNICAL SPECIFICATIONS

ELECTRICAL

AC power 100-240 V nominal, 50/60 Hz
Typical power consumption 300 W
Typical half-cycle RMS
inrush current at 240 VAC 8.7 A
Power supply unit Auto-ranging electronic switch mode

MAXIMUM POWER AND CURRENT

100-120 V, 60 Hz 3.0 A, 320 W, Power factor 0.991
220-240 V, 50 Hz 1.7 A, 320 W, Power factor 0.941

**Measurements made at nominal voltage with all LEDs at full intensity.
Allow for a deviation of +/- 10%.*

THERMAL

Maximum surface temperature 65° C (149° F)
Cooling Forced air (temperature regulated,
low noise)
Maximum ambient
temperature (Ta max.) 40° C (104° F)
Minimum ambient
temperature (Ta min) -10° C (14° F)
Total heat dissipation* 1170 BTU/hr.

**Calculated, +/- 10%, at full intensity, full white*

APPROVALS

Global CB Certification/IECEE IEC 60598-2-17 (IEC 60598-1)
EU safety EN 60598-2-17 (EN 60598-1), EN 62471,
EN 62493
EU EMC EN 55015; EN 55032; EN 55035;
EN 61000-3-2, EN 61000-3-3, EN 61547
US safety UL 1573
US EMC FCC Part 15 Class B
Canadian safety CSA C22.2 No. 166
Canadian EMC ICES-003 Class B, ICES-005 Class B
Australia/NZ RCM
United Kingdom UKCA



HARMAN PROFESSIONAL INC. | 8500 BALBOA BOULEVARD | NORTHRIDGE | CA 91329 | USA | +1 818 893 8411

©2022 HARMAN Professional. All rights reserved. Martin® is a registered trademark of HARMAN Professional Inc. registered in the United States and/or other countries.
Features, specifications, and appearance are subject to change without notice. Rev. 03.28.2022

Martin[®]
by HARMAN

ELP PAR

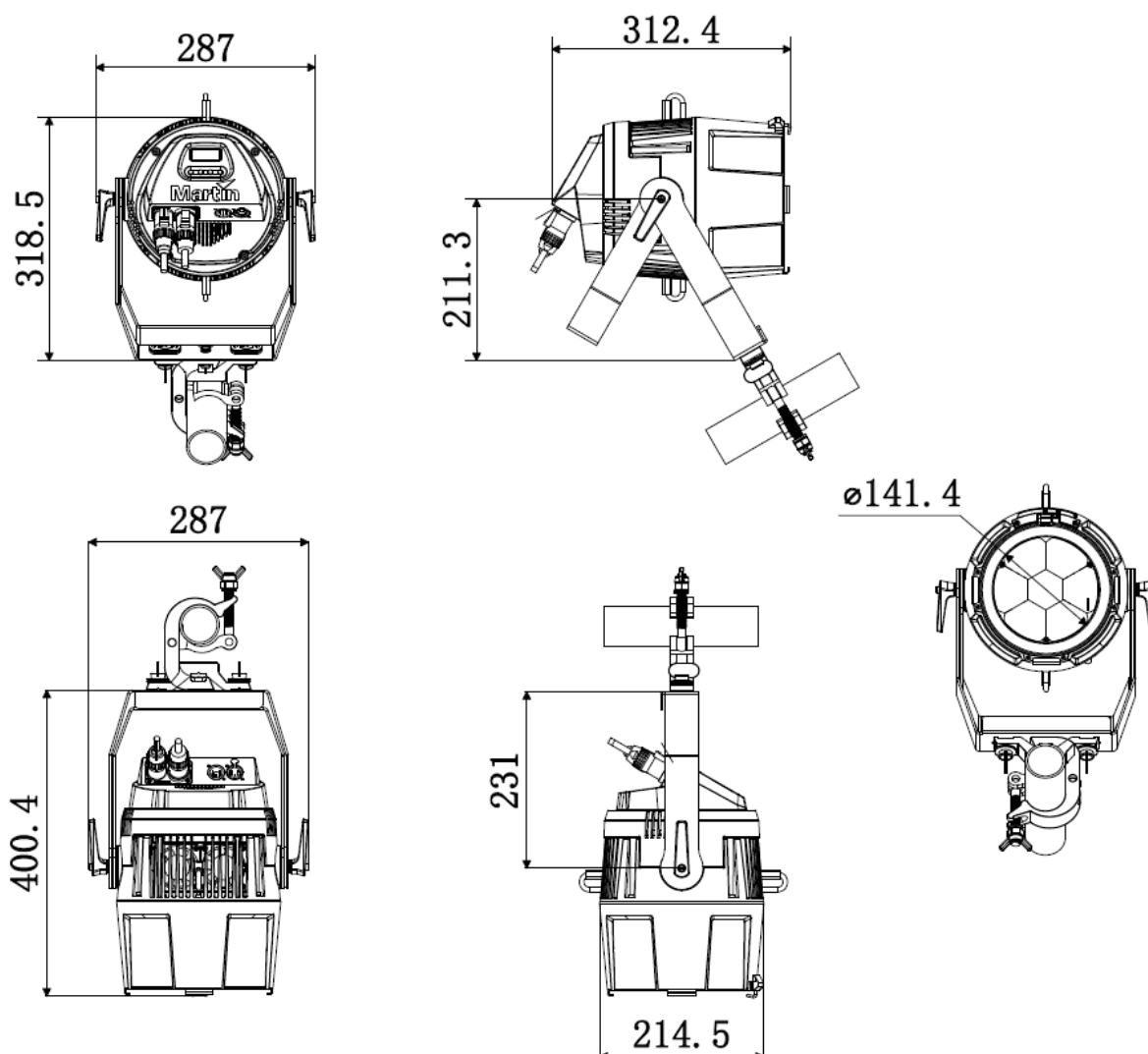
STATIC RGBW LED PAR FIXTURE WITH ZOOM

SPEC SHEET

DIMENSIONS

PHYSICAL

Dimensions
Including Bracket (L x W x H)..... 312x287x401 mm (12.3x11.3x15.8 In.)
Weight 7.8 Kg (17.2 Lbs.)



HARMAN PROFESSIONAL INC. | 8500 BALBOA BOULEVARD | NORTHRIDGE | CA 91329 | USA | +1 818 893 8411

©2022 HARMAN Professional. All rights reserved. Martin® is a registered trademark of HARMAN Professional Inc. registered in the United States and/or other countries. Features, specifications, and appearance are subject to change without notice. Rev. 03.28.2022

Martin[®]
by HARMAN