



Tension Pro Series – E type

Large Electric Tab-Tensioned Projector Screen
(For models above 200” and bigger)

User’s Guide

Important Safety & Warning Precautions

Make sure to read this user’s guide and follow the procedures below.

Caution: The screen’s Black Top Drop is already set to its maximum drop distance. **There is NO extra Black Top Drop in the roller.** Please be aware of this as it will void your warranty with Elite ProAV. Unapproved changes or modifications (except for cutting the power cord for hardwire installations) to this unit are prohibited and will void your warranty.

- Please retain this user’s guide for future reference.
- To avoid damaging the unit, do not use with any unauthorized accessories not recommended by the manufacturer.
- Handle the unit carefully during transportation to avoid any damages.
- To ensure safe and reliable operation, direct connection to a properly grounded power source is advised.
- The power outlet supplying power to the unit should be close to the unit and easily accessible.
- Do not install the unit on uneven or inclined surfaces.
- Do not put heavy objects on the power cord and position it properly to avoid creating a trip obstacle.
- Never overload the power cord to prevent an electric shock or fire due to a loose contact or a short circuit.
- There are not user serviceable parts in this unit. Do not attempt to disassemble this unit by yourself. No one except authorized technicians can open and make repairs to this unit.
- Make sure the power source of this unit is connected and has a continuous power flow.
- If there is need to use an extension cord, make sure the cord has an equal rating as the appliance to avoid overheating.
- Do not handle the power plug when your hands are wet, or your feet are in contact with water.

Do not use this unit under the following circumstances.

- Disconnect the power cord under the conditions of heavy rain, wind, thunder or lightning.
- Avoid direct Sunshine, rain shower and moisture.
- Keep away from fire sources and high temperature to prevent this device from overheating.
- Cut off the power supply first before transportation or maintenance.
- Fully disconnect from the power supply when the unit is not in use for a long period of time, as should be done with any other electric household appliance.
- To avoid possible injury and/or an electric shock, do not attempt to use the screen if there is obvious damage or if there are any evident broken parts.

WARNING

The Screen's **Top Black Drop** is already set to its maximum drop distance. There is **NO** extra top black drop in the roller. Please be aware of this as it will void the limitation of your warranty.

Individual modifications to this product are prohibited and will void the warranty with the manufacturer. Please contact Elite ProAV® Customer Service for any questions.

NOTE:

This equipment has been tested and found to comply with the limits for a Class B digital device, pursuant to Part 15 of the FCC Rules.

These limits are designed to provide reasonable protection against harmful interference in a residential installation. This equipment generates and can radiate radio frequency energy and, if not installed and used in accordance with the instructions, may cause harmful interference to radio communications.

However, there is no guarantee that the interference will not occur on a particular installation. If this equipment causes harmful interference to radio or television reception, which can be determined by turning the equipment off and on, the user is encouraged to try to correct the interference by one or more of the following measures.



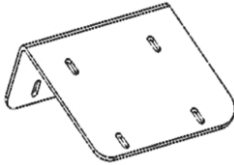
- ✓ **Reorient or relocate the receiving antenna of the device which may be causing the interference.**
- ✓ **Increase the separation between the screen and the device's receiver.**
- ✓ **Connect the equipment into a different power outlet other than the device.**

Pre-Installation

1. Carefully unpack the screen.
2. Always handle the screen in a leveled position on a clean surface.
3. To protect the screen from exposure to stains, keep the screen out of contact with foreign particles such as dust, sawdust, and/or liquids.

NOTE

Regardless of the mounting method, the screen should be securely supported so that the vibration or pulling on the viewing surface will not cause the casing to become loose or fall.

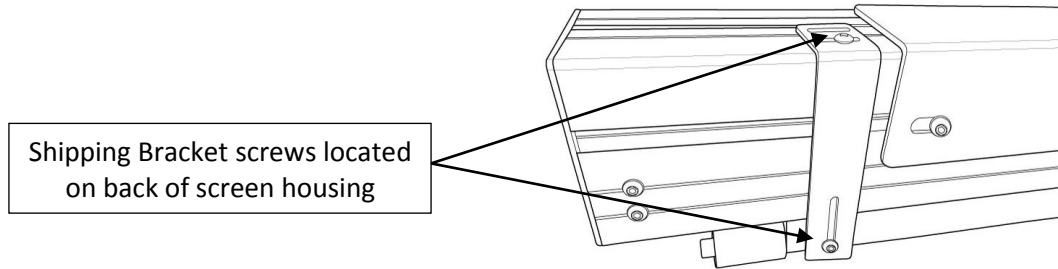
Hardware Parts List		
Please make sure all parts listed below are included before proceeding with the installation.		
A. M10 Suspended Turnbuckle Hook x 4 pcs	B. M10 eyebolt x 4 pcs (attached to bracket)	C. Bracket x 2 pcs (Installed on each side of the screen)
		

Installation Instructions

For installation assistance, please consult a professional Installer. Elite ProAV is not liable for faulty installations.

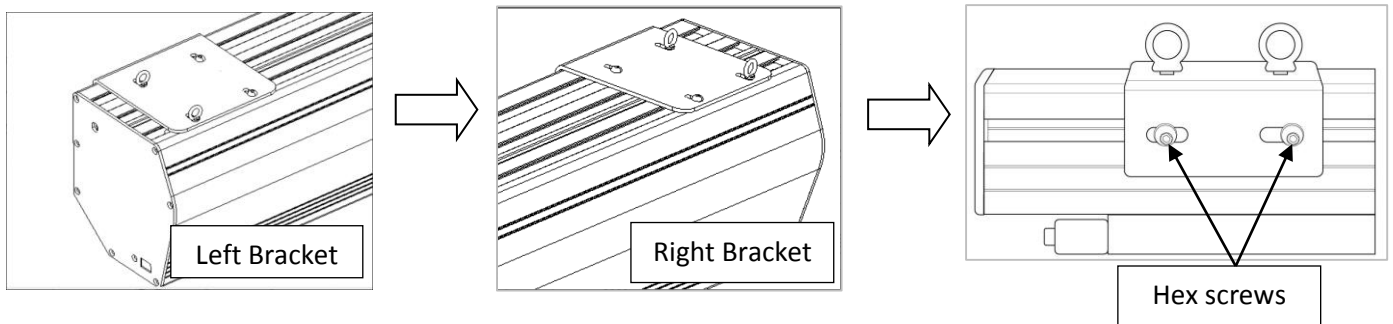
CAUTION: Product is very heavy. Installer must ensure that structure is of adequate strength to properly and safely sustain the screen.

Please note: Before fully operating the screen. Remove the four shipping brackets from the weight bar by loosening the screws.



Bracket Position

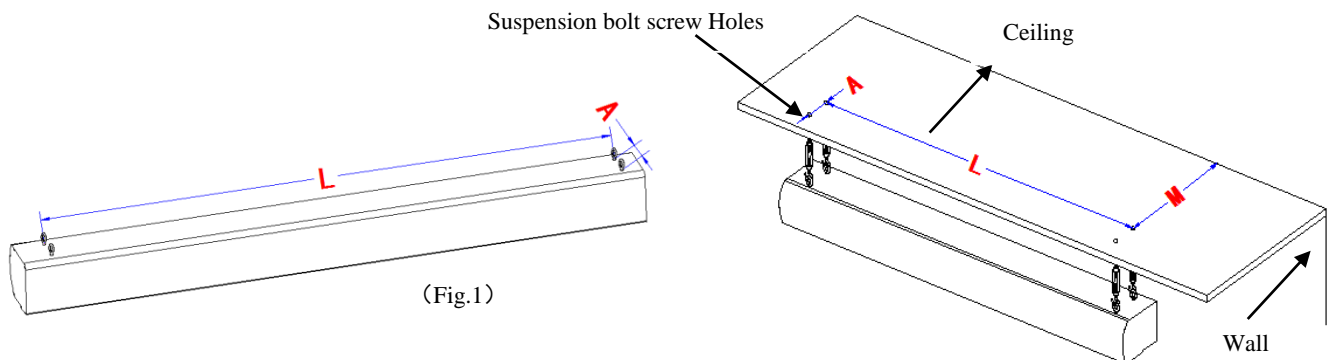
Loosen the **M10 eyebolt (A)** by turning counterclockwise. Then loosen the hex screws on the back of the brackets using a 7/32 hex key to allow the bracket to slide into position as required for installation.



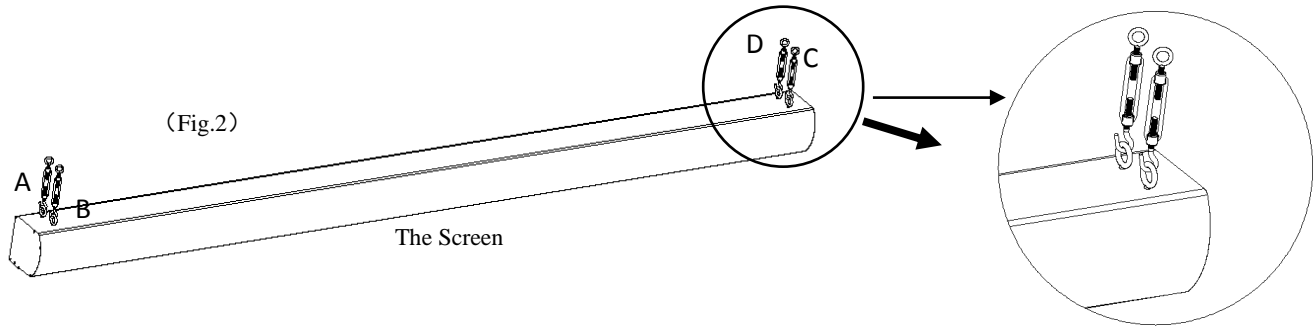
Recessed Installation

1. Select the installation location for your screen. Measure the distances between each eye bolt (Shown as measurements **L** and **A** in Fig.1). Mark the installation area on the ceiling based on the measurements taken. Using the marks as a guideline, drill a hole in the ceiling for each **suspension bolt hook** (not included).

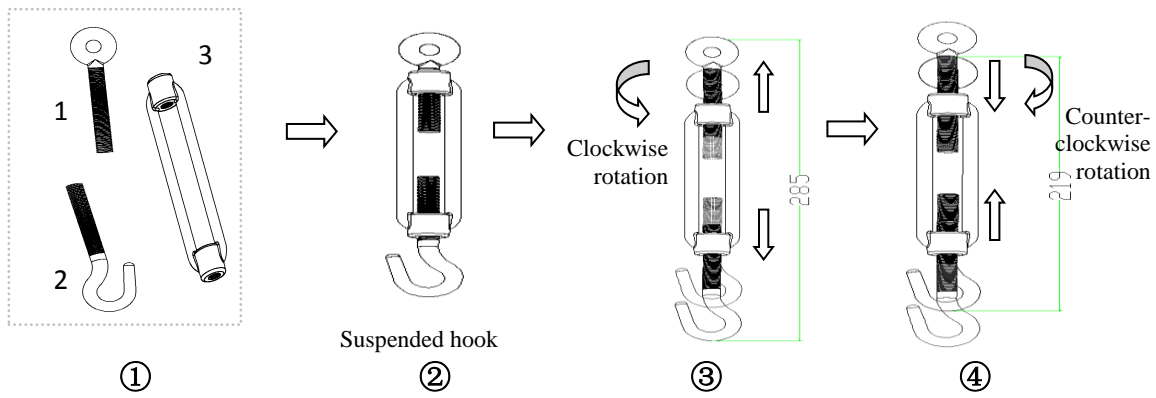
Note: The distance between the installation hole (**M**) and the wall should not be longer than measurement **A**.



2. Next, attach the **M10 Suspended turnbuckle hooks (A)** to all four **M10 eyebolts (B)** installed on the brackets (A/B/C/D). Then hang the screen to the **suspension bolt hooks** installed on your ceiling.



After the installation is complete, if the screen is not leveled, you can adjust the height of the suspended hooks to level the screen. Below are the adjustment methods for the suspended hooks. The maximum and minimum adjustable lengths are shown in Fig 3, illustration 3 and 4.



(Fig.3)

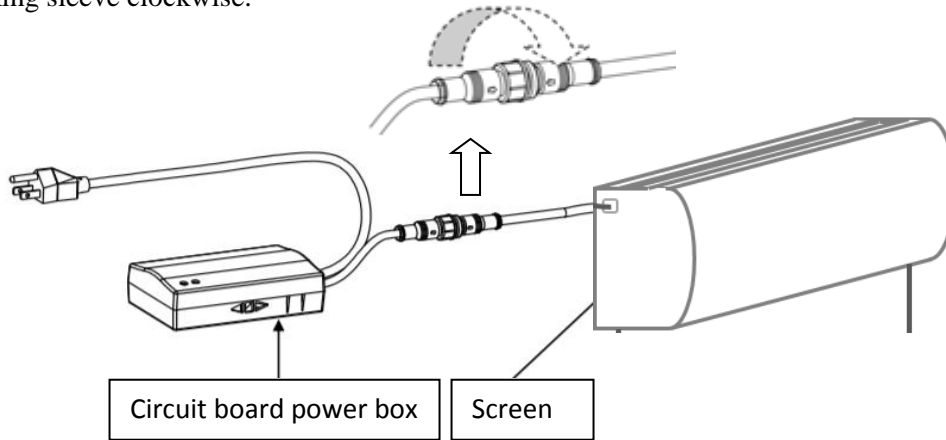
Tension Pro Series Controls and Accessories							
A. Infrared (IR) Remote	B. Radio Frequency (RF) Remote	C. Wall switch control box	D. 5-12 volt trigger cable	E. IR extended "eye" receiver	F. Wireless 5-12v trigger cable	G. Circuit board power box	H. AAA batteries

Screen operation

Electric Current: Depending upon region, your Elite ProAV Screen will operate on 110v, or 220v voltage.

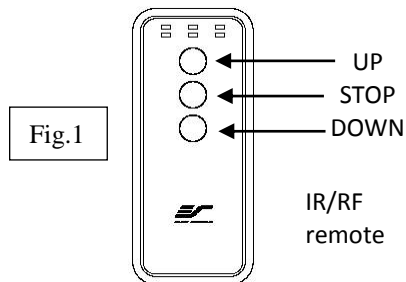
1. After ensuring the power outlet & screen are compatible (voltage), plug the power cord into the power outlet.
2. Once the screen's has power, you'll be able to control it using any of the 6 methods described below.

Power attachment to screen: Connect the circuit board power box cable to the screen's cable end and secure it by turning the locking sleeve clockwise.

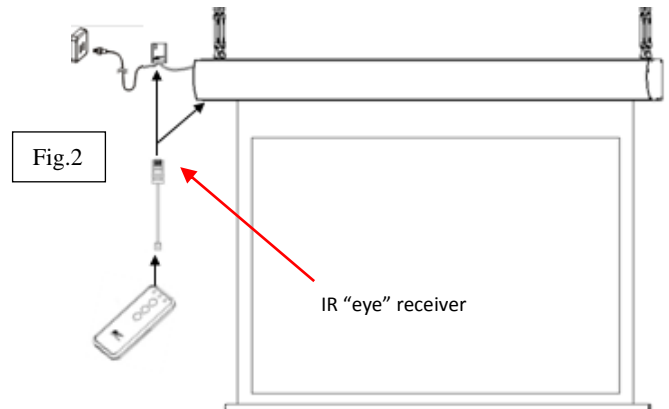


6 ways to control your Tension Pro Screen

1. IR remote control (Item A, Fig 1): The Infrared functions by direct line of sight contact using a beam range of 30 feet. Aim the IR remote at the circular window located on the left side of the screen.

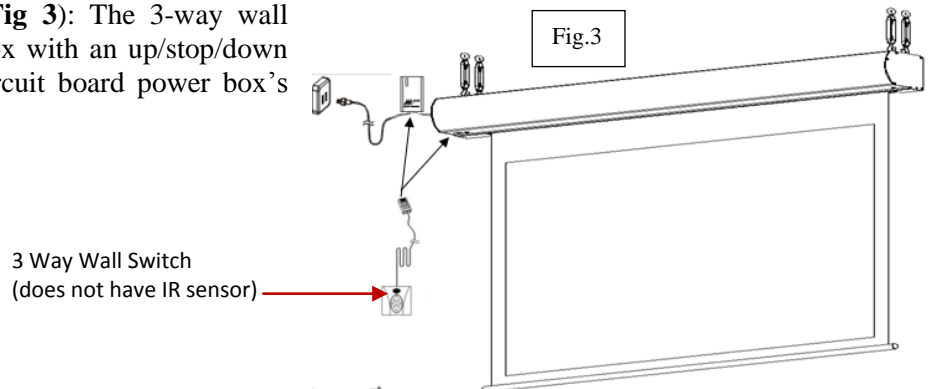


2. IR "Eye" Receiver (Item E, Fig 2): The IR "Eye" Receiver plugs directly into the circuit board power box's RJ45 input.



3. RF Remote Control (Item B): The radio waves eliminate the need for a direct line of sight and has a range of 100 feet.

4. 3-Way Wall Switch (Item C, Fig 3): The 3-way wall switch is a wall mounted control box with an up/stop/down button. It plugs directly into the circuit board power box's RJ45 input.



5. 5-12 volt trigger (Item D, Fig 4): The built-in 5-12V trigger input allows your screen to synchronize its drop & rise with the projector's power cycle. The screen deploys when the projector powers up and will retract when the projector powers down. The 5-12 volt RJ45 cable connects to your projector's trigger output via a separate cable that may or may not be provided by the manufacturer of the projector. The trigger feature will not work without an output cable from the projector, but it can be tested by connecting the Red (+) and Green (-) cable to a 9-volt battery.

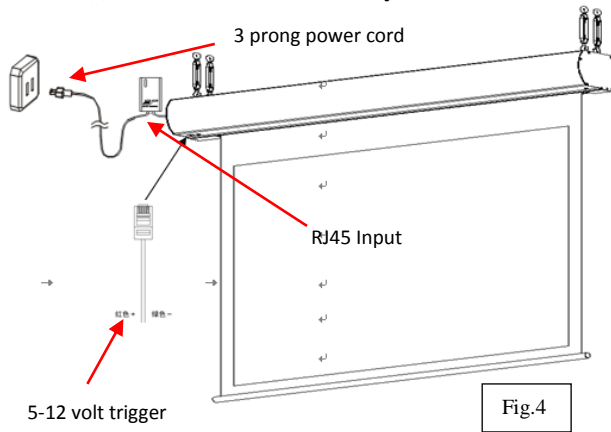


Fig.4

6. Wireless 5-12 volt trigger (Item F, Fig 5): The RF remote control serves as a dual purpose, independently as a handheld remote control, or as a Wireless 5-12 volt trigger using the trigger cable. The radio frequency technology can be programmed to send a wireless signal that synchronizes screen drop & rise with the projector's power cycle.

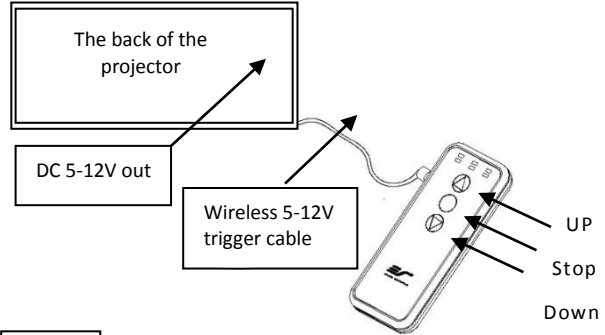


Fig 5

Here's how to set up your Wireless 5-12 volt trigger | Synchronization Instructions

- Step 1:** Connect one end of the 3.5 mm wireless 5-12 volt trigger cable to the RF remote.
 - Step 2:** Connect the other 3.5 mm end of the wireless 5-12 volt trigger cable to your projector
 - Step 3:** Make sure to unplug your screen from the power outlet
 - Step 4:** Hold the UP button on your RF remote
 - Step 5:** While holding the UP button, plug the screen back to the power outlet
 - Step 6:** Wait 5 seconds and then release the UP button
 - Step 7:** Your 5-12V wireless trigger should now be activated with your screen and ready to be used and able to control your screen with your projector's power cycle
- Repeat the steps again if not successful.

(Please be aware, the projector on/off cycle may take longer to fully activate. It usually takes around 20- 30seconds for full off and on cycle each time)

For more information, technical support or your local Elite ProAV® contact, please visit www.eliteproav.com