

# CVX-OPTW Quick Start Guide

Complete documentation PDFs at [CypressIntegration.com](http://CypressIntegration.com)



## Product overview:

The CVX-OPTW is designed to provide isolation between different Wiegand sources. The input side (J1) and output side (J2) are electrically isolated, using optical-couplers to transmit the Wiegand signal from the input side to the output side of the CVX-OPTW.

## What is included:

- CVX-OPTW
- Warranty
- Quick Start Guide

## Product applications:

The CVX-OPTW is used primarily in the following applications:

- 1) Connecting two Wiegand readers to one access controller Wiegand port;
- 2) Connecting one Wiegand reader to two different access controllers;
- 3) Connecting Wiegand devices that operate the Wiegand lines at different voltage levels.

The CVX-OPTW is necessary when the Wiegand devices in these applications operate the Wiegand data lines at different voltages. The CVX-OPTW may also be used in applications where Wiegand devices are not able to be electrically connected, such as issues with power supplies or pullup resistors.

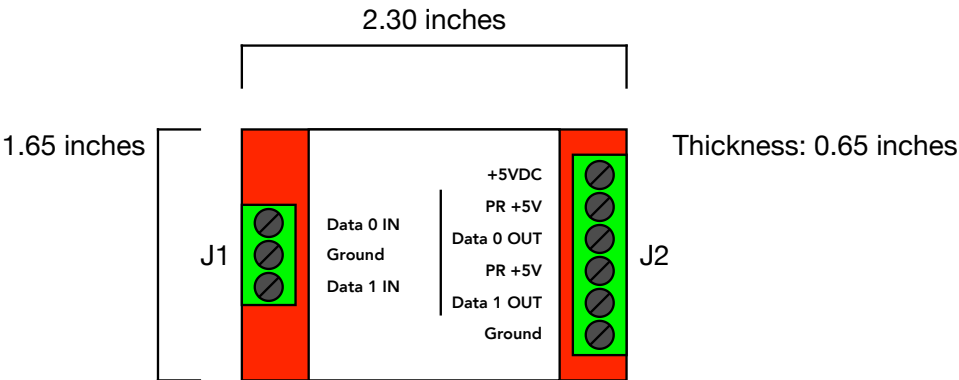
## Bench testing:

### With existing access control equipment:

Since bench testing is not practical in these applications, follow the appropriate Quick Start Guide wiring diagram, install the CVX-OPTW with the existing equipment, and test the system thoroughly.

### With new access control equipment:

Bench testing is recommended. Refer to the appropriate Quick Start Guide wiring diagram and set up a bench test accordingly before installing equipment in the field.



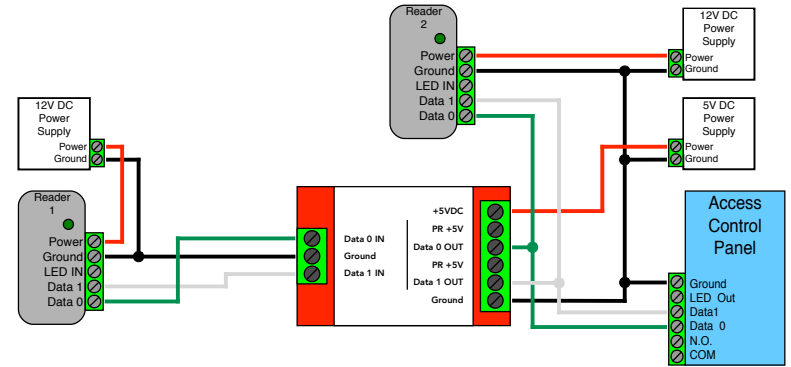
### J1 Header:

- Data 1 IN** - Wiegand Data Input 5-24 VDC
- Ground** - Input Ground
- Data 0 IN** - Wiegand Data Input 5-24 VDC

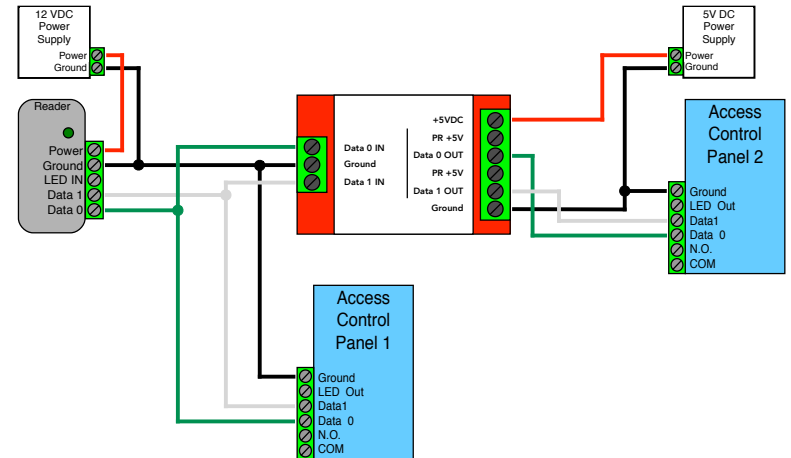
### J2 Header:

- +5VDC** - Input, regulated 5VDC @ 30mA
- PR +5V** - Connection to pullup resistor, 1K @ 5VDC
- Data 0 OUT** - Wiegand Data Output 5-24 VDC
- PR +5V** - Connection to pullup resistor, 1K @ 5VDC
- Data 1 OUT** - Wiegand Data Output 5-24 VDC
- Ground** - Output Ground

Wiring Diagram - Two Readers to One Access Controller



Wiring Diagram - One Reader to Two Access Controllers



Wiring Diagram - One Reader to One Access Controller

