

GV-PA903BT Gigabit BT PoE++ Adapter



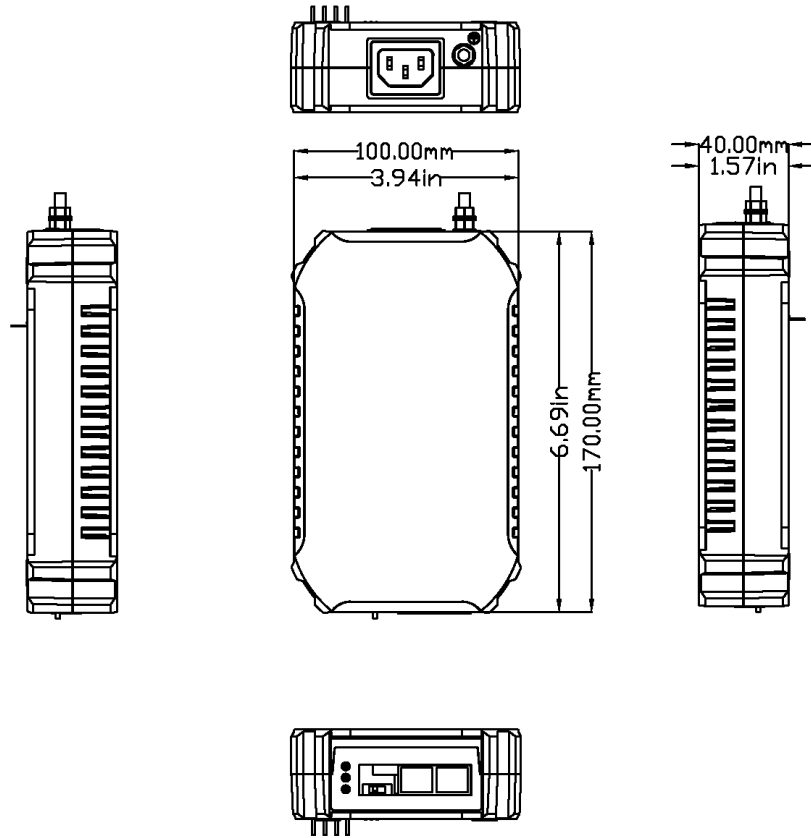
Introduction

GV-PA903BT is a Gigabit PoE (Power over Ethernet) adapter. The adapter supports the IEEE802.3af/at/bt Power over Ethernet standard, with a maximum power output of 95 W over a single Ethernet cable. You can mount an IP camera anywhere in a building where power outlets are scarce by using the PoE adapter.

Specifications

	GV-PA903BT	GV-PA903BT HW V2.0
Port	Data in port: 1 x 10/100/1000 Mbps RJ-45 port PoE out port: 1 x 10/100/1000 Mbps RJ-45 port	
Power Source	High Power Over Ethernet (Max. 95 W)	
PoE Power Output	DC 54V (Max. 95 W)	
Ethernet Cable Length	Max 100 m (328 ft) from GV-PA903BT to IP device, CAT5e, 6	
Power Input	AC 100V ~ 240V, 50/60 Hz	
Operating Temperature	Operating Temperature: 0°C ~ 40 °C (32 °F ~104°F) Storage Temperature: -40 °C ~ 70 °C (-40 °F ~158°F)	
Humidity	Operating Humidity: 10% ~ 90% non-condensing Storage Humidity: 5% ~ 90% non-condensing	
Surge Protection	±4 kV	
Dimensions (L x W x H)	170 x 100 x 40 mm (6.69" x 3.94" x 1.57")	
Weight	0.76 kg (1.68 lb)	
Standard	IEEE802.3af/at/bt	
Compatible GV-IP Device	<ul style="list-style-type: none"> • GV-LPR2800-DL • GV-PPTZ7300 / 14021 / 14031 • GV-SD2301 V2 / 2411 V2 / 2723-IR / 2733-IR • GV-SV48000 	<ul style="list-style-type: none"> • GV-QSD5731-IR only

Dimensions



Packing List

1. GV-PA903BT x 1
2. Power Cord x 1
3. Rubber Feet x 4