



Atlas Racks Solutions



MADE IN THE USA

Equipment Racks & Accessories

Thermal Regulation



Integrated Monitors



Storage



Power Management



1601 Jack McKay Blvd., Ennis, TX 75119 U.S.A. 800.876.3333



ISO9001
-CERTIFIED-

ATLASSOUND.COM





FMA Series racks were developed to offer all of the features that could be required in an installation. Heavy-duty construction, added width, include rear door and several available accessories allow the FMA Series to meet the demands of any job today and into the future. The FMA Series offers both stand alone and gangable models.

19" Wide Opening Stand-Alone/Gangable Deep Floor Cabinet with Adjustable Rails, Swing Out Side Panels UL Listed

Applications

The Atlas FMA Series cabinets, designed for a high strength-to-weight ratio solution, are ideal for single and multi-bay applications with increased width for wire management. These cabinets are commonly used to house Data Center Equipment, Communications equipment, Audio Video equipment, Computer equipment, Broadcast equipment, Security systems, CCTV equipment, IT equipment, Industrial systems and Building Management Systems. These cabinets are built to Standard #EIA-310-C that meets most OEM, Commercial and Military application requirements.

Features

- UL Listed 1678
- Two Model Heights with Increased Width for Wire Management
- Rear Door Offers Right- or Left-Hand Hinging Capability
- Up to (12RU to 18RU) Panel Opening in Top Offers Wiring Convenience or Fan Panel Cooling with Optional EFT/EFP Series Fan Kits and TPP/TPS Top Panels
- Two Pairs of 12-gauge CRS Adjustable Mounting Rails, Plated, Drilled and Tapped 10-32 with Hash Marks to Indicate Rack Unit Increments
- Hat Rack Rail Supports Include Rail Slot and Retainer Hole to Secure Rails from Sliding While Moving, Slots for Cable Pass Through and 19" Spacing for Mounting Standard Panels for Accessory Mounting
- Increased Opening Base Facilitates Wiring to Conduit or to Access Below Floor Raceways
- 3RU Galvanized Filler Panel (5/4") Provided
- Manufactured to E.I.A. Standards
- Includes Perforated Front, Rear and Side Vents for Heat Dissipation
- Knockouts on Removable Standard 2RU Panels (Rear of Cabinet Top & Bottom) Panel Includes 3/8" KOs for BNC Connectors as Well as Conduit Array of Knockouts. Leg Levelers Included
- Threaded Hinge Inserts are Pre-Drilled on Both the Left and Right Sides of the Rack Allowing for Easy Installation with No Extra Drilling Required
- 14-gauge Tops/Bottoms/Frames
- 16-gauge Side Panels and Side Frames
- 2RU Panel On Bottom for Cable Pass-Through Between Cabinets
- Optional Lift-Off, Locking Side Panels--"Swing-Out" Design Facilitates Easy Service Access (G Series Only)
- Gangable Cabinet with Pre-Installed 1/4-20 Thread Inserts to Gang Cabinets (G Series Only)



FMA44-25SA

Shown with Optional Front Door, SFD44



Precision Automated Laser Cutting Machine Ensures Consistent Part Reproduction



General Description

The Atlas Sound FMA (Folded Metal Assembly) cabinet incorporates an innovative "Radius" look characterized by sleek corners and joints. The cabinets are 25½" deep or 36" deep, 24⅞" wide and available in two different RU heights. All cabinets feature both 14/16-gauge steel tops/bottoms and frames. A flush mount 16-gauge steel rear door with integral "stop" to prevent over-travel is included as standard. Rear door includes flush door pull and cylinder lock.

The FMA Series cabinet line includes an opening in the cabinet top which can left open for free wire access/ventilation, partially covered with the ISOPANEL™ for non-conductive cable access or closed using standard panels 12RU (for 25½" deep models) or 18RU (for 36" deep models). Top opening is also perfect for installing EFP Series fan or TPP/TPS Top panel assembly. Cabinets include two pairs of front-to-rear adjustable mounting rails tapped 10-32. Rails are standard E.I.A. 5/8"-5/8"-1/2" spacing.

The Atlas Sound FMA G Series features 14-gauge "hat" rack rail support sections for added strength & greater versatility in rack rail positioning. The hat sections include a rack rail slot along with holes spaced the entire length of the hat section to allow for easy, secure positioning of the rack rails. This hat section is also spaced in the cabinet to allow the

installation of standard 19" blank panels vertically inside the cabinet. This is perfect for Time Saving Devices (TSD) or other accessories like Atlas Sound DC power supplies & relays. Hat sections feature tie down holes for clean, organized wire management.

For optimum wire management, unique, removable 2RU high panels are positioned behind cutouts at the top & bottom on the rear of the cabinet. These panels include conduit array knockouts with four ½" to ¾" concentric, three 1" to 1¼" concentric and two ⅜" knockouts to allow installation of BNC connectors used for diversity wireless microphone systems. Leg levelers are included with the FMA to provide alignment regardless of floor evenness. An optional caster kit allows easy positioning without significantly increasing the cabinet's overall height. Threaded inserts are pre-installed on the front of the cabinet when a front door is required. Threaded inserts are also supplied to gang cabinets together.

Optional FMA G Series side panels "swing-out" for easy serviceability of equipment housed in the cabinet while maintaining security. These heavily reinforced side panels install easily on unique "lift-off" hinge assemblies. All mounting holes and cabinet hardware is provided to join multiple FMA G Series cabinets.

FMA35-25SA



Specifications

Width (Outside)	24.12" (612.65mm)
Height (Outside)	69.31" (1760.54mm)
Depth (Outside)	25.5" (648mm)
Panel Space	35RU, 61.31" (1557.34mm)
Usable Depth	24.125" (612.775mm)
Top Panel Opening	12RU, 21.06" (535mm)
Floor Mounting Hole Location	23.28" (591.55mm)
UL Listed	1678

Optional Accessories

1" Deep Plexiglass Front Door	PFD35
1" Deep Solid Front Door	MPFD35
1" Deep Perforated Front Door	SFD35
3" Deep Perforated Front Door	MPFD35-3
Solid Top Panel	TPS-25
Perforated Top Panel	TPP-25
Fan Panel Top	EFT-25
Vented Side Panel	FMA35-25LRPV
Roller Cart / Caster Kit	FMARTK25
Additional Rack Rails	FMA-RRK35

FMA44-25SA



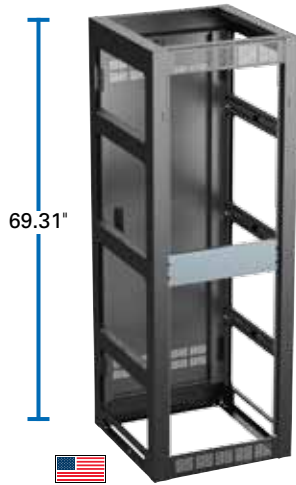
Specifications

Width (Outside)	24.12" (612.65mm)
Height (Outside)	85.06" (2160.59mm)
Depth (Outside)	25.5" (648mm)
Panel Space	44RU, 77.06" (1957.39mm)
Usable Depth	24.25" (615.95mm)
Top Panel Opening	12RU, 21.06" (535mm)
Floor Mounting Hole Location	23.28" (591.55mm)
UL Listed	1678

Optional Accessories

1" Deep Plexiglass Front Door	PFD44
1" Deep Solid Front Door	MPFD44
1" Deep Perforated Front Door	SFD44
3" Deep Perforated Front Door	N/A
Solid Top Panel	TPS-25
Perforated Top Panel	TPP-25
Fan Panel Top	EFT-25
Vented Side Panel	FMA44-25LRPV
Roller Cart / Caster Kit	FMARTK25
Additional Rack Rails	FMA-RRK44

FMA35-25G



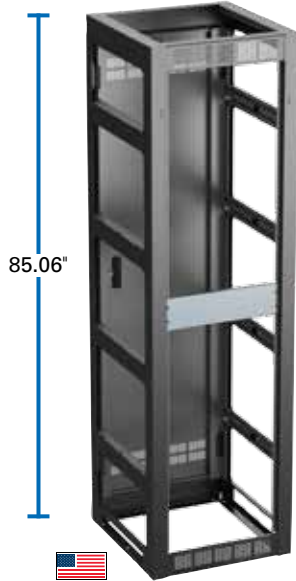
Specifications

Width (Outside)	24.12" (612.65mm)
Height (Outside)	69.31" (1760.54mm)
Depth (Outside)	25.5" (648mm)
Panel Space	35RU, 61.31" (1557.34mm)
Usable Depth	23.53" (598mm)
Top Panel Opening	12RU, 21.06" (535mm)
Floor Mounting Hole Location	23.28" (591.55mm)
UL Listed	1678

Optional Accessories

1" Deep Plexiglass Front Door	PFD35
1" Deep Solid Front Door	MPFD35
1" Deep Perforated Front Door	SFD35
3" Deep Perforated Front Door	MPFD35-3
Solid Top Panel	TPS-25
Perforated Top Panel	TPP-25
Fan Panel Top	EFT-25
Vented Side Panel	FMA35-25LRPV
Roller Cart / Caster Kit	FMARTK25
Additional Rack Rails	FMA-RRK35

FMA44-25G



Specifications

Width (Outside)	24.12" (612.65mm)
Height (Outside)	85.06" (2160.59mm)
Depth (Outside)	25.5" (648mm)
Panel Space	44RU, 77.06" (1957.39mm)
Usable Depth	23.53" (598mm)
Top Panel Opening	12RU, 21.06" (535mm)
Floor Mounting Hole Location	23.28" (591.55mm)
UL Listed	1678

Optional Accessories

1" Deep Plexiglass Front Door	PFD44
1" Deep Solid Front Door	MPFD44
1" Deep Perforated Front Door	SFD44
3" Deep Perforated Front Door	N/A
Solid Top Panel	TPS-25
Perforated Top Panel	TPP-25
Fan Panel Top	EFT-25
Vented Side Panel	FMA44-25LRPV
Roller Cart / Caster Kit	FMARTK25
Additional Rack Rails	FMA-RRK44

FMA44-36G



Specifications

Width (Outside)	24.12" (612.65mm)
Height (Outside)	85.06" (2160.59mm)
Depth (Outside)	30" (762mm)
Panel Space	44RU, 77.06" (1957.39mm)
Usable Depth	34" (863.6mm)
Top Panel Opening	18RU, 31.62" (803.285mm)
Floor Mounting Hole Location	33.78" (858.25mm)
UL Listed	1678

Optional Accessories

1" Deep Plexiglass Front Door	PFD44
1" Deep Solid Front Door	MPFD44
1" Deep Perforated Front Door	SFD44
3" Deep Perforated Front Door	N/A
Solid Top Panel	TPS-36
Perforated Top Panel	TPP-36
Fan Panel Top	EFT-36
Vented Side Panel	FMA44-36LRPV
Roller Cart / Caster Kit	FMARTK36
Additional Rack Rails	FMA-RRK44



700 Series racks were developed with a focus on premium construction and installer friendly features that allow for installation of heavy components with extended depths. Additionally the 700 Series can be fitted with a seismic bracing kit that meets GR-63-CORE standards where required.



744-25

19" Wide Opening Stand-Alone/Gangable Deep Floor Cabinet with Adjustable Rails, UL Listed

Applications

The Atlas 700 Series cabinets, designed for a high strength-to-weight ratio solution, are ideal for single and multi-bay applications where easy accessibility to wiring in and between racks is desirable. These cabinets are commonly used to house Data Center Equipment, Communications equipment, Audio Video equipment, Computer equipment, Broadcast equipment, Security systems, CCTV equipment, IT equipment, Industrial systems and Building Management Systems. These cabinets are built to Standard #EIA-310-C that meets most OEM, Commercial and Military application requirements.

Features

- UL 1678 Listed
- Optional Seismic Bracing Kit (Atlas Part Number SBK-700)
- Three Model Heights
- Optional Rear Door Offers Right- or Left-Hand Hinging Capability
- Threaded Hinge Inserts are Pre-Drilled on Both the Left and Right Sides of the Rack Allowing for Easy Installation with No Extra Drilling Required
- Up to 12RU (or Combinations to 12RU) (for 25½" Deep Models) Panel Opening in Top Offers Wiring Convenience or for Fan Panel Cooling with Optional EFP Series Fan Kits
- For 30" Deep Models: Up to 14RU (or Combinations to 14RU): Panel Opening in Top Offers Wiring Convenience or Fan Panel Cooling with Optional EFP Series Fan Kits
- Up to 18RU (or Combinations to 18RU) (for 36" Deep Models) Panel Opening in Top Offers Wiring Convenience or for Fan Panel Cooling with Optional EFT/EFP Series Fan Kits
- Increased Opening Base Facilitates Wiring Conduit or to Access Below Floor Raceways
- 3RU Galvanized Filler Panel (5¼") Provided
- Manufactured to E.I.A. Standards
- Pre-drilled to Accept M-1A Cabinet Mount IR Repeater
- Gangable Cabinet with Pre-Installed ¼-20 Thread Inserts to Gang Cabinets

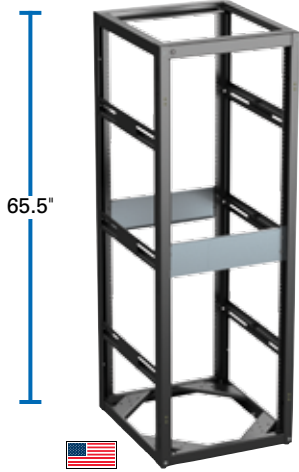
General Description

These general purpose cabinets are 25½", 30", & 36" deep, 22⅝" wide, and available in three different RU heights. The 700 Series racks are completely welded 14-gauge CRS and assembled for immediate use. Optional rear doors can be hung with pre-installed quick-release spring hinges which allow them to be rotated 180° for right- or left-hand opening. See chart on back for appropriate front door, rear door, & side panel model numbers (ordered separately). Front doors are keyed differently than the rear door for security.

The 700 Series cabinet line includes an opening in the cabinet top which can left open for free wire access/ventilation, partially covered with the ISOPANEL™ for non-conductive cable access or closed using standard panels 12RU (for 25½" deep models), 14RU (for 30" deep models), or 18RU (for 36" deep models). Top opening is also perfect for installing EFP Series fan. Cabinets include two pairs of front-to-rear adjustable mounting rails tapped 10-32. Rails are standard E.I.A. ⅝"-⅝"-½" spacing. Cabinet surface is phosphate pre-treated for proper paint adhesion. Standard finish is textured black epoxy #962.



735-25



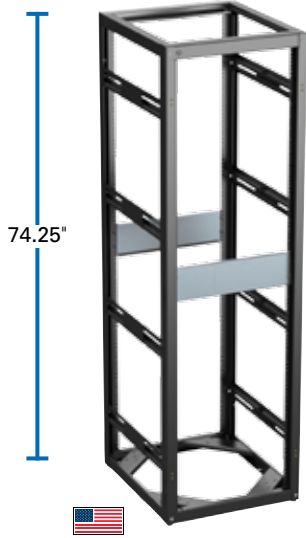
Specifications

Width (Outside)	22.3125" (567mm)
Height (Outside)	65.5" (1664mm)
Depth (Outside)	25.5" (648mm)
Panel Space	35RU, 61.25" (1556mm)
Usable Depth	23.53" (597mm)
Top Panel Opening	14RU, 24.5" (622mm)
UL Listed	1678

Optional Accessories

Flush Rear Door	FRD35
1" Deep Plexiglass Front Door	PFD35
1" Deep Solid Front Door	SFD35
1" Deep Perforated Front Door	MPFD35
3" Deep Perforated Front Door	MPFD35-3
Solid Top Panel	TPS-25
Perforated Top Panel	TPP-25
Fan Panel Top	EFT-25
Vented Side Panel	SPS35-25
Roller Cart / Caster Kit	RCK-700
Additional Rack Rails	RR35

740-25



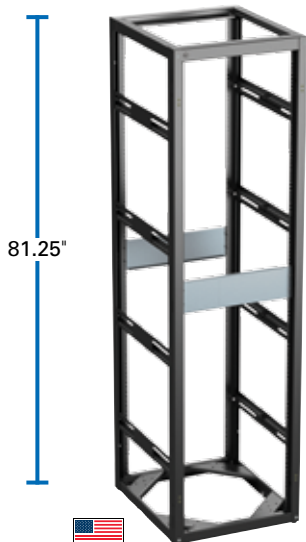
Specifications

Width (Outside)	22.3125" (567mm)
Height (Outside)	74.25" (1886mm)
Depth (Outside)	25.5" (648mm)
Panel Space	40RU, 70.125" (1778mm)
Usable Depth	23.53" (597mm)
Top Panel Opening	12RU, 21.06" (535mm)
UL Listed	1678

Optional Accessories

Flush Rear Door	FRD40
1" Deep Plexiglass Front Door	PFD40
1" Deep Solid Front Door	SFD40
1" Deep Perforated Front Door	MPFD40
3" Deep Perforated Front Door	N/A
Solid Top Panel	TPS-25
Perforated Top Panel	TPP-25
Fan Panel Top	EFT-25
Vented Side Panel	SPS40-25
Roller Cart / Caster Kit	RCK-700
Additional Rack Rails	RR40

744-25



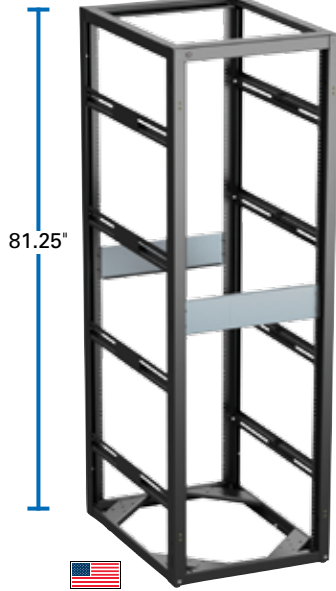
Specifications

Width (Outside)	22.3125" (567mm)
Height (Outside)	81.25" (2024mm)
Depth (Outside)	25.5" (648mm)
Panel Space	44RU, 77.125" (1956mm)
Usable Depth	23.53" (597mm)
Top Panel Opening	12RU, 21.06" (535mm)
UL Listed	1678

Optional Accessories

Flush Rear Door	FRD44
1" Deep Plexiglass Front Door	PFD44
1" Deep Solid Front Door	SFD44
1" Deep Perforated Front Door	MPFD44
3" Deep Perforated Front Door	N/A
Solid Top Panel	TPS-25
Perforated Top Panel	TPP-25
Fan Panel Top	EFT-25
Vented Side Panel	SPS44-25
Roller Cart / Caster Kit	RCK-700
Additional Rack Rails	RR44

744-30



Specifications

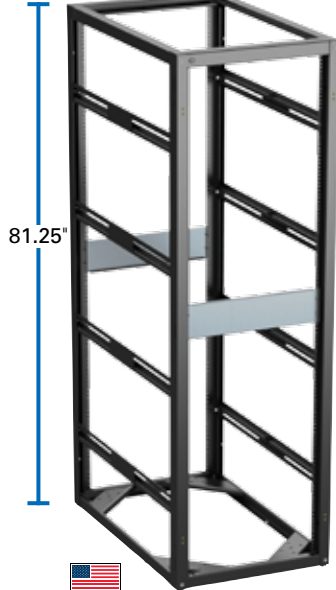
Width (Outside)	22.3125" (567mm)
Height (Outside)	81.25" (2024mm)
Depth (Outside)	30" (762mm)
Panel Space	44RU, 77.125" (1956mm)
Usable Depth	28.0625" (713mm)
Top Panel Opening	14RU, 24.5" (622mm)
UL Listed	1678

Optional Accessories

Flush Rear Door	FRD44
1" Deep Plexiglass Front Door	PFD44
1" Deep Solid Front Door	SFD44
1" Deep Perforated Front Door	MPFD44
3" Deep Perforated Front Door	N/A
Solid Top Panel	TPS-30
Perforated Top Panel	TPP-30
Fan Panel Top	EFT-30
Vented Side Panel	SPS44-30
Roller Cart / Caster Kit	RCK-700
Additional Rack Rails	RR44*

*Model ships with two pairs of factory installed rails.

744-36



Specifications

Width (Outside)	22.3125" (567mm)
Height (Outside)	81.25" (2024mm)
Depth (Outside)	36.02" (915mm)
Panel Space	44RU, 77.125" (1956mm)
Usable Depth	34.03" (864mm)
Top Panel Opening	18RU, 31.62" (803mm)
UL Listed	1678

Optional Accessories

Flush Rear Door	FRD44
1" Deep Plexiglass Front Door	PFD44
1" Deep Solid Front Door	SFD44
1" Deep Perforated Front Door	MPFD44
3" Deep Perforated Front Door	N/A
Solid Top Panel	TPS-36
Perforated Top Panel	TPP-36
Fan Panel Top	EFT-36
Vented Side Panel	SPS44-36
Roller Cart / Caster Kit	RCK-700
Additional Rack Rails	RR44*

*Model ships with two pairs of factory installed rails.

SBK-700



Optional Seismic Bracket for 700 Series Racks

With the addition of optional Seismic Bracket, SBK-700, 700 Series racks can be certified in accordance to the Telcordia NEBS (Network Equipment Building Systems) GR-63-CORE standard. When the SBK-7xx brackets are properly installed, the 700 Series successfully endured the rigorous real-world dynamic test - the racks are able to withstand up to a zone 4 earthquake which is comparable to Richter magnitude 8.0!

Certification Telcordia NEBS GR-63-CORE Standard





500 Series racks were developed to offer premium construction as well as installer friendly features that make installation easy. These features include an open design on all sides allowing access to the front and back of rack equipment and conduit arrays for wire management.

19" Wide Opening Stand-Alone/Gangable Floor Cabinet with Adjustable Rails, UL Listed

Applications

The Atlas 500 Series cabinets are ideal for single and multi-bay applications where easy accessibility to wiring in and between racks is desirable. These cabinets are commonly used to house Data Center Equipment, Communications equipment, Audio Video equipment, Computer equipment, Broadcast equipment, Security systems, CCTV equipment, IT equipment, Industrial systems and Building Management Systems.

Features

- UL 1678 Listed
- Three Model Heights
- Rear Door Offers Right or Left-Hand Hinging Capability
- Threaded Hinge Inserts are Pre-Drilled on Both the Left and Right Sides of the Rack Allowing for Easy Installation with No Extra Drilling Required
- Up to 6RU (or Combinations to 6RU) Panel Opening in Top Offers Wiring Convenience or Fan Panel Cooling with Optional EFT/EFP Series Fan Kits
- Slotted Mounting Rail Supports Vertical Wire Management and are E.I.A. -Spaced for Vertical Mounting of 19" Accessories
- Increased Opening Base Facilitates Wiring to Conduit or to Access Below Floor Raceways
- Functional 3RU Blank Panel (5¼") Provided
- Manufactured to E.I.A. Standards
- Includes Perforated Front, Rear and Side Vents for Heat Dissipation
- Pre-drilled to Accept M-1A Cabinet Mount IR Repeater

General Description

The 500 Series cabinets are welded frames in 25½" or 30" depths available in three different RU heights, 35RU, 40RU and 44RU. The 500 Series cabinets are welded 16-gauge CRS and assembled for immediate use. Rear doors are hung with quick-release spring hinges which allow them to be rotated 180° for right- or left-hand opening. If front door is ordered, it will be keyed differently than the rear door for security. Cabinet frame and rear door are vented to promote air circulation and heat dissipation.

The 500 Series line offers several installer-friendly advantages including a 6RU standard panel width opening in the cabinet top and conduit arrays. The top opening can be left open for free wire access/ventilation, partially covered with the ISOPANEL™ for non-conductive cable access or closed using 2 standard 5¼" (3RU) panels. Top opening is also perfect for installing EFP Series fan. Multiple conduit arrays provide maximum access, and are conveniently located on the top and bottom panel surface and across the top and bottom back flanges of the cabinet frame. Surface arrays are comprised of 4 knockouts: two 1" (25mm) standard knockouts and two ½" (13mm) / ¾" (19mm) concentric. Flange arrays consist of five knockouts: three 1" (25mm) standard and two ½" (13mm) / ¾" (19mm) concentric.

Includes one pair of 12-gauge CRS adjustable mounting rails tapped 10–32 (544-30 includes 2 pair 12-gauge mounting rails) Cabinets have welded top and bottom panels with panel-opening vent; removable rear door with quick-release spring hinges, flush pull and cylinder lock.

Cabinets feature front-to-rear mounting rail supports with slotted cutouts to easily adjust rail depth and to provide open raceways for vertical cable pathway. Cabinet surface is phosphate pre-treated for proper paint adhesion. Standard finish is textured black epoxy #962.



544-30



535-25



Specifications

Width (Outside)	22.3125" (567mm)
Height (Outside)	65.5" (1664mm)
Depth (Outside)	25.5" (648mm)
Panel Space	35RU, 61.25" (1556mm)
Usable Depth	23.81" (605mm)
Top Panel Opening	6RU, 10.5" (266.7mm)
UL Listed	1678

Optional Accessories

1" Deep Plexiglass Front Door	PFD35
1" Deep Solid Front Door	SFD35
1" Deep Perforated Front Door	MPFD35
3" Deep Perforated Front Door	MPFD35-3
Solid Top Panel	SPR6
Perforated Top Panel	PPR6
Fan Panel Top	EFT6-4
Vented Side Panel**	SPS35-25
Roller Cart / Caster Kit	RCK-25
Additional Rack Rails	RR35

**Optional side panel lock also available. Model SP-LOCK

540-25



Specifications

Width (Outside)	22.3125" (567mm)
Height (Outside)	74.25" (1886mm)
Depth (Outside)	25.5" (648mm)
Panel Space	40RU, 77.125" (1778mm)
Usable Depth	23.81" (605mm)
Top Panel Opening	6RU, 10.05" (266mm)
UL Listed	1678

Optional Accessories

1" Deep Plexiglass Front Door	PFD40
1" Deep Solid Front Door	SFD40
1" Deep Perforated Front Door	MPFD40
3" Deep Perforated Front Door	N/A
Solid Top Panel	SPR6
Perforated Top Panel	PPR6
Fan Panel Top	EFT6-4
Vented Side Panel**	SPS40-25
Roller Cart / Caster Kit	RCK-25
Additional Rack Rails	RR44

**Optional side panel lock also available. Model SP-LOCK

544-25



Specifications

Width (Outside)	22.3125" (567mm)
Height (Outside)	81.25" (2024mm)
Depth (Outside)	25.5" (648mm)
Panel Space	44RU, 71.125" (1956mm)
Usable Depth	23.81" (605mm)
Top Panel Opening	6RU, 10.5" (267mm)
UL Listed	1678

Optional Accessories

1" Deep Plexiglass Front Door	PFD44
1" Deep Solid Front Door	SFD44
1" Deep Perforated Front Door	MPFD44
3" Deep Perforated Front Door	N/A
Solid Top Panel	SPR6
Perforated Top Panel	PPR6
Fan Panel Top	EFT6-4
Vented Side Panel**	SPS44-25
Roller Cart / Caster Kit	RCK-25
Additional Rack Rails	RR44

**Optional side panel lock also available. Model SP-LOCK

544-30



Specifications

Width (Outside)	22.3125" (567mm)
Height (Outside)	81.25" (2024mm)
Depth (Outside)	30" (762mm)
Panel Space	44RU, 77.125" (1956mm)
Usable Depth	28" (711mm)
Top Panel Opening	6RU, 10.5" (267mm)
UL Listed	1678

Optional Accessories

1" Deep Plexiglass Front Door	PFD44
1" Deep Solid Front Door	SFD44
1" Deep Perforated Front Door	MPFD44
3" Deep Perforated Front Door	N/A
Solid Panel Top	SPR6
Perforated Top Panel	PPR6
Fan Panel Top	EFT6-4
Vented Side Panel**	SPS44-30
Roller Cart / Caster Kit	RCK-30
Additional Rack Rails	RR44*

*Ships with two pairs of factory installed rails.
**Optional side panel lock also available. Model SP-LOCK



200 Series racks were designed to offer both a great price but with the benefits and flexibility of a full featured rack. These economically priced units include the ability to add adjustable rails and horizontal hat sections to address the needs of any installation.



244-18

19" Wide Stand-Alone Floor Cabinet with Adjustable Rails, UL Listed

Applications

Atlas 200 Series floor cabinets are a flexible solution to house equipment for Government, Military, Commercial and Residential applications. These cabinets are commonly used to house Communications equipment, Audio Video equipment, Computer equipment, Broadcast equipment, Security systems, CCTV equipment, IT equipment, Industrial systems and Building Management Systems.

Features

- UL 1678 Listed
- Five Model Heights Available
- 18½", 25½" and 30" Depths Available
- Locking Rear Door Offers Right- or Left-Hand Hinging Capability
- Threaded Hinge Inserts are Pre-Drilled on Both the Left and Right Sides of the Rack Allowing for Easy Installation with No Extra Drilling Required
- Up to 6RU (or Combinations to 6RU) Panel Opening in Top Offers Wiring Convenience or Fan Panel Cooling with Optional EFP Series Fan Kits
- Open Base Facilitates Wiring to Conduit or Below Floor Raceways
- Functional 3RU Blank Panel (5¼") Provided on Models 35RU or Taller
- Manufactured to E.I.A. Standards
- Includes Perforated Front, Rear and Side Vents for Heat Dissipation
- Pre-drilled to Accept M-1A Cabinet Mount IR Repeater

General Description

The 200 Series cabinets are available in 18½", 25½", & 30" deep, 22⅝" wide, and available in five different RU heights, 21RU, 24RU, 35RU, 40RU and 44RU. (Refer to chart on back for exact dimensions and model numbers.) The 200 Series cabinets are welded 16-gauge CRS and assembled for immediate use.

Rear doors are hung with quick-release spring hinges which allow them to be rotated 180° for right- or left-hand opening. If front door is ordered, it will be keyed differently than the rear door for security.

The 200 Series cabinet line offers several installer-friendly advantages, including a 6RU standard panel width opening in the cabinet top and conduit arrays. The top opening can be left open for wire access and/or ventilation, partially covered with the ISOPANEL™ for non-conductive cable access or closed using 2 standard 5¼" (3RU) panels. Top opening is also perfect for installing EFP Series fan. Conduit arrays are located on the top and bottom surface panels, as well as the top and bottom back flanges. Flange arrays consist of five knockouts, three 1" (25mm) standard, and two, ½" (13mm) ¾" (19mm) concentric. Surface arrays are comprised of 4 knockouts: two 1" (25mm) standard knockouts and two ½" (13mm) ¾" (19mm) concentric.

Cabinets include one pair of front-to-rear adjustable mounting rails tapped 10-32. Channel slides provide adjustment (four per side on 44RU & 40RU models, three per side on 35RU models, and two per side on 24RU and 21RU models.) Rails are standard E.I.A. ⅝"-⅝"-½" spacing. Stamped, perforated vents are located on front, sides and rear door to allow for maximum air convection. Cabinet surface is phosphate pre-treated for proper paint adhesion. Standard finish is textured black epoxy #962.



221-18

41"



Specifications

Width (Outside)	22.3125" (567mm)
Height (Outside)	41" (1041mm)
Depth (Outside)	18.5" (470mm)
Panel Space	21RU, 36.75" (933mm)
Usable Depth	17" (432mm)
Top Panel Opening	6RU, 10.5" (266mm)
UL Listed	1678

Optional Accessories

1" Deep Plexiglass Front Door	PFD21
1" Deep Solid Front Door	SFD21
1" Deep Perforated Front Door	MPFD21
3" Deep Perforated Front Door	N/A
Solid Top Panel	SPR6
Perforated Top Panel	PPR6
Fan Panel Top	EFT6-4
Vented Side Panel	SPS35-25
Roller Cart / Caster Kit	CT1020-962
Additional Rack Rails	RR21

221-25

41"



Specifications

Width (Outside)	22.3125" (567mm)
Height (Outside)	41" (1041mm)
Depth (Outside)	25.5" (648mm)
Panel Space	21RU, 36.875" (937mm)
Usable Depth	24" (610mm)
Top Panel Opening	6RU, 10.5" (266mm)
UL Listed	1678

Optional Accessories

1" Deep Plexiglass Front Door	PFD21
1" Deep Solid Front Door	SFD21
1" Deep Perforated Front Door	MPFD21
3" Deep Perforated Front Door	N/A
Solid Top Panel	SPR6
Perforated Top Panel	PPR6
Fan Panel Top	EFT6-4
Roller Cart / Caster Kit	RCK-25
Additional Rack Rails	RR21

221-30

41"



Specifications

Width (Outside)	22.3125" (567mm)
Height (Outside)	41" (1041mm)
Depth (Outside)	30" (762mm)
Panel Space	21RU, 36.75" (933mm)
Usable Depth	28.563" (726mm)
Top Panel Opening	6RU, 10.5" (267mm)
UL Listed	1678

Optional Accessories

1" Deep Plexiglass Front Door	PFD21
1" Deep Solid Front Door	SFD21
1" Deep Perforated Front Door	MPFD21
3" Deep Perforated Front Door	N/A
Solid Top Panel	SPR6
Perforated Top Panel	PPR6
Fan Panel Top	EFT6-4
Roller Cart / Caster Kit	RCK-30
Additional Rack Rails	RR21

224-18

46.25"



Specifications

Width (Outside)	22.3125" (567mm)
Height (Outside)	46.25" (1175mm)
Depth (Outside)	18.5" (470mm)
Panel Space	24RU, 42" (1067mm)
Usable Depth	17" (432mm)
Top Panel Opening	6RU, 10.5" (266mm)
UL Listed	1678

Optional Accessories

1" Deep Plexiglass Front Door	PFD24
1" Deep Solid Front Door	SFD24
1" Deep Perforated Front Door	MPFD24
3" Deep Perforated Front Door	MPFD24-3
Solid Top Panel	SPR6
Perforated Top Panel	PPR6
Fan Panel Top	EFT6-4
Roller Cart / Caster Kit	CT1020-962
Additional Rack Rails	RR24

224-25

46.25"



Specifications

Width (Outside)	24.3125" (618mm)
Height (Outside)	46.25" (1175mm)
Depth (Outside)	25.5" (648mm)
Panel Space	24RU, 42" (1067mm)
Usable Depth	24" (610mm)
Top Panel Opening	6RU, 10.5" (266mm)
UL Listed	1678

Optional Accessories

1" Deep Plexiglass Front Door	PFD24
1" Deep Solid Front Door	SFD24
1" Deep Perforated Front Door	MPFD24
3" Deep Perforated Front Door	MPFD24-3
Solid Top Panel	SPR6
Perforated Top Panel	PPR6
Fan Panel Top	EFT6-4
Roller Cart / Caster Kit	RCK-250
Additional Rack Rails	RR24

224-30

46.25"



Specifications

Width (Outside)	22.3125" (567mm)
Height (Outside)	46.25" (1175mm)
Depth (Outside)	30" (762mm)
Panel Space	24RU, 42" (1067mm)
Usable Depth	28.56" (725mm)
Top Panel Opening	6RU, 10.5" (267mm)
UL Listed	1678

Optional Accessories

1" Deep Plexiglass Front Door	PFD24
1" Deep Solid Front Door	SFD24
1" Deep Perforated Front Door	MPFD24
3" Deep Perforated Front Door	MPFD24-3
Solid Top Panel	SPR6
Perforated Top Panel	PPR6
Fan Panel Top	EFT6-4
Roller Cart / Caster Kit	RCK-30
Additional Rack Rails	RR24



235-18



Specifications

Width (Outside)	22.3125" (567mm)
Height (Outside)	65.5" (1664mm)
Depth (Outside)	18.5" (470mm)
Panel Space	35RU, 61.25" (1556mm)
Usable Depth	17" (432mm)
Top Panel Opening	6RU, 10.5" (267mm)
UL Listed	1678

Optional Accessories

1" Deep Plexiglass Front Door	PFD35
1" Deep Solid Front Door	SFD35
1" Deep Perforated Front Door	MPFD35
3" Deep Perforated Front Door	MPFD35-3
Solid Top Panel	SPR6
Perforated Top Panel	PPR6
Fan Panel Top	EFT6-4
Roller Cart / Caster Kit	CT1020-962
Additional Rack Rails	RR35

235-25



Specifications

Width (Outside)	22.3125" (566mm)
Height (Outside)	65.5" (1664mm)
Depth (Outside)	25.5" (648mm)
Panel Space	35RU, 61.31" (1557mm)
Usable Depth	24" (610mm)
Top Panel Opening	6RU, 10.5" (267mm)
UL Listed	1678

Optional Accessories

1" Deep Plexiglass Front Door	PFD35
1" Deep Solid Front Door	SFD35
1" Deep Perforated Front Door	MPFD35
3" Deep Perforated Front Door	MPFD35-3
Solid Top Panel	SPR6
Perforated Top Panel	PPR6
Fan Panel Top	EFT6-4
Roller Cart / Caster Kit	RCK-25
Additional Rack Rails	RR35

235-30



Specifications

Width (Outside)	22.3125" (567mm)
Height (Outside)	65.5" (1664mm)
Depth (Outside)	30" (762mm)
Panel Space	35RU, 61.25" (1556mm)
Usable Depth	28.5625" (725mm)
Top Panel Opening	6RU, 10.5" (267mm)
UL Listed	1678

Optional Accessories

1" Deep Plexiglass Front Door	PFD35
1" Deep Solid Front Door	SFD35
1" Deep Perforated Front Door	MPFD35
3" Deep Perforated Front Door	MPFD35-3
Solid Top Panel	SPR-6
Perforated Top Panel	PPR-6
Fan Panel Top	EFT6-4
Roller Cart / Caster Kit	RCK-30
Additional Rack Rails	RR35

240-18



Specifications

Width (Outside)	22.3125" (567mm)
Height (Outside)	74.25" (1886mm)
Depth (Outside)	18.5" (470mm)
Panel Space	40RU, 70" (1778mm)
Usable Depth	17" (432mm)
Top Panel Opening	6RU, 10.5" (267mm)
UL Listed	1678

Optional Accessories

1" Deep Plexiglass Front Door	PFD40
1" Deep Solid Front Door	SFD40
1" Deep Perforated Front Door	MPFD40
3" Deep Perforated Front Door	N/A
Solid Top Panel	SPR6
Perforated Top Panel	PPR6
Fan Panel Top	EFT6-4
Roller Cart / Caster Kit	CT1020-962
Additional Rack Rails	RR40

240-25



Specifications

Width (Outside)	22.3125" (567mm)
Height (Outside)	74.25" (1886mm)
Depth (Outside)	25.5" (648mm)
Panel Space	40RU, 70.125" (1781mm)
Usable Depth	24" (610mm)
Top Panel Opening	6RU, 10.5" (267mm)
UL Listed	1678

Optional Accessories

1" Deep Plexiglass Front Door	PFD40
1" Deep Solid Front Door	SFD40
1" Deep Perforated Front Door	MPFD40
3" Deep Perforated Front Door	N/A
Solid Top Panel	SPR6
Perforated Top Panel	PPR6
Fan Panel Top	EFT6-4
Roller Cart / Caster Kit	RCK-25
Additional Rack Rails	RR40

240-30



Specifications

Width (Outside)	22.3125" (567mm)
Height (Outside)	74.25" (1886mm)
Depth (Outside)	30" (762mm)
Panel Space	40RU, 70" (1778mm)
Usable Depth	28.5625" (725mm)
Top Panel Opening	6RU, 10.5" (267mm)
UL Listed	1678

Optional Accessories

1" Deep Plexiglass Front Door	PFD40
1" Deep Solid Front Door	SFD40
1" Deep Perforated Front Door	MPFD40
3" Deep Perforated Front Door	N/A
Solid Top Panel	SPR6
Perforated Top Panel	PPR6
Fan Panel Top	EFT6-4
Roller Cart / Caster Kit	RCK-30
Additional Rack Rails	RR40

244-18

81.25"



Specifications

Width (Outside)	22.3125" (567mm)
Height (Outside)	81.25" (2064mm)
Depth (Outside)	18.5" (470mm)
Panel Space	44RU, 77" (1956mm)
Usable Depth	17" (432mm)
Top Panel Opening	6RU, 10.5" (267mm)
UL Listed	1678

Optional Accessories

1" Deep Plexiglass Front Door	PFD44
1" Deep Solid Front Door	SFD44
1" Deep Perforated Front Door	MPFD44
3" Deep Perforated Front Door	N/A
Solid Top Panel	SPR6
Perforated Top Panel	PPR6
Fan Panel Top	EFT6-4
Roller Cart / Caster Kit	CT1020-962
Additional Rack Rails	RR44

244-25

81.25"



Specifications

Width (Outside)	22.3125" (567mm)
Height (Outside)	81.25" (2064mm)
Depth (Outside)	25.5" (648mm)
Panel Space	44RU, 77" (1956mm)
Usable Depth	24" (610mm)
Top Panel Opening	6RU, 10.5" (266mm)
UL Listed	1678

Optional Accessories

1" Deep Plexiglass Front Door	PFD44
1" Deep Solid Front Door	SFD44
1" Deep Perforated Front Door	MPFD44
3" Deep Perforated Front Door	N/A
Solid Top Panel	SPR6
Perforated Top Panel	PPR6
Fan Panel Top	EFT6-4
Roller Cart / Caster Kit	RCK-25
Additional Rack Rails	RR44

244-30

81.25"



Specifications

Width (Outside)	22.3125" (567mm)
Height (Outside)	81.25" (2064mm)
Depth (Outside)	30" (762mm)
Panel Space	44RU, 77" (1956mm)
Usable Depth	28.5625" (725mm)
Top Panel Opening	6RU, 10.5" (267mm)
UL Listed	1678

Optional Accessories

1" Deep Plexiglass Front Door	PFD44
1" Deep Solid Front Door	SFD44
1" Deep Perforated Front Door	MPFD44
3" Deep Perforated Front Door	N/A
Solid Top Panel	SPR6
Perforated Top Panel	PPR6
Fan Panel Top	EFT6-4
Roller Cart / Caster Kit	RCK-30
Additional Rack Rails	RR44



100 Series racks were developed to provide a solution that meets the requirements of most basic installations. Utilizing a simple to install design with no unneeded features, the 100 Series is the ideal choice for addressing function and economy.



144-18

19" Wide Opening Stand-Alone Floor Cabinet with Fixed Rails, UL Listed

Applications

Atlas 100 Series floor cabinets are an affordable solution to house equipment for Government, Military, Commercial and Residential applications. These cabinets are commonly used to house Communications equipment, Audio Video equipment, Computer equipment, Broadcast equipment, Security systems, CCTV equipment, IT equipment, Industrial systems and Building Management Systems.

Features

- UL 1678 Listed
- Five Model Heights Available
- Locking Rear Door Offers Right- or Left-Hand Hinging Capability
- Threaded Hinge Inserts are Pre-Drilled on Both the Left and Right Sides of the Rack Allowing for Easy Installation with No Extra Drilling Required
- Up to 6RU (or Combinations to 6RU) Panel Opening in Top Offers Wiring Convenience or Fan Panel Cooling with Optional EFP Series Fan Kits
- Increased Opening in Base Facilitates Wiring to Conduit or Below Floor Raceways
- Functional 3RU Blank Panel (5¼") Provided on Models 35RU or Taller
- Manufactured to E.I.A. Standards
- Includes Perforated Front, Rear and Side Vents for Heat Dissipation
- Pre-Drilled to Accept M-1A Cabinet Mount IR Repeater

General Description

The 100 Series cabinets are 18½" deep, 22⅝" wide, and available in five different RU heights, 21RU, 24RU, 35RU, 40RU and 44RU. The cabinets are welded 16-gauge CRS and assembled for immediate use.

Rear doors are hung with quick-release spring hinges which allow them to be rotated 180° for right- or left-hand opening. Rear door includes flush door handle and cylinder lock. If front door is ordered, it will be keyed differently than the rear door for security.

The 100 Series cabinet line offers several installer-friendly advantages, including a 6RU standard panel width opening in the cabinet top and conduit arrays. The top opening can be left open for wire access and/or ventilation, partially covered with the ISOPANEL™ for non-conductive cable access or closed using 2 standard 5¼" (3RU) panels. Top opening is also perfect for installing EFP Series fan. Conduit arrays are located on the top and bottom surface panels, as well as the top and bottom back flanges. Flange arrays consist of five knockouts, three 1" (25mm) standard, and two, ½" (13mm) ¾" (19mm) concentric. Surface arrays are comprised of 4 knockouts: two 1" (25mm) standard knockouts and two ½" (13mm) ¾" (19mm) concentric.

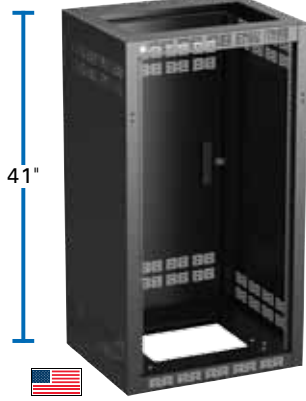
Stamped, perforated vents are located on front, sides and rear door to allow for maximum air convection. Cabinets include one pair of 12-gauge, CRS fixed mounting rails tapped 10–32 and recessed ⅝" (16mm). Rails are standard E.I.A. spacing. Cabinet surface is phosphate pre-treated for proper paint adhesion. Standard finish is textured black epoxy #962.



Atlas Rack Loaded with AV Equipment



121-18



Specifications

Width (Outside)	22.3125" (567mm)
Height (Outside)	41" (1041mm)
Depth (Outside)	18.5" (470mm)
Panel Space	21RU, 36.75" (933mm)
Usable Depth	17" (432mm)
UL Listed	1678

Optional Accessories

1" Deep Plexiglass Front Door	PFD21
1" Deep Solid Front Door	SFD21
1" Deep Perforated Front Door	MPFD21
3" Deep Perforated Front Door	NA
Solid Top Panel	SPR6
Perforated Top Panel	PPR6
Fan Panel Top	EFT6-4
Roller Cart / Caster Kit	CT1020-962

124-18



Specifications

Width (Outside)	22.3125" (567mm)
Height (Outside)	46.25" (1175mm)
Depth (Outside)	18.5" (470mm)
Panel Space	24RU, 42" (1067mm)
Usable Depth	17" (432mm)
UL Listed	1678

Optional Accessories

1" Deep Plexiglass Front Door	PFD24
1" Deep Solid Front Door	SFD24
1" Deep Perforated Front Door	MPFD24
3" Deep Perforated Front Door	MPFD24-3
Solid Top Panel	SPR6
Perforated Top Panel	PPR6
Fan Panel Top	EFT6-4
Roller Cart / Caster Kit	CT1020-962

135-18



Specifications

Width (Outside)	22.3125" (567mm)
Height (Outside)	65.5" (1664mm)
Depth (Outside)	18.5" (470mm)
Panel Space	35RU, 61.25" (1556mm)
Usable Depth	17" (432mm)
UL Listed	1678

Optional Accessories

1" Deep Plexiglass Front Door	PFD35
1" Deep Solid Front Door	SFD35
1" Deep Perforated Front Door	MPFD35
3" Deep Perforated Front Door	MPFD35-3
Solid Top Panel	SPR6
Perforated Top Panel	PPR6
Fan Panel Top	EFT6-4
Roller Cart / Caster Kit	CT1020-962

140-18



Specifications

Width (Outside)	22.3125" (567mm)
Height (Outside)	74.25" (1886mm)
Depth (Outside)	18.5" (470mm)
Panel Space	40RU, 70.0" (1778mm)
Usable Depth	17.0" (432mm)
UL Listed	1678

Optional Accessories

1" Deep Plexiglass Front Door	PFD40
1" Deep Solid Front Door	SFD40
1" Deep Perforated Front Door	MPFD40
3" Deep Perforated Front Door	N/A
Solid Top Panel	SPR6
Perforated Top Panel	PPR6
Fan Panel Top	EFT6-4
Roller Cart / Caster Kit	CT1020-962

144-18



Specifications

Width (Outside)	22.3125" (567mm)
Height (Outside)	81.25" (2024mm)
Depth (Outside)	18.5" (470mm)
Panel Space	44RU, 77.0" (1956mm)
Usable Depth	17.0" (432mm)
UL Listed	1678

Optional Accessories

1" Deep Plexiglass Front Door	PFD44
1" Deep Solid Front Door	SFD44
1" Deep Perforated Front Door	MPFD44
3" Deep Perforated Front Door	N/A
Solid Top Panel	SPR6
Perforated Top Panel	PPR6
Fan Panel Top	EFT6-4
Roller Cart / Caster Kit	CT1020-962



Technician Adjusting Parts for Metal Break Machine



WMA Series is the top of the line wall mount rack that offers superior construction and features to meet the needs of any wall mount installation. Designed with a separate back box section that can be installed during construction to mark the rack's location, the front section and accessories can then be installed when construction is finished.



WMA10-23

19" Wide Opening Stand-Alone High Strength Wall Cabinet with Adjustable Rails, UL Listed

Applications

The WMA Series is a high strength cabinet used to house electronic equipment for any type of application, both commercial and residential, where a floor standing cabinet is not practical. Applications include Communications equipment, Audio Video equipment, Security systems, CCTV equipment, IT equipment, Industrial systems and Computer equipment.

Features

- UL Listed 1678
- Selection Includes Models with 18" Deep Center Mounting Sections Providing up to 23.5" of Usable Depth
- Top and Bottom Cutouts for Atlas Sound EFP Series Fans. (Ships with 3RU Blank Panels Installed)
- Internal Alignment Frame Provides Support Throughout Travel Range of Center Section
- Includes Perforated Front, Rear and Side Vents for Heat Dissipation
- Internal Bracing Provides Cable Management and Pass Thru's
- Adjustable Mounting Rails Provide Flexibility
- Rear Section Conduit and Rough-In Openings on Top, Bottom and Rear
- Mirror Image Lockable Rear Section Allows Left-or Right-Hinging of Center Section Regardless of Orientation, Often by One Person
- Threaded Hinge Inserts are Pre-Drilled on Both the Left and Right Sides of the Rack Allowing for Easy Installation with No Extra Drilling Required
- Rear Section Boxed Separately on Same Pallet with Center Section, Allows Contractor to Send Rear Section to Job Site for Rough In
- Finished in #962 Black Epoxy
- 12.5" x 12.5" Cut-Out On Back Pan Allows Easy Cable Access Through Mounting Surface
- Continuous Slot "Hat" Design Allows Full Front to Back Adjustment of Rack Rails. Securing Holes, Top and Bottom Provide Fixed Positioning of Rails
- Ships with One Set of Plated Rack Rails and (100) 1/8"x .75" Rack Screws with Captive Washers
- Rails Include Hash Marks to Indicate Rack Unit Increments
- Side Lock Security System Provides an Easy Yet Secure Method of Joining Center Section to Back Pan
- Rear Section Includes Raised Mounting Embosses to Mount Power and Other Accessories

General Description

The WMA Series wall cabinets are 16-gauge, welded with 18" deep center-section and adjustable mounting rails, and a 4 1/2" deep rear section. Panel space openings range from 10RU to 35RU. Cabinets are equipped with provisions for custom cabinet mounting, wire management, equipment mounting, and structural support. Cabinets are finished in a black electrostatic powder coat.

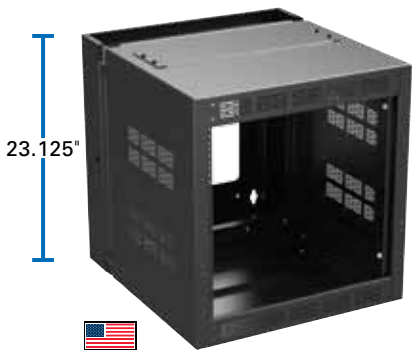
All models include adjustable front rack rails tapped 10-32, and manufactured to standard E.I.A. 1/2" spacing. Hat channels provide adjustable rack rail support with securing holes for fixed positioning of rails. Top and Bottom removable 3RU panels are located in the center section of the cabinet for EFP Series fan panels for further ventilation or for isolation panels for power.

The back face of the rear section is equipped with 1/4" deep boss detents which give Contractors field flexibility to install a custom plywood, aluminum, or steel sub-plate for mounting accessories inside the cabinet. Boss detents are on 12" centers. The rear section provides an interchangeable Right or Left hand cylinder lock for security. The cabinets have 16 conduit knockouts on the top of the rear section and 16 on the bottom of the rear section. Knockouts consist of two 1/2" (12.7mm) standard, three 1" (25mm)/1 1/8" (34.9mm) concentric and four 1/2" (13mm) / 3/4" (19mm) concentric. Perforated vents, located on both sides (top and bottom) of the center section, provide ventilation for rack-mounted electronics. The cabinets offer a non-sagging design. The units' one-piece front and rear sections are strengthened with an internal alignment frame that supports the center section of the cabinet through its entire travel range.



WMA16-23

WMA10-23



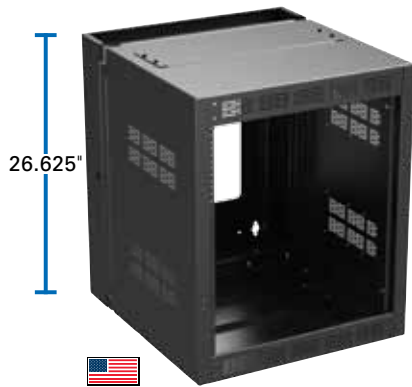
Specifications

Width (Outside)	21.875" (555.63mm)
Height (Outside)	23.125" (587.38mm)
Depth (Outside)	23.53" (597.66mm)
Panel Space	10RU, 17.5" (444.5mm)
Total Usable Depth	22.5" (571.5mm)
-Rack Usable Depth	18" (457.2mm)
-Rear Door Usable Depth	4.5" (114mm)
Usable Depth	18" (457.2mm)
Top Panel Opening	3RU, 5.25" (89mm)
UL Listed	1678

Optional Accessories

1" Deep Plexiglass Front Door	PFD10
1" Deep Solid Front Door	MPFD10
1" Deep Perforated Front Door	SFD10
3" Deep Perforated Front Door	MPFD10-3
Solid Top Panel	SPR3
Perforated Top Panel	PPR3
Fan Panel Top	EFP3-1, EFP3-2
Additional Rack Rails	WMA-RR10

WMA12-23



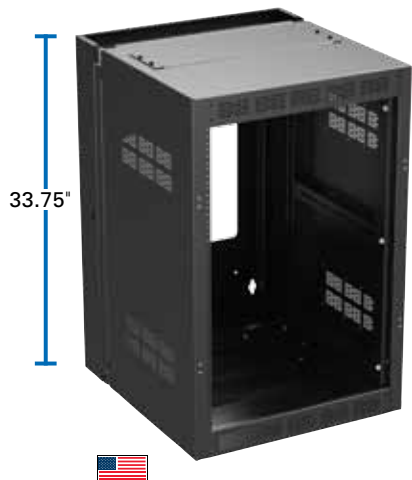
Specifications

Width (Outside)	21.875" (555.63mm)
Height (Outside)	26.625" (676.28mm)
Depth (Outside)	23.53" (597.66mm)
Panel Space	12RU, 21" (533mm)
Total Usable Depth	22.5" (571.5mm)
-Rack Usable Depth	18" (457.2mm)
-Rear Door Usable Depth	4.5" (114mm)
Top Panel Opening	3RU, 5.25" (89mm)
UL Listed	1678

Optional Accessories

1" Deep Plexiglass Front Door	PFD12
1" Deep Solid Front Door	MPFD12
1" Deep Perforated Front Door	SFD12
3" Deep Perforated Front Door	MPFD12-3
Solid Top Panel	SPR3
Perforated Top Panel	PPR3
Fan Panel Top	EFP3-1, EFP3-2
Additional Rack Rails	WMA-RR12

WMA16-23



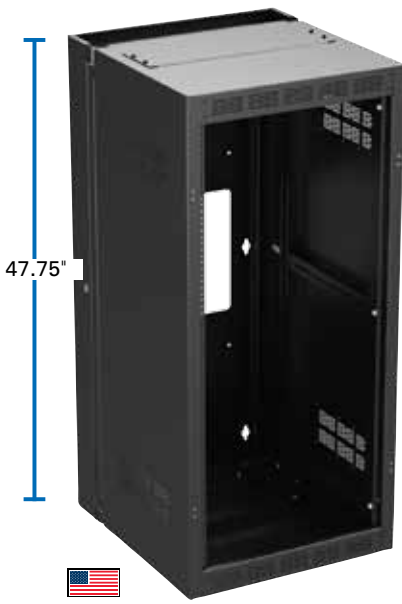
Specifications

Width (Outside)	21.875" (555.63mm)
Height (Outside)	33.75" (857.25mm)
Depth (Outside)	23.53" (597.66mm)
Panel Space	16RU, 28.125" (714.4mm)
Total Usable Depth	22.5" (571.5mm)
-Rack Usable Depth	18" (457.2mm)
-Rear Door Usable Depth	4.5" (114mm)
Top Panel Opening	3RU, 5.25" (89mm)
UL Listed	1678

Optional Accessories

1" Deep Plexiglass Front Door	PFD16
1" Deep Solid Front Door	MPFD16
1" Deep Perforated Front Door	SFD16
3" Deep Perforated Front Door	MPFD16-3
Solid Top Panel	SPR3
Perforated Top Panel	PPR3
Fan Panel Top	EFP3-1, EFP3-2
Additional Rack Rails	WMA-RR14

WMA24-23



Specifications

Width (Outside)	21.875" (555.63mm)
Height (Outside)	47.75" (1212.85mm)
Depth (Outside)	23.53" (597.66mm)
Panel Space	24RU, 42.125" (1070mm)
Total Usable Depth	22.5" (571.5mm)
-Rack Usable Depth	18" (457.2mm)
-Rear Door Usable Depth	4.5" (114mm)
Top Panel Opening	3RU, 5.25" (89mm)
UL Listed	1678

Optional Accessories

1" Deep Plexiglass Front Door	PFD24
1" Deep Solid Front Door	MPFD24
1" Deep Perforated Front Door	SFD24
3" Deep Perforated Front Door	MPFD24-3
Solid Top Panel	SPR3
Perforated Top Panel	PPR3
Fan Panel Top	EFP3-1, EFP3-2
Additional Rack Rails	WMA-RR24

WMA35-23



Specifications

Width (Outside)	21.875" (555.63mm)
Height (Outside)	67" (1701.8mm)
Depth (Outside)	23.53" (597.66mm)
Panel Space	35RU, 61" (1549.4mm)
Total Usable Depth	22.5" (571.5mm)
-Rack Usable Depth	18" (457.2mm)
-Rear Door Usable Depth	4.5" (114mm)
Top Panel Opening	3RU, 5.25" (89mm)
UL Listed	1678

Optional Accessories

1" Deep Plexiglass Front Door	PFD35
1" Deep Solid Front Door	MPFD35
1" Deep Perforated Front Door	SFD35
3" Deep Perforated Front Door	MPRD35-3
Solid Top Panel	SPR3
Perforated Top Panel	PPR3
Fan Panel Top	EFP3-1, EFP3-2
Additional Rack Rails	WMA-RR35



Technician Programing TruLaser



300 Series racks were developed to offer the solid construction of an Atlas rack in a wall mountable design. These racks include many of the benefits found in Atlas floor standing racks but include wall mounting capability. 300 Series racks are available in several heights and depths making them versatile enough for installation from classrooms to full-scale AV closets.



307-12

19" Wide Opening Wall Cabinet with Adjustable Rails

Applications

The 300 Series is ideal to house electronic equipment for any type of application, both commercial and residential, where a floor standing cabinet is not practical. Applications include Communications equipment, Audio Video equipment, Security systems, CCTV equipment, IT equipment, Industrial systems and Computer equipment.

Features

- Sturdy Wall-Mount Cabinet Protects Equipment and Saves Valuable Floor Space
- Selection Includes Models With 12" and 15" Deep Center Mounting Sections
- Reinforced Frame Flanges, Plus Corner-Brace Structural Supports and Electric-Welded Seams & Miters Provide Stability for Mounted Equipment
- Punched Vents Assure Heat Dissipation
- Internal Wire Management Raceway
- Adjustable Mounting Rails Provide Flexibility Rear Section Conduit and Rough-In Openings
- Alignment Pins with Screw Type Locking Rods for Closure of Center Section

General Description

The 300 Series wall cabinets are welded with center-section depths of 12" and 15", respectively. Basic model includes three, 16-gauge CRS sections which include a 2" deep, solid-steel front door, a 12" or 15" deep center section with adjustable mounting rails, and a 4½" deep rear pan. Panel space openings range from 7 RU to 35 RU (depending on series - see chart on page 1). Enclosures are equipped with provisions for custom cabinet mounting, wire management, equipment mounting, and structural support (see below for detailed information). Cabinet is finished in #962 black epoxy.

All models include adjustable front rack rails tapped 10–32, and manufactured to standard E.I.A. ½" spacing. Models with RU openings of 16RU, 24RU and 35RU are equipped with center section mounting rail supports.

Internal open raceways provide cable pathways in the cabinet. Corner brace supports, which straddle the back and side panel of the rear section (hinge side), also feature round (1¼" diameter) wire access holes for harnessing excess wire. The back face of the rear section is equipped with ¼" deep boss detents which give Contractors field flexibility to install a custom plywood, aluminum, or steel sub-plate for mounting accessories inside the cabinet. Boss detents are on 12" centers and vary depending upon model height (10RU, 12RU, and 16RU models have four detents, 24RU models have six detents and 35RU models have eight detents).

The cabinets have 20 conduit knockouts on the rear section, with the exception of the 307-12 which has 16. Conduit arrays are located at the top and bottom of the back panel (except 307-12 which has a centered array), as well as on the top and bottom back flanges. Panel arrays consist of four knockouts: two 1" (25mm) standard and two ½" (13mm) / ¾" (19mm) concentric. Top and bottom flange arrays are comprised of six knockouts: three 1" (25mm) standard and three ½" (13mm) / ¾" (19mm) concentric.

Perforated vents, located on both sides (top and bottom) of the center section, provide ventilation for rack-mounted electronics. The cabinets offer exceptional structural support. The units' one-piece front and rear sections are strengthened with frame flanges on bottom, top, and sides. Center sections are plug-welded, joining bottom and top panels to side panels. Rear sections have corner brace supports which bridge the back and side panel (hinge side) giving the back (mounted) panel extra reinforcement for tension relief.

Cabinets also have electric-welded seams and miters which increases the cabinets' overall bonding. The center section offers maximum reinforcement provisions, such as a uniquely designed center section guide plate that reduces potential sagging by distributing cabinet and equipment weight to rear section. The 11-gauge, 1⅞" wide guide plate, which mounts to the rear section's bottom flange, provides a ¼" lip for added support to the center section when the cabinet is open or closed. The plate also ensures that an equipment-weighted center section will close properly, by "guiding" alignment pins into respective holes. An optional caster for carrying the weight of the center sections is available (Atlas CT31A).



310-15



316-12



307-12



Specifications

Width (Outside)	20.625" (524mm)
Height (Outside)	15.5" (393mm)
Depth (Outside)	18.5" (470mm)
Panel Space	7RU, 12.25" (311.2mm)
Usable Depth	12" (305mm)

Optional Accessories

Support Wheel	CT31A
Rear Rack Rails	—

310-12



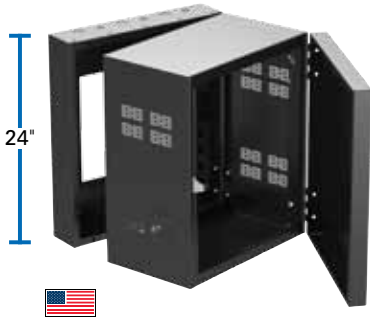
Specifications

Width (Outside)	20.625" (524mm)
Height (Outside)	20.5" (521mm)
Depth (Outside)	18.5" (470mm)
Panel Space	10RU, 17.5" (445mm)
Usable Depth	12" (305mm)

Optional Accessories

Support Wheel	CT31A
Rear Rack Rails	RR310

312-12



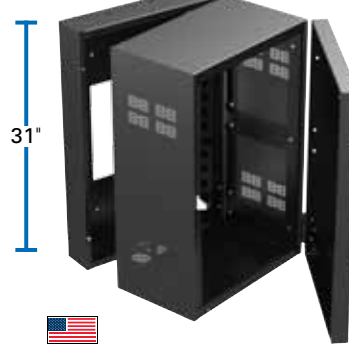
Specifications

Width (Outside)	20.625" (524mm)
Height (Outside)	24" (610mm)
Depth (Outside)	18.5" (470mm)
Panel Space	12RU, 21" (533.4mm)
Usable Depth	12" (305mm)

Optional Accessories

Support Wheel	CT31A
Rear Rack Rails	RR312

316-12



Specifications

Width (Outside)	20.625" (524mm)
Height (Outside)	31" (787mm)
Depth (Outside)	18.5" (470mm)
Panel Space	16RU, 28.125" (714mm)
Usable Depth	12" (305mm)

Optional Accessories

Support Wheel	CT31A
Rear Rack Rails	RR316

324-12



Specifications

Width (Outside)	20.625" (524mm)
Height (Outside)	45" (1143mm)
Depth (Outside)	18.5" (470mm)
Panel Space	24RU, 42.125" (1070mm)
Usable Depth	12" (305mm)

Optional Accessories

Support Wheel	CT31A
Rear Rack Rails	RR324

310-15



Specifications

Width (Outside)	20.625" (524mm)
Height (Outside)	20.5" (521mm)
Depth (Outside)	21.5" (546mm)
Panel Space	10RU, 17.5" (445mm)
Usable Depth	15" (381mm)

Optional Accessories

Support Wheel	CT31A
Rear Rack Rails	RR310

312-15



Specifications

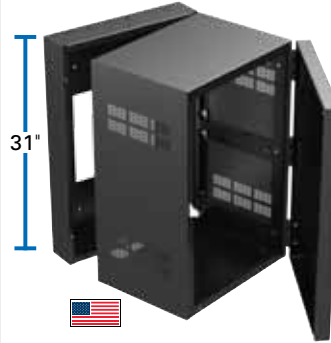
Width (Outside)	20.625" (524mm)
Height (Outside)	24" (610mm)
Depth (Outside)	21.5" (546mm)
Panel Space	12RU, 21" (533mm)
Usable Depth	15" (381mm)

Optional Accessories

Support Wheel	CT31A
Rear Rack Rails	RR312



316-15



Specifications

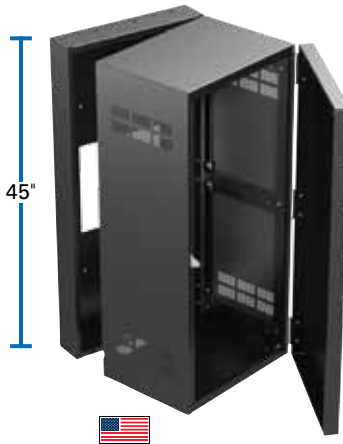
Width (Outside)	20.625" (524mm)
Height (Outside)	31" (787mm)
Depth (Outside)	21.5" (546mm)
Panel Space	16RU, 28.125" (714mm)
Usable Depth	15" (381mm)

Optional Accessories

Support Wheel	CT31A
Rear Rack Rails	RR316



324-15



Specifications

Width (Outside)	20.625" (524mm)
Height (Outside)	45" (1143mm)
Depth (Outside)	21.5" (546mm)
Panel Space	24RU, 42.125" (1070mm)
Usable Depth	15" (381mm)

Optional Accessories

Support Wheel	CT31A
Rear Rack Rails	RR324



335-15



Specifications

Width (Outside)	20.625" (524mm)
Height (Outside)	64.25" (1632mm)
Depth (Outside)	21.5" (546mm)
Panel Space	35RU, 61" (1549mm)
Usable Depth	15" (381mm)

Optional Accessories

Support Wheel	CT31A
Rear Rack Rails	RR335



Completed Racks Being Prepped for Shipping



RX Series was developed to offer a high quality, secure, and mobile rack that can easily be transported from one location to another without having to remove the equipment.



RX14-25SFD



RX21-25

19" Wide Opening Portable Floor Cabinet with Adjustable Rails and Casters

Applications

The RX Series is a high strength cabinet used to house electronic equipment for any type of application, both commercial and residential, where portability and freedom of movement are required. Applications include Communications equipment, Audio Video equipment, Security systems, IT equipment, Industrial systems and Computer equipment.

Features

- Two Model Heights and Depths Available
- Models with "SFD" suffix include Locking Solid Front Door
- 16-gauge CRS Frame Manufactured to E.I.A. Standards
- Four, 4" Heavy-Duty Casters (175 lb. cap./ea.)
- Includes 1 Pair Adjustable, 12-gauge, Front-to-Rear Mounting Rails
- Mounting Rail Supports with Slotted Cut-Outs for Vertical Wire Management
- Rubber-Padded Steel Grip "Road Handles" (2 Per Side)
- Welded Frame for Long-Lasting Durability

Optional Accessories:

- RR Series Rack Rails
- Doors, Drawers, Shelves, Fans, and Accessories
- Lacing Bars
- Front Doors

General Description

RX Series portable cabinets are available in 25½" or 30" depths are 22⅞" wide and available in 14RU and 21RU heights. The cabinets are welded 16-gauge CRS with heavy-duty casters and are fully assembled for immediate use.

Each cabinet is equipped with one front pair of 12-gauge, CRS adjustable mounting rails tapped 10-32 on standard E.I.A. ⅝"-⅝"-½" spacing. Front-to-rear mounting rail supports have slotted cutouts to easily adjust rail depth and to provide open raceways for containing vertically run wire and cable.

Cabinets feature one pair of recessed, hinged, and rubber-padded steel grips on each side (four total) for transport convenience. Easy wiring access is provided through three wire isolation holes (two, 1½" diameter, and one oblong 1½" x 3") in the rear base flange.

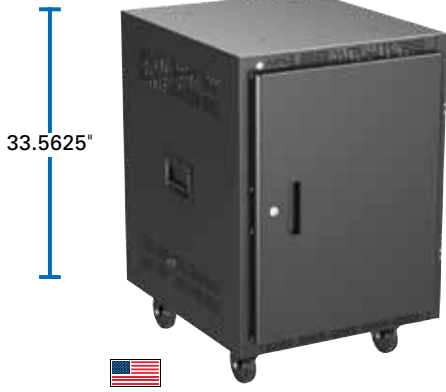
Each cabinet includes four, oversized, heavy-duty casters, two of which are locking, ensuring smooth mobility, and have a load capacity of 175 lb. each (700 lb. total).

Models with "SFD" suffix include locking solid front door and locking vented rear door.

Models without "SFD" suffix include locking vented rear door only to accommodate optional perforated or plexiglass front doors as required.

Cabinet is finished in textured black epoxy.

RX14-25SFD



RX14-25



Specifications

Width (Outside)	22.3125" (567mm)
Height (Outside)	33.5625" (853mm)
Depth (Outside)	25.5" (648mm)
Panel Space	14RU, 24.5" (622.3mm)
Usable Depth	24" (607mm)

Optional Accessories

Additional Rack Rails	RR14
-----------------------	------

Optional Accessories

1" Deep Plexiglass Front Door	PFD14
1" Deep Solid Front Door	SFD14
1" Deep Perforated Front Door	MPFD14

RX14-30SFD



RX14-30



Specifications

Width (Outside)	22.3125" (567mm)
Height (Outside)	33.5625" (853mm)
Depth (Outside)	30" (762mm)
Panel Space	14RU, 24.5" (622.3mm)
Usable Depth	28.5" (724mm)

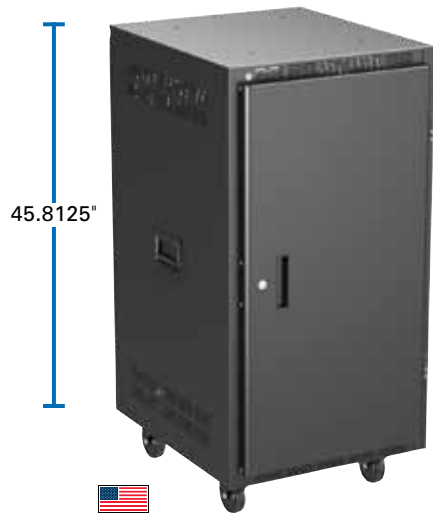
Optional Accessories

Additional Rack Rails	RR14
-----------------------	------

Optional Accessories

1" Deep Plexiglass Front Door	PFD14
1" Deep Solid Front Door	SFD14
1" Deep Perforated Front Door	MPFD14

RX21-25SFD



Specifications

Width (Outside)	22.3125" (567mm)
Height (Outside)	45.8125" (1164mm)
Depth (Outside)	25.5" (648mm)
Panel Space	21RU, 36.75" (933mm)
Usable Depth	24" (607mm)

Optional Accessories

Additional Rack Rails	RR21
-----------------------	------

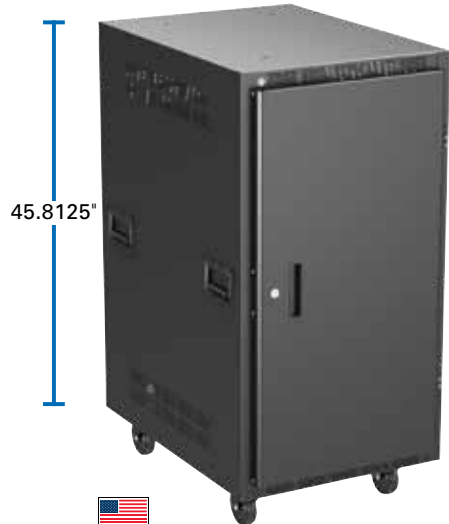
RX21-25



Optional Accessories

1" Deep Plexiglass Front Door	PFD21
1" Deep Solid Front Door	SFD21
1" Deep Perforated Front Door	MPFD21

RX21-30SFD



Specifications

Width (Outside)	22.3125" (567mm)
Height (Outside)	45.8125" (1164mm)
Depth (Outside)	30" (762mm)
Panel Space	21RU, 36.75" (933mm)
Usable Depth	28.5" (724mm)

Optional Accessories

Additional Rack Rails	RR21
-----------------------	------

RX21-30



Optional Accessories

1" Deep Plexiglass Front Door	PFD21
1" Deep Solid Front Door	SFD21
1" Deep Perforated Front Door	MPFD21



400 Series racks were designed to be used in applications where floor standing and wall mounting installation options are not available. These enclosures include the same high quality construction as other Atlas racks but are designed for tabletop installation of control or monitoring equipment.



407-15
Shown with Optional Front Door, SFD407



418-15
Shown with Optional Front Door, SFD418

19" Wide Opening Desktop Cabinet with Fixed Rails

Applications

Atlas 400 Series desktop cabinets are an affordable solution to house equipment for Government, Military, Commercial and Residential applications. These cabinets are commonly used to house Communications equipment, Audio Video equipment, Computer equipment, Broadcast equipment, Security systems, CCTV equipment, IT equipment, Industrial systems, and Building Management Systems.

Features

- Five Model Heights Available
- 16-gauge CRS Cabinet
- EIA Standard Panel Mount Spacing
- 5/8" Offset Front Rack Rails for Panel Mount
- 12-gauge CRS Tapped Mounting Rails
- Locking Rear Door Offers Right- or Left-Hand Hinging Capability
- Spring-Loaded Hinge for Easy Removal of Rear Door
- Keyed Cylinder Lock on Rear Door
- Includes Perforated Side Vents for Heat Dissipation
- Optional Front Surface Door has Right or Left-Hand Hinging Capability

Options

- Solid Front Door
- Drawers, Shelves, Fans, and Accessories
- Lacing Bars and Bus Bars

General Description

Atlas Sound 400 Series cabinets are 15 3/8" deep cabinets designed for "desk top" installations available in five different RU heights, 7RU, 10RU, 12RU, 14RU and 18RU. The 400 Series cabinets are constructed of welded 16-gauge CRS throughout. The side panels are vented to promote air circulation and heat dissipation. A locking rear door mounted on a spring-loaded hinge for easy removal is standard on all models.

The 400 Series cabinets are shipped completely assembled. The cabinets come with 10-32 x 3/4" pan-head screws. Rails are formed from 12-gauge CRS with tapped mounting holes. Panel mounting rails are recessed 5/8" to provide a flush appearance. External wiring is easily strung into the cabinet through the wire entry space below the rear door or panel. Standard finish is textured black epoxy.

A wide variety of convenience and electronic accessories are available for the 400 Series cabinets. An optional Left or Right hand hinging solid front door, Model SFD4xx is available. The door is installed by the customer using the simple drilling template included with the cabinet.



Welding Assembly in our Ennis, TX Facility



407-15

15.5"



Shown with Optional Front Door, SFD407

Specifications

Width (Outside)	22.125" (561mm)
Height (Outside)	15.5" (394mm)
Depth (Outside)	15.375" (391mm)
Panel Space	7RU, 12.25" (311mm)
Usable Depth	14.125" (359mm)

Optional Accessories

1" Deep Solid Front Door SFD407

410-15

15.5"



Shown with Optional Front Door, SFD410

Specifications

Width (Outside)	22.125" (561mm)
Height (Outside)	15.5" (394mm)
Depth (Outside)	15.375" (391mm)
Panel Space	10RU, 17.5" (445mm)
Usable Depth	14.125" (359mm)

Optional Accessories

1" Deep Solid Front Door SFD410

412-15

24.25"



Shown with Optional Front Door, SFD412

Specifications

Width (Outside)	22.125" (561mm)
Height (Outside)	24.25" (616mm)
Depth (Outside)	15.375" (391mm)
Panel Space	12RU, 21" (533.4mm)
Usable Depth	14.125" (359mm)

Optional Accessories

1" Deep Solid Front Door SFD412

414-15



Shown with Optional Front Door, SFD414

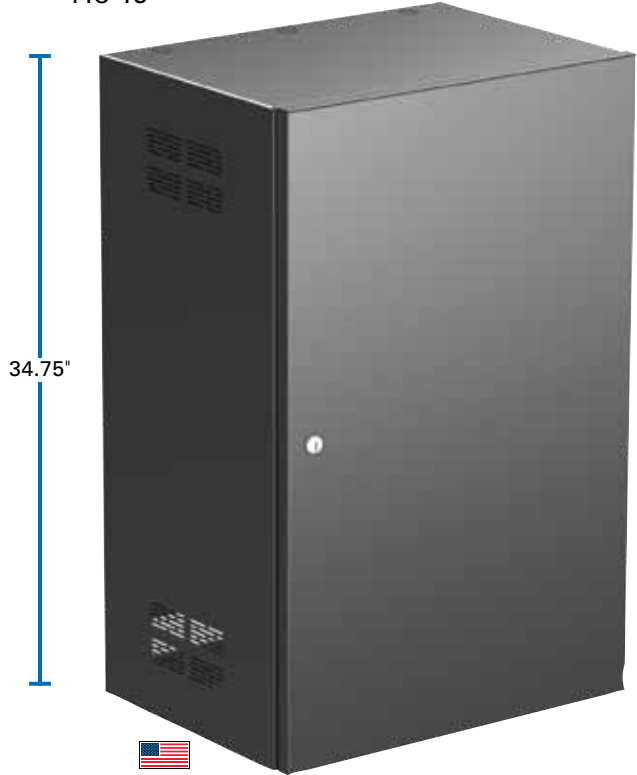
Specifications

Width (Outside)	22.125" (561mm)
Height (Outside)	27.75" (705mm)
Depth (Outside)	15.375" (391mm)
Panel Space	14RU, 24.5" (622.3mm)
Usable Depth	14.125" (359mm)

Optional Accessories

1" Deep Solid Front Door SFD414

418-15



Shown with Optional Front Door, SFD418

Specifications

Width (Outside)	22.3125" (567mm)
Height (Outside)	34.75" (883mm)
Depth (Outside)	15.375" (391mm)
Panel Space	18RU, 31.5" (800mm)
Usable Depth	14.125" (359mm)

Optional Accessories

1" Deep Solid Front Door SFD418



TruLaser Beginning Sheet Metal Cutting Process



600 Series racks were developed for wall mount installations that include only a few pieces of equipment but where the security of a locking door is required to prevent unauthorized tampering.

607-15



19" Wide Opening Stand Alone Basic Wall Cabinet

Applications

The 600 Series is a basic cabinet used to house electronic equipment for any type of application, both commercial and residential, where a floor standing cabinet is not practical. Applications include Communications equipment, Audio Video equipment, Security systems, CCTV equipment, IT equipment, Industrial systems and Computer equipment.

Features

- 16-gauge CRS All Welded Construction with 11-gauge CRS Tapped Mounting Rails
- Locking Front Door
- Vents on Each Side
- 10-32 Pan Head Screws for Panel Mounting
- Completely Assembled
- Convenient Pre-Punched Back Panel for Wall Mounting

Options

- Drawers, Shelves, Fans, and Accessories

General Description

Atlas Sound Model 607-15 is a surface mounting wall cabinet used for housing small electronic system installations including 19" wide amplifiers, tuners and associated communication controls for schools, churches, clubs and recreation facilities. The 607-15 has a vertical panel opening of 12 3/4" (314mm) and is constructed of 16-gauge CRS.

Louvers on each side of the cabinet are provided for ventilation. The 11-gauge CRS panel mounting rails are recessed 5/8" (16mm) for a "flush" look. Locking front door is standard. Panel-mounting screws (10-32 x 3/4") are provided for equipment panel and accessory mounting. Mounting rails are tapped 10-32 on EIA spacing. Three double 1/2" (13mm) and 3/4" (19mm) knockouts are provided on the top and bottom of the cabinet for wire entry. Four keyhole slots for wall hanging are provided on the back panel. The 607-15 is shipped completely assembled and is finished in (#962) black epoxy powder coat.

Specifications

Width (Outside)	22.3125" (567mm)
Height (Outside)	15.5" (394mm)
Depth (Outside)	15.375" (391mm)
Panel Space	7RU 12.25" (311mm)
Usable Depth	14.75" (375mm)



Sharpening the Tool For The Punch Press Before Starting Production



900 Series racks were designed for convenient, flat pack shipping and simple, easy to install construction. The 900 Series can be used as stand alone units or they can be joined together to create a custom size rack based on the requirements of the installation.

19" Wide Opening Stackable Utility Frame

Features

- Unique Rack Engineered for Assembled Strength and Simple Assembly
- Open Frame Design Facilitates Mounting All Types of Equipment
- Packaged for Fast and Reduced Cost Shipping and Compact Storage
- Frames Easily Bolt Together to Accommodate Vertical or Horizontal Racking Needs
- Ideal Cabinet Frame for Economy and Durability in "Behind The Scenes" Applications
- Includes Front and Rear Mounting Rails

Applications

900 Series frames are uniquely engineered to provide assembled strength and shipping/storage economy. These low-cost, innovative units feature quick and simple assembly, and the versatility of the 900 Series allows the frames to be easily stacked for increased vertical space or joined side-by-side for mounting electronics in either free-standing or custom cabinet enclosures.

These frames, which are available in both a 12RU (912-18) and a 16RU (916-18) version, are ideal for theater, residential, broadcast, and retail applications where easy access to equipment mounted behind-the-scenes or under desks/counters is desired. The frames of the 900 Series are intended for permanent installation where doors, side panels, and casters are not required. 900 Series models are offered with 10-32 tapped rails.

General Description

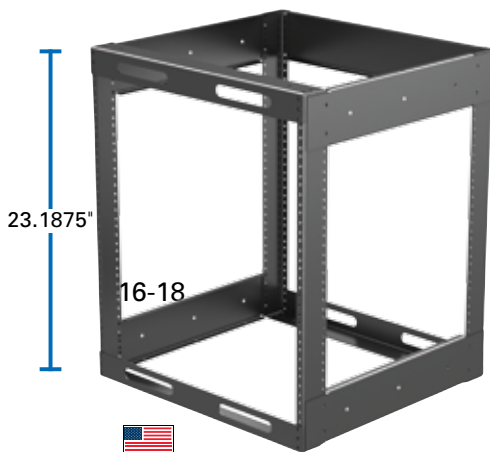
The 900 Series frames are offered in two models, 912-18 which is 12RU high with 17½" (445mm) panel space and 916-18 which is 16RU high with 26¼" (667mm) panel space when the optional top horizontal cross member is removed.

The corner post rails are manufactured of 11-gauge CRS, drilled and tapped for EIA mounting. Three left-to-right horizontal frame members are 14-gauge CRS and offer cutouts for easy wire access and ¼" holes for bolting to floors (if desired). Cutouts can also be used as handles or wire access holes, and may be installed facing up, down, front, or rear. The fourth horizontal frame member is a standard 16-gauge CRS, blank panel measuring 3½" (2RU). The front-to-rear (side) frame members are 16-gauge CRS to provide structural rigidity and to serve as splice plates when joining 900 Series units in stacked configurations. They also are equipped with wire tie holes for wire management.

Units are finished and stocked in textured black epoxy. Entire frame assemblies are shipped knocked-down with hardware bag, that contains black assembly screws and washers as well as 40 extra sets of screws for mounting equipment.

Units can easily be vertically stacked by stacking the rail members and joining them using the front-to-rear members as splice plates. (All necessary hardware is furnished.) Various heights can be achieved by stocking the multiple units on top of each other 12RU and 16RU. Units can also be joined "side-by-side" using the pre-drilled holes in the front-to-rear frame members and owner-supplied hardware.

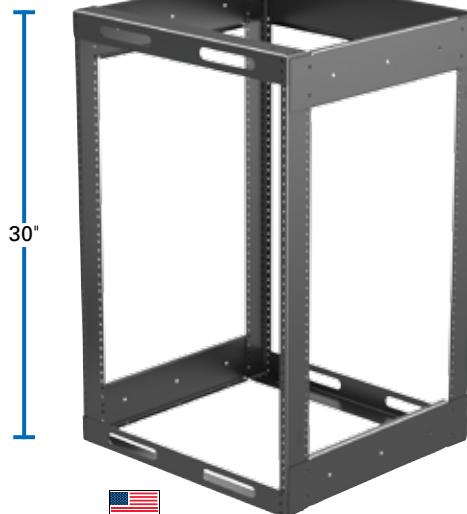
912-18



Specifications

Width (Outside)	19.24" (489mm)
Height (Outside)	23.1875" (589mm)
Depth (Outside)	18" (457mm)
Panel Space	12RU, 21" (533mm)
Usable Depth	14.75" (375mm)

916-18



Specifications

Width (Outside)	19.24" (489mm)
Height (Outside)	30" (762mm)
Depth (Outside)	18" (457mm)
Panel Space	16RU, 28" (711mm)
Usable Depth	14.75" (375mm)





AWR Series was developed to offer a secure mounting location for equipment that would not take up any space on the floor or wall. These tilt out racks are ideal for use in classrooms, boardrooms, and other installations where limited equipment is required and limited space is available.

Applications

Atlas Sound AWR Series is a high strength tilt-out cabinet used to house electronic equipment for both commercial and residential applications where a small footprint and minimal footprint are required. Applications include communications equipment, A/V equipment, Security systems, IT equipment, and Industrial.

General Description

AWR Series tilt-out cabinets offer convenient access and lock-in security in 2RU (AWR2W) and 3RU (AWR3W) models. These welded models can be surface or recess mounted (trim ring included) and include a 3RU panel opening above the main bay for connector panels or power distribution with a usable depth of 4" for the AWR2W and 5.75" for the AWR3W. These cabinets are perfect for mounting remote amplifiers and control equipment.

The series features a 16-gauge CRS formed door frame with a 16-gauge CRS locking tilt-out door which closes against rack face plate. The surface mounting door is attached to the frame internally with 2 pin style hinges to prevent tampering.

Doors can be opened to two positions—tilt-out for operation and by releasing side catches, the door will open to approximately 90° for equipment installation and maintenance. Units are furnished with two steel safety catch cables which suspend and hold doors at 90°.

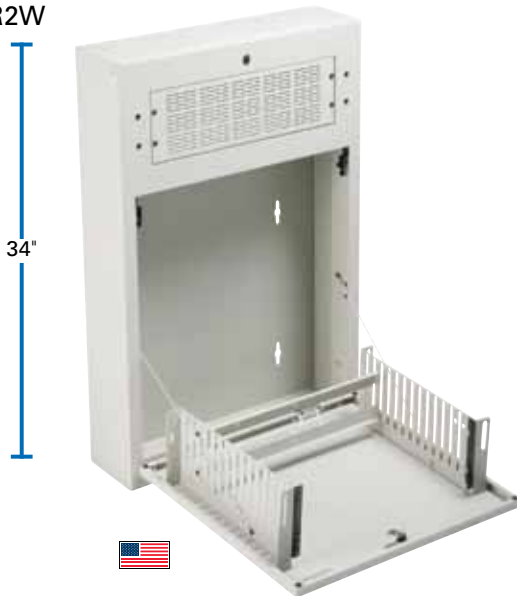
Front panels have 45-degree mitered edges to present a clean flush appearance. Back box is 16-gauge CRS equipped with six concentric knockouts of 1/2" and 3/4". AWR Series is shipped complete and ready for installation. Panel mounting holes accept 10-32 hardware.

19" Wide Opening Tilt-Out Wall Cabinets

Features

- The AWR Series Provides Safety, Security, and Protection for Rack Mount Gear in Commercial Applications
- The AWR Series Includes a Highly Adaptable 3RU Front Access Panel Which is Great for "User Accessible" Electronics
- Adapt the AWR Series to Most Any Wall Surface with the Attractive Flush Mount Trim Ring (Included)

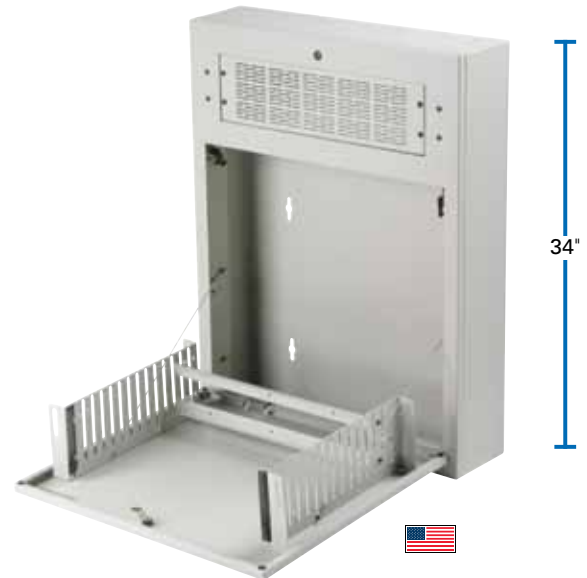
AWR2W



Specifications

RU	2RU
Width (Outside)	27" (686mm)
Height (Outside)	34" (863mm)
Depth (Outside)	4.8" (121mm)
Usable Depth	20" (508mm)
Usable Depth (Bottom RU)	17.25" (438mm)

AWR3W



Specifications

RU	3RU
Width (Outside)	27" (686mm)
Height (Outside)	34" (863mm)
Depth (Outside)	6.55" (167mm)
Usable Depth	20" (508mm)
Usable Depth (Bottom RU)	17.25" (438mm)



Atlas Rack Panels

Choose from a variety of panels to enclose unfilled space and to provide aesthetic continuity and security in 19" electronic equipment cabinets. Solid & perforated models offer dust protection and heat ventilation. All models include oblong mounting holes on E.I.A. universal spacing for adjustment flexibility.

CB Series

Economy solid steel panels are constructed of 14-gauge steel finished in attractive -052 flat black electrostatic powdercoat. Available in 1RU, 2RU, 3RU, & 4RU Heights. 1RU Model, CB1, also available in a 12 piece Bulk Pack, CB1-BP12.

SPR / SPF Series

Solid 16-gauge CRS blank panels are available in a selection of recessed and flush mounting models. SPR Series has formed returns on panel top and bottom for recessed installation. SPF Series are formed on all four sides to exhibit a flush-to-frame appearance. Recessed available in 1RU to 8RU heights. Flush available in 2RU.

PPR / PPF Series

Perforated 22-gauge CRS vent panels provide for natural air circulation and dissipation of equipment generated heat. PPR Series is formed on panel top and bottom for recessed installation. PPF Series is formed on four sides to achieve a flush-to-frame appearance. Recessed available in 1RU to 8RU heights. Flush available in 2RU.

SEC Series Security Covers

Designed to eliminate unauthorized operator tampering to rack mount equipment such as equalizers and rack mount mixers. These 22-gauge construction covers feature fine perforated steel insert for good visibility. Unique radiused corners provide a professional looking installation. Formed edges protect equipment from scratches. Available in 1RU, 2RU, & 3RU heights.

TPS / TPP Series

Top panels for FMA Series & 700 Series. Available as solid (TPS Series) and perforated (TPP Series). Available in 12RU, 14RU, & 18RU heights for 25½", 30", & 36" depth racks, respectively.



PPR2



SPR7



CB3

CB1

CB2

	1RU 1¾"	2RU 3½"	3RU 5¼"	4RU 7"	5RU 8¾"	6RU 10½"	7RU 12¼"	8RU 14"	12RU 21"	14RU 24½"	18RU 31½"
Solid Economy	CB1	CB2	CB3	CB4							
Solid Recessed	SPR1	SPR2	SPR3	SPR4	SPR5	SPR6	SPR7	SPR8			
Solid Flush		SPF2							TPS-25	TPS-30	TPS-36
Perforated Recessed	PPR1	PPR2	PPR3	PPR4	PPR5	PPR6	PPR7				
Perforated Flush									TPP-25	TPP-30	TPP-36
Security Panel	SEC1	SEC2	SEC3								



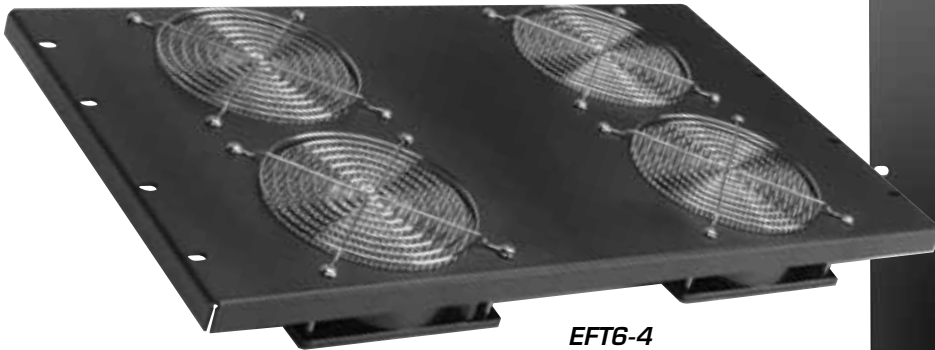
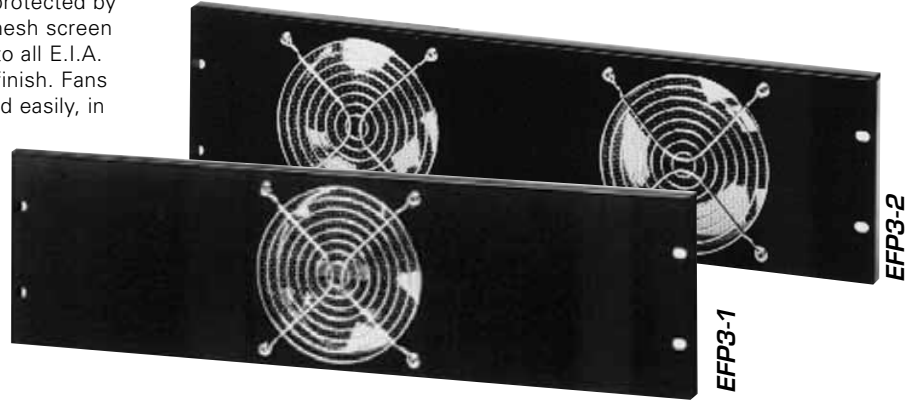
Atlas Rack Fan Panels

EFP Series

Flush fan panel assemblies dissipate equipment-generated heat quickly from 19" cabinets. Front/rear and top loading assemblies are available in single and dual fan models with 115 CFM (per fan) fan speed for flush and recessed mounting. Models are complete with fan(s) protected by nickel chrome plated wire grille backed with a steel wire mesh screen assembled to a 16-gauge CRS panel. Panels mount easily to all E.I.A. standard mounting rails and are stocked in standard black finish. Fans are factory-mounted for exhaust cooling and may be rotated easily, in the field, for intake cooling. A 6' line cord is included.

Specifications

Model	EFP3-1	EFP3-2
Height	3RU, 5¼" (133.4mm)	3RU, 5¼" (133.4mm)
Width	19" (482.6mm)	19" (482.6mm)
Depth	2½" (53.9mm)	2½" (53.9mm)
SPL @ 3'	56.2dB	58.2dB
Voltage	115VAC	115VAC
HZ	60Hz	60Hz
CFM	115 CFM	230 CFM
Current Draw	.13 Amps	.26 Amps
Number of Fans	1	2

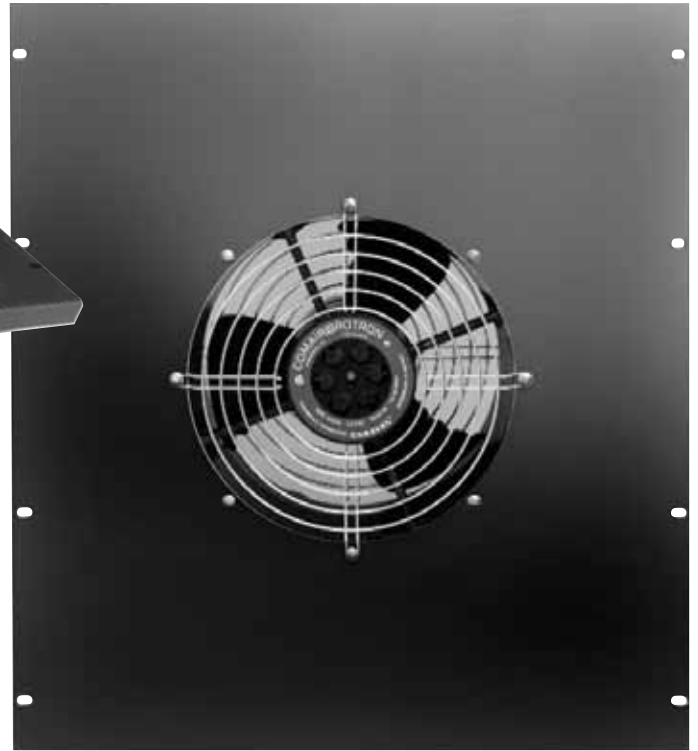


EFT Series

EFT top-mounting fan panels are powerful cooling assemblies which provide quiet and effective heat dissipation for equipment mounted in 25½" & 30" depth 700 Series & FMA Series cabinets. Space-efficient units require no vertical panel space and deliver 550 CFM with a 4" (100mm) diameter tube axial propeller fan. The EFT Series operates at 115VAC, 60Hz and includes a continuous-duty, shaded-pole type motor, sealed ball bearings, and chrome plated finger guards. Assemblies include an automatic reset thermal protector and 6' line cord with molded plug mounted to a 16-gauge CRS panel finished in standard black.

Specifications

Model	EFT-25	EFT-30	EFT-36	EFT6-4
CFM	550 CFM	550 CFM	550 CFM	460 CFM
SPL @ 3'	55dB	55dB	55dB	60.2dB
Voltage	115VAC	115VAC	115VAC	115VAC
Hz	60Hz	60Hz	60Hz	60Hz
Width	19" (483mm)	19" (483mm)	19" (483mm)	19" (483mm)
Depth	21" (533mm)	24½" (622mm)	31½" (799mm)	6RU, 10½" (267mm)
Projection	3½" (89mm)	3½" (89mm)	3½" (89mm)	1" (In Surface Mount Applications)

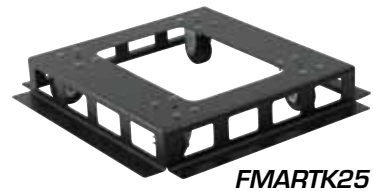


EFT-25

Roller Truck & Caster Kit Accessories

FMARTK

Heavy-duty, welded 12-gauge CRS roller truck provides mobility for FMA Series racks. Unit is designed for single-bay use and has one pair rigid and one pair locking 4" swivel casters. Recessed mounting plate does not add unneeded height to rack installations. Models available for 25", and 36" deep FMA racks. Finish is black.



FMARTK25

RCK-700

Heavy-duty, 2½" diameter non-locking swivel casters have a load-bearing capacity of 255lbs each. Units are zinc-plated and include black, hard-tread wheels. Model accommodates 700 Series cabinets only. Sold in groups of four.



RCK-700

CT1020-962

Heavy-duty, welded 16-gauge CRS roller truck provides mobility for 19" width x 18½" depth cabinets. Unit is designed for single-bay use and has one pair rigid and one pair locking 3" swivel casters. Model accommodates 18½" depth 100 Series & 200 Series. Finish is black.



CT1020-962

RCK-18

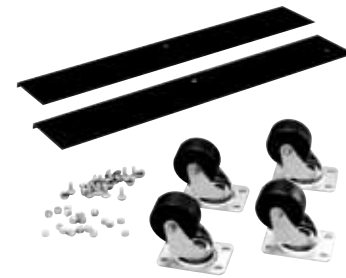
Caster kit provides for caster installation onto 19" width x 18½" depth cabinets in single or multi-bay installations. Kit includes four, non-locking, 2½" diameter casters and two, easy-to-install, 18½" length mounting / supporting brackets. Model accommodates the 18½" depth 100 Series & 200 Series cabinets.

RCK-25

Caster kit provides for caster installation onto 19" width x 25½" depth cabinets in single or multi-bay installations. Kit includes four, non-locking, 2½" diameter casters and two, easy-to-install, 25" length mounting / supporting brackets. Model accommodates the 25½" depth 200 Series and 500 Series cabinets.

RCK-30

Caster kit provides for caster installation onto 19" width x 30" depth cabinets in single or multi-bay installations. Kit includes four, non-locking, 2½" diameter casters and two, easy-to-install, 30" length mounting / supporting brackets. Model accommodates the 30" depth 200 and 500 Series cabinets.



RCK-18 / RCK-25 / RCK-30

Specifications

Model	FMARTK25	FMARTK36	RCK-700	CT1020-962	RCK-18	RCK-25	RCK-30
Height	4" (102mm)	4" (102mm)	2½" (67mm)	4" (102mm)	3¾" (95mm)	3¾" (95mm)	3¾" (95mm)
Locking	Yes (1 Pair)	Yes (1 Pair)	No	Yes (1 Pair)	No	No	No
Mounts	FMA35-25SA FMA35-25G FMA44-25SA FMA44-25G	FMA44-36G	735-25 740-25 744-25 744-30 744-36	121-18 124-18 135-18 140-18 144-18 221-18 224-18 235-18 240-18 244-18	121-18 124-18 135-18 140-18 144-18 221-18 224-18 235-18 240-18 244-18	221-25 224-25 235-25 240-25 244-25 535-25 540-25 544-25	221-30 224-30 235-30 240-30 244-30 544-30

Additional Rack Rails / Bus Bars

FMA-RR Series

For use with the FMA Series Racks.

Mounting rails are comprised of 12-gauge CRS and are tapped 10-32 on E.I.A. spacing $5/8"$ - $1/2"$ continuous centers and finished in black. Rails are sold in pairs and include hardware. FMA Series cabinets come with two pairs of rails. Order extra rails for additional equipment support as needed.

Specifications

Model	FMA-RR35	FMA-RR44
Height	35RU 61 $3/8"$ (1559mm)	44RU 77 $1/8"$ (1960mm)

RR Series

For use with 200, 500, 700, & RX Series Racks.

Mounting rails are comprised of 11-gauge CRS and are tapped 10-32 on E.I.A. spacing $5/8"$ - $1/2"$ continuous centers and finished in black. Rails are sold in pairs and include hardware. All cabinets come with front rails. Order extra rails to provide additional equipment support.

Specifications

Model	RR14	RR21	RR24	RR35	RR40	RR44
Height	14RU 25 $5/8"$ (626mm)	21RU 36 $3/8"$ (934mm)	24RU 42 $1/8"$ (1070mm)	35RU 61 $3/8"$ (1559mm)	40RU 70 $1/8"$ (1781mm)	44RU 77 $1/8"$ (1960mm)

RR3 Series

For use with the 300 Series Racks.

Mounting rails are comprised of 11-gauge CRS and are tapped 10-32 on E.I.A. spacing $5/8"$ - $1/2"$ continuous centers and finished in black. Rails are sold in pairs and include hardware. All cabinets come with front rails. Order extra rails to provide additional equipment support.

Specifications

Model	RR310	RR312	RR316	RR324	RR335
Height	10RU 17.5" (445mm)	12RU 21" (533mm)	16RU 28" (711mm)	24RU 42" (1070mm)	35RU 61 $1/4"$ (1556mm)

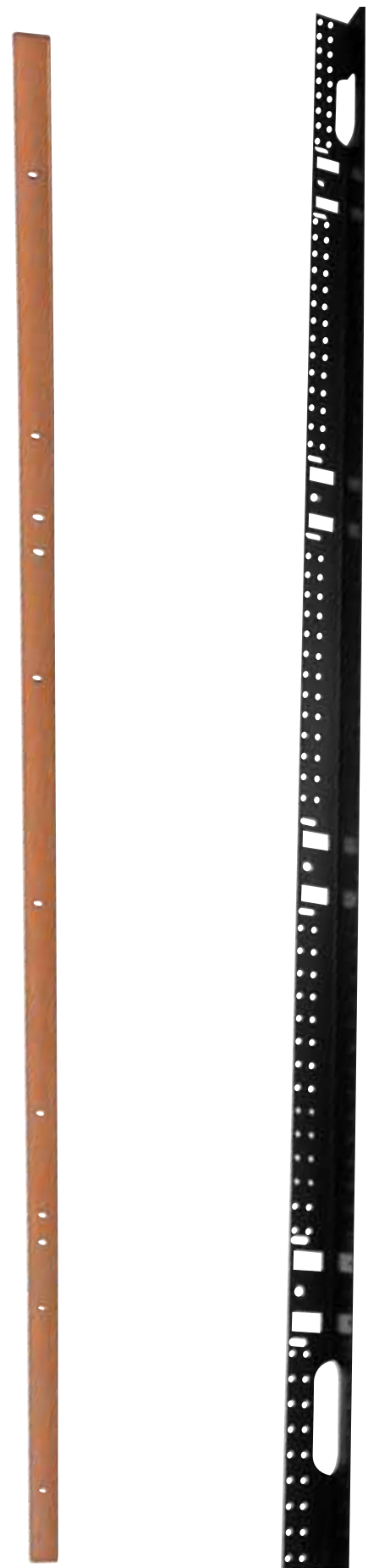
Copper Bus Bar

BBG Series

Functional copper strips are available in six lengths to provide a convenient method of grounding for rack mounted equipment. Bars mount easily to cabinet structure with $1/4"$ -20 hardware (provided). Each bar is $1/4"$ Deep x $3/4"$ wide.

Specifications

Model	BBG13	BBG21	BBG24	BBG35	BBG40	BBG44
Material	Copper	Copper	Copper	Copper	Copper	Copper
Height	13RU 22 $3/4"$ (578mm)	21RU 36 $3/4"$ (933mm)	24RU 42" (1067mm)	35RU 61 $1/4"$ (1556mm)	40RU 70" (1778mm)	44RU 77" (1956mm)
Weight	1.75lbs (.8kg)	2.75lbs (1.25kg)	3.25lbs (1.5kg)	4.5lbs (2kg)	5.25lbs (2.4kg)	5.75lbs (2.6kg)



BBG

FMA-RR44

Atlas Rack Drawers / Storage

SD Series - Recessed Storage Drawers

Perfect for storage of discs, microphones, tools, and accessory items in fixed or portable racks. 16-gauge CRS drawers mount into 19" cabinets and ship complete with high impact plastic pull handles and steel ball bearing rollers. Drawer hanger assembly is inverted to prevent contents from spilling if cabinet is tilted. Slots are included in the hanger assembly to allow use of SH Series rear support brackets for additional stability in mobile applications. Optional SD-LOCK may be installed for additional security (discrete hole plug fills cut-out if lock is not required). Overall drawer depth is 14¾". Models available in 2, 3, 4, & 6RU heights.



SD2-14

Specifications

Model	SD2-14	SD3-14	SD4-14	SD6-14
Height	2RU, 3½" (89mm)	3RU, 5¼" (183mm)	4RU, 7" (178mm)	6RU, 10½" (267mm)
Inner Width	16⅝" (414mm)	16⅝" (414mm)	16⅝" (414mm)	16⅝" (414mm)
Depth	14⅞" (366mm)	14⅞" (366mm)	14⅞" (366mm)	14⅞" (366mm)
Color	Ebony Black	Ebony Black	Ebony Black	Ebony Black



CD4

CD4 - Media Storage Shelves

Convenient CD media storage shelf features slot dividers for increased strength. Construction is of 16-gauge cold rolled steel finished in black textured electrostatic powder coat (-052). Unit holds 40 standard CD jewel cases.

Specifications

Height	3RU, 5½" (140mm)
Width	19" (483mm)
Depth	5⅝" (135mm)
Color	Ebony Black
Holds	40 Standard Jewel Case CD Cases



PCD3-16-052

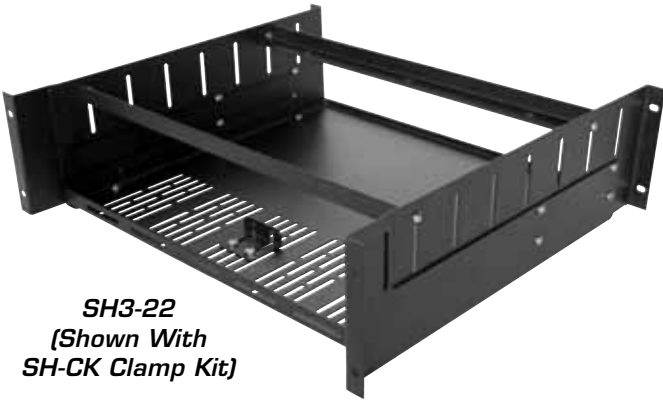
PCD3-16-052 - Pencil Drawer

Dual-function sliding pencil drawer features a handy storage area covered by a lift-up writing surface. Unit is constructed of 18-gauge CRS and mounts in most 19" racks or cabinets. Hinged writing surface is 16⅝" wide particle board covered with wood grain laminate. Drawer slides include hold-in detents and 100lbs (45kg) rated steel ball bearings for smooth extension and easy content accessibility.

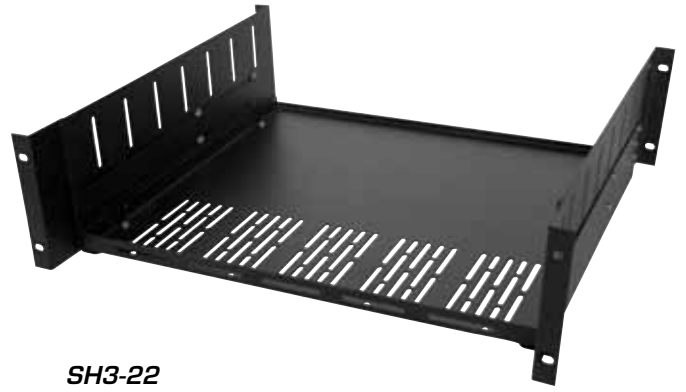
Specifications

Height	2RU, 3½" (89mm)
Drawer Width	16⅝" (414mm)
Depth	16⅝" (417mm)
Color	Ebony Black

Atlas Rack Shelves



SH3-22
(Shown With
SH-CK Clamp Kit)



SH3-22

SH Series - Clamping Shelves

Clamping rack shelf systems are designed specifically to secure equipment that is not easily rack mounted, such as VCRs and "prosumer" A/V surround sound receivers into any Atlas Sound wall mount cabinet or vertical rack. SH Series shelves offer a sturdy, side, rear, and top support to ensure that once the equipment is placed on the shelf, it's locked in for the duration. Three Shelves In One – Modular design allows you to choose the right shelf system for each job. The formed construction 16-gauge shelves are offered in three EIA compliant heights (2 RU, 3 RU, and 4 RU), 15" or 22" depths, and come equipped with slots on the sides and bottom for optimum ventilation. For applications where "clamping" brackets are required, specify model SH-CK. The rubber-lined clamps securely hold components from the top. Adjustable "L" brackets are included to provide a secure fit and a component "stop" from the rear. For applications where rear rack rail support is necessary (with or without clamping requirements), add model SHRSB bracket kit.

Specifications

Model	SH2-15	SH3-15	SH4-15	SH2-22	SH3-22	SH4-22
Height	2RU 3½" (89mm)	3RU 5¼" (133mm)	4RU 7" (178mm)	2RU 3½" (89mm)	3RU 5¼" (133mm)	4RU 7" (178mm)
Depth	15" (381mm)	15" (381mm)	15" (381mm)	22" (559mm)	22" (559mm)	22" (559mm)
Width	19" (483mm)	19" (483mm)	19" (483mm)	19" (483mm)	19" (483mm)	19" (483mm)

SH Series Accessories

- SHRSB2 2RU Rear Rack Rail Support Bracket for all 2RU Models.
- SHRSB3 3RU Rear Rack Rail Support Bracket for all 3RU Models.
- SHRSB4 4RU Rear Rack Rail Support Bracket for all 4RU Models.
- SH-CK Optional Equipment Clamping Kit. Fits all SH Series Models.



SH1-10



VTD1-16

Vented One-Piece All-Purpose Shelf

Versatile formed shelving is 16-gauge CRS and includes mounting holes on E.I.A. standard spacing. Finished in black textured finish. Unit is secured using a single pair of front mounting rails. No assembly is required.

Sliding Shelf / Tray for Cabinets with Front & Rear Rails

Versatile shelf provides easy access to keyboards and control equipment. Solid bearing slides extend to a full 17" (432mm) outside of cabinet rails with lock-out protection. Dual-purpose design may be used right-side up as a shelf or upside-down as a tray with a protective lip according to desired application. Model mounts 19" cabinets (18½" to 25½" deep) equipped with front and rear mounting rails. Load bearing capacity is 85lbs (38.5kg). Constructed of 16-gauge CRS and finished in standard black.

Specifications

Model	SH1-10
Height	1RU, 1¾" (44mm)
Width	19" (483mm)
Depth	10" (254mm)
Color	Ebony Black

Specifications

Model	VTD1-16
Height	1RU, 1¾" (44mm)
Width	16¾" (426mm)

Universal Monitor Rack Mount



ASUMRM9
(Monitor Not
Included)

Universal Monitor Rack Mount Kit

The ASUMRM9 is designed for mounting flat panel displays in Atlas Racks. This 9RU kit is perfect for providing visual feedback for Atlas Sound's ControlKom and Varizone mass communication systems or other video surveillance systems in need of visual monitoring at the rack. It accommodates any 4:3 display up to 19" diagonally in length, and features a black powder coat finish to match the look of the racks themselves.

Specifications

Height	9RU, 15 $\frac{3}{4}$ " (400mm)
Depth	4" (102mm)
Shipping Weight	7.5 lbs
Color	Black



Wall Mount Shelving

Wall-Mount Shelf / Enclosure System

WME150. Extremely versatile six-piece Wall-Mount Shelf / Enclosure System unit is easy to assemble in a variety of configurations (in utility closets and anywhere space is at a premium). The six piece set is shipped flat and can be assembled with common tools. In the two shelf configuration with the supporting side panels, the wall-mount shelf can be used for a wide variety of equipment with a locking door or top. It can be configured as a locking enclosure with two shelves or as a two-shelf-open enclosure. Construction is 16-gauge CRS and finished in Neutral White (-592).

AS-120 / AS-140. Sturdy shelves with wire access provide for convenient wall-mounting of amplifiers or electronic equipment. AS-120 includes keyhole mounting slots. Versatile AS-140 may be mounted so equipment is installed between side supports or inverted "bookshelf-style" for open equipment placement. Construction is 16-gauge CRS. Finished in Neutral White (-592).

Specifications

Model	WME150	AS-120-592	AS-140-592
Height	16½" (419mm)	10" (254mm)	12¾" (314mm)
Width	21" (533mm)	20" (508mm)	20" (508mm)
Depth	16½" (419mm)	12½" (318mm)	17" (432mm)
Color	Neutral White	Neutral White	Neutral White
Weight Capacity	150lbs	100lbs	150lbs

Wall Mount System

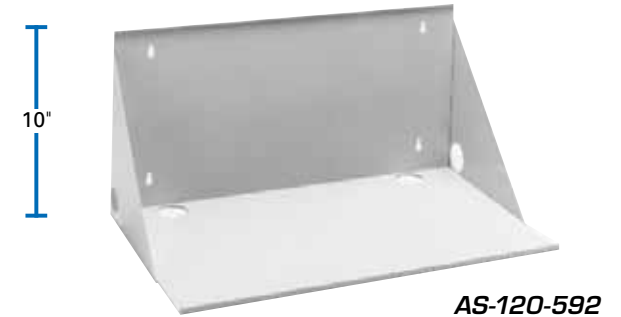
The AWW Series is a cost effective wall mount system which allows low profile mounting of Ethernet switches, mixer amplifiers or other rack mount electronics. These bracket style hardware kits are offered in 2, 3, & 4RU configurations and create flush mounting options for equipment – vertically to walls or under desks and work spaces- when space and component needs do not facilitate the need for a full rack.

Specifications

Model	AWW2	AWW3	AWW4
Depth	2RU	3RU	4RU
Touch-Up Paint	(4.5 oz Spray)		
SP962	Midnight Black		
SP052	Ebony Black		

Rack Screws / Accessories

RSCW100	100 Piece Rack 10-32 x ¾" Screw Bag w/ Captive Plastic Washer
RSCW500	500 Piece Rack 10-32 x ¾" Screw Bag w/ Captive Plastic Washer
HK-40	40 Chrome Rack 10-32 x 1" Screw Bag with Captive Washer
HK-40CN	40 Piece Clip on Cage Nuts



MVXA-2016



MVXA-2016



MVXA-2016 (Back)

Multi-Channel Amplified Monitor Panel

Atlas Sound MVXA monitor panel is an active device for aural and visual monitoring, for sixteen different speaker and line level circuits in any combination. Each input is individually selectable using an easy-to-position jumper. The MVXA-2016 offers superior performance with easy visual assessment in an ultra-thin single rack space chassis. Twelve segment LED bar-graphs provide 33dB of resolution and monitor any combination of line level (1V reference) —25V RMS, 70.7V RMS, and 100V RMS simultaneously. The bottom ten LEDs are green and have a VU ballistics response. The two red LEDs at the top of the bar graph are peak to provide instantaneous level indication. LED meter sensitivity is -30dB to +30 dB. The MVXA-2016 offers the capability to aurally monitor individual channels via an internal speaker, headphone jack, line level output to external amplifier or 3 watt high-fidelity output to an external speaker. Panel functions include a channel selection knob, channel audible monitoring level control and headphone jacks. External power supply is UL Listed. Unit weight is 7lbs (3.2kg).

Specifications

Height	1RU, 1¾" (34mm)
Depth	13½" (335mm)
Width	19" (482mm)
Supply Voltage	15 VAC Power Supply (included)
Channels	16 channels
Total Harmonic Dist.	< 1%
Floor Noise	76dB
Internal Speaker Output	3 Watts / 8Ω
Power Consumption	6 Watts
Frequency Response	35Hz - 20kHz
Channel Turn-On Delay	1 Second
Inputs Avail. "0dB" Ref:	Line Level (1V), 25V, 70.7V, 100V
Audio Outputs	3 Watt Amplifier (5 Watt Peak) Into: Internal Speaker, Headphone Jack, External Speaker Output (4Ω or 8Ω), and Line Level Output.
LED Display Accuracy	1.5dB
LED Display Sensitivity	-30dB to +3dB
LED Display Monitoring Range	0.0316 VRMS (-30dBV) to 141 VRMS
LED Display Dynamics	Bottom 10: Green, VU Response (-30dB – -2dB) Top 2: Red, Peak Response (0dB – +3dB)

MVX-193



MVX-193

Monitor Panel

Designed for economical multi-channel system applications that require quality aural and visual monitoring. Models are available with choice of loudspeaker and VU meter for 25V or 70.7V systems. To enable monitoring of up to five program channels, all units include a 6-position, double-pole switch with a positive "Off" position and a volume control for adjusting the level of the monitor loudspeaker. Each monitored circuit connects to two rear-mounted screw terminals. Front panels are 16-gauge CRS, finished in black. Potentiometers and channel selectors are rear mounted with white nomenclature. VU meters are of moving coil design and include type "A" meter scale and protective thermoplastic cover.

Specifications

Height	2RU, 3½" (89mm)
Depth	4" (102mm)
Width	19" (483mm)
Channels	5 Channels
Loudspeaker Diameter	3" (76mm)
VU Meter	Yes
Meter Adjust	Yes

MMK Series

MMK Series Rack Mount Monitors

- Meets EIA310c and IEC-3 Specifications
- Built in Keyboard, Touch Pad and Monitor
- Heavy Duty Steel Construction
- Anti-Glare Tempered Glass for Added Protection for the LCD Screen
- Built-In Side Railing for Easy Installation
- Built-In Rail Self Locking Device
- 105 Character US Keyboard
- Power Supply: 100VAC / 240VAC Auto Switch

With rack space becoming more and more precious, network administrators are always looking for solutions that will save them any additional RUs. The MMK Series are a 1RU drawer design with an integrated LCD monitor, keyboard, and mouse. Features include flip-up design, adjustable brackets and built in LCD OSD to provide effective assistance for network administrators controlling single or multiple PCs.



MMK17-RM

Specifications

Model	MMK15-RM	MMK17-RM
Display Size	15" (381mm)	17" (432mm)
Panel Type	Active Matrix TFT LCD	Active Matrix TFT LCD
Max Resolution	1024 x 768 (XGA)	1280 x 1024 (SXGA)
System Cables	VGA + PS/2 (x2), VGA + USB (x1)	VGA + PS/2 (x2), VGA + USB (x1)
Power Consumption	16 Watts, 10.41W for Panel	25 Watts, 19.05W for Panel
Net Weight	26.46 lbs (12Kg)	28.7 lbs (13.0Kg)
Gross Weight	43.0 lbs (19.5Kg)	45.2 lbs (20.5Kg)
Keyboard / Mouse	106 key PS/2 Keyboard with Touch Pad	106 key PS/2 Keyboard with Touch Pad
Power Source	100VAC ~ 240VAC Input	100VAC ~ 240VAC Input
Multi Platform Support	PS/2 and USB	PS/2 and USB
Height	1.7" (44mm)	1.7" (44mm)
Width	18.5" (470.1mm)	18.5" (470.1mm)
Depth	17.6" (447.5mm)	17.6" (447.5mm)
Temperature	Operate: 32°F ~ 122°F (0°C ~ 50°C)	Operate: 32°F ~ 122°F (0°C ~ 50°C)
Certification	CE / FCC, UL / CUL / C-Tick, GOST	CE / FCC, UL / CUL / C-Tick, GOST



MMK-DB10



MMK-KVM8

MMK Series Rack Mount Monitor/Keyboard Accessories

The MMK15-RM and MMK17-RM consoles connect to attached servers and computers through the MMK-KVM8 8-port modular combo-free KVM switch. It has complete keyboard and mouse emulation for simultaneous PC boot up process and supports MS Windows, Netware, Unix, and Linux systems or iMac, Power Mac and Sun Micro Systems via USB port. No software is required and the KVM switch features On Screen Display (OSD) menu, password security, hot key control, and auto scan control.

The MMK-KVM8 also includes one optional IP-based remote console port for use with MMK-IPM IP interface module to control one or several computers locally at the server site or remotely via the Internet using a standard browser. The MMK-IPM switch redirects local keyboard, mouse and video data to a remote administration console to securely gain BIOS level access to systems for maintenance, support, or failure recovery online. Communication is encryption with SSL for added security.

Connection is made from MMK-KVM8 to servers and computers with MMK-DB10 cable. The MMK-DB10 cable connects via VGA monitor port and single USB connector for both keyboard and mouse data as a standard HID (Human Interface Device) with no extra driver needed. The MMK-DB10 is 3m in length.

MMK Series Rack Accessories

- MMK-KVM8** 8-port Modular Combo-Free KVM Switch
- MMK-IPM** IP Interface Module Switch
- MMK-DB10** 3 Meter HDDB-15 to VGA + USB Cable

Miscellaneous

Leg Levelers

LL2

Heavy-duty leg levelers provide stabilization on uneven surfaces for FMA, 700, & 500 Series cabinets. 4-piece sets are steel construction with heavy duty rubber cushion with chrome cap and adjust with standard wrenches.

Specifications

Finish	Chrome
Mounts	FMA, 700, & 500 Series

Horizontal & Vertical Lacing Bars

LR4

Trapezoidal steel lacing bars with 4" offset provide clean lacing in close proximity to rack mount equipment I/O. Sold in a 10 piece bag.

LRS

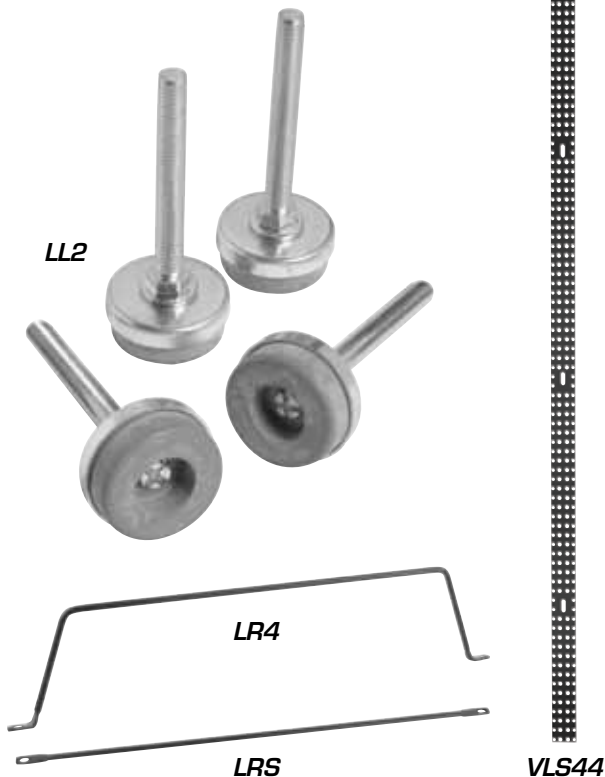
Steel lacing bars are a handy 19" EIA horizontal accessory perfect for assisting rack fabricators in executing clean wiring runs inside Atlas Sound racks & cabinets. Sold in a 10 piece bag.

VLS44

Vertical lace bar provides a vertical lace path inside the rack to assure clean wire management. 44RU (77") unit may be cut for use in shorter Atlas Sound racks. Mounting points are provided for attachment to internal rack hat sections. Unit is 2" wide x 1⁵/₁₆" thick (50.8mm x 24mm).

Specifications

Model	LR4	LRS	VLS44
Color	Black	Black	Black
Sold As	10 Piece	10 Piece	1 Piece



Rack Work Light



RWL2

Portable lamp with wide light diffusion provides illumination of interior rack spaces. Supplied with a "non-mar" magnetic mount, 3-wire grounded AC outlet, On/Off switch, high impact clear polycarbonate lens, two 10 watt incandescent lamps (one for replacement) and 6' power cord. Assembly is 18 and 22-gauge CRS. Standard finish is flat black epoxy with galvanized head.

Specifications

Voltage	115VAC
Cord Length	6'
Light Bulb	10 Watts
Mount	Non-Mar Magnetic Mount

Fan Thermostat

CFT-125

Unit provides ventilation control of fans and other cooling equipment. Thermostat includes an automatic shut-off feature and a special 3-wire extension cord with series plug for automatic operation. Use the thermostat knob to make temperature adjustments at dial settings from 40°F to 90°F. The CFT-125 is UL and CSA-listed.

Specifications

Height	5½" (140mm)
Width	1½" (38mm)
Depth	2½" (64mm)
UL Listed	UL873





AP Vertical Power Strips

- Multiple Outlet Spacing That Accepts Most Power Supply Sizes and Pin Orientation to Achieve Maximum Use of AC Outlets
- Two AC Outlet Orientations: "In Line" and "90 Degree to Chassis"
- 15A or 20A Current Load Models
- Lighted Main Power Switch
- Circuit Breaker Protection
- RFI Filtering
- AC Protect Indicator
- UI, cUI Listed



Outlet Orientations: "In Line" and "90 Degree to Chassis"

AP-2410-20S



AP-4820-15S



AP-7230-20S



AC Power Distribution Sequence

- Multiple Outlet Spacing That Accepts Most Power Supply Sizes and Pin Orientation to Achieve Maximum Use of AC Outlets
- Two AC Outlet Orientations: "In Line" and "90 Degree to Chassis"
- 15A or 20A Current Load Models
- Lighted Main Power Switch
- Circuit Breaker Protection
- RFI Filtering
- AC Protect Indicator
- UI, cUI Listed



AC Power Distribution and Conditioning

AP-C15D

- Multiple Outlet Spacing That Accepts Most Power Supply Sizes and Pin Orientation
- 10 Total Outlets Are Provided
- 8 Rear Panel Outlets
- 2 Front Panel and 1 Rear Panel Unswitched Convenience Outlets
- Radio Frequency Interference Noise Filtering
- Electromagnetic Interference Filtering
- Dual Clamping Spike & Surge Suppression, DCS Circuitry
- Front Panel Digital AC Mains Voltmeter
- LED Indication of Reversed "Live" and "Neutral" Wiring
- Abnormal AC Line Voltage Indicator for Voltages Between 101V-107V or 128V-132V
- Extreme Voltage Shutdown (EVS) Below 101V or Above 132V AC Line
- Circuit Breaker Protection @ 15A Indicated by "Breaker Open" Indicator
- Front Mounted Pull-out LED Light With 2-Position Dimmer
- Rear Mounted XLR Connector for 12VDC LED Lamp (AP-GNL18)



AP-C15D



AP-C15D Back

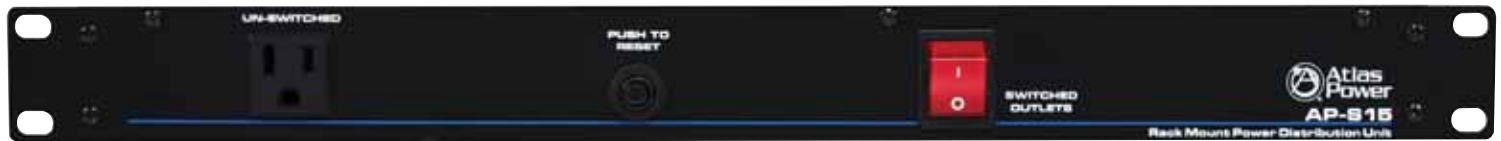


AP-S15L & AP-S15

- 9 Total Outlets
- 8 Rear Panel Switched Outlets and 1 Front Panel Unswitched Outlet (AP-S15L)
- 6 Rear Panel Switched Outlets, 2 Rear Panel Unswitched Outlets, and 1 Front Panel Unswitched Outlet (AP-S15)
- Radio Frequency Interference Noise Filtering
- Electromagnetic Interference Filtering
- Circuit Breaker Protection @ 15A
- Spike Suppression Up to 6000V
- Front Mounted Pull Out LED (AP-S15L)
- Rear Mounted XLR Connector for 12VDC LED Lamp (AP-S15L)
- AC Fault Indicator (AP-S15L)

AP-S20

- 9 Total Outlets
- 7 Rear Panel Switched Outlets
- 1 Rear Panel Unswitched Outlet
- 1 Front Panel Unswitched Convenience Outlet
- Radio Frequency Interference Noise Filtering
- Circuit Breaker Protection @ 20A
- Spike Suppression Up to 6000V
- AC Protect Active Indicator



AP-S15



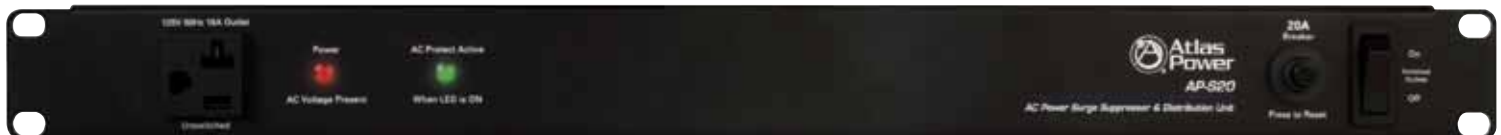
AP-S15 Back



AP-S15L



AP-S15L Back



AP-S20



AP-S20 Back



Atlas Sound



**Atlas
Sound**

1601 Jack McKay Blvd., Ennis, TX 75119 U.S.A. 800.876.3333

© 2012 Atlas Sound LP. All Rights Reserved. Atlas Sound and Strategy Series® are registered trademarks of Atlas Sound LP. All other trademarks are the property of their respective owners.



**ISO9001
-CERTIFIED-**

ATLASSOUND.COM

ATS004301 RevA 05/12 484140