



## DESCRIPTION

The IXGW-TGW is a mobile app and cellular gateway adaptor for the IX | IXG Series IP multi-tenant system. Up to 99 gateway adaptors are allowed per system. This adaptor allows calls to reach cloud-based mobile apps and phone numbers, giving users the ability to speak to visitors remotely and release the door.

Once activated, the included SIM card provides an LTE connection. The LTE connection allows for a single phone number to be called per tenant, and can be used as the primary network connection, or as a backup failsafe.

The IXG mobile app is compatible with iOS® and Android® mobile devices. Up to eight apps can be registered per tenant station.

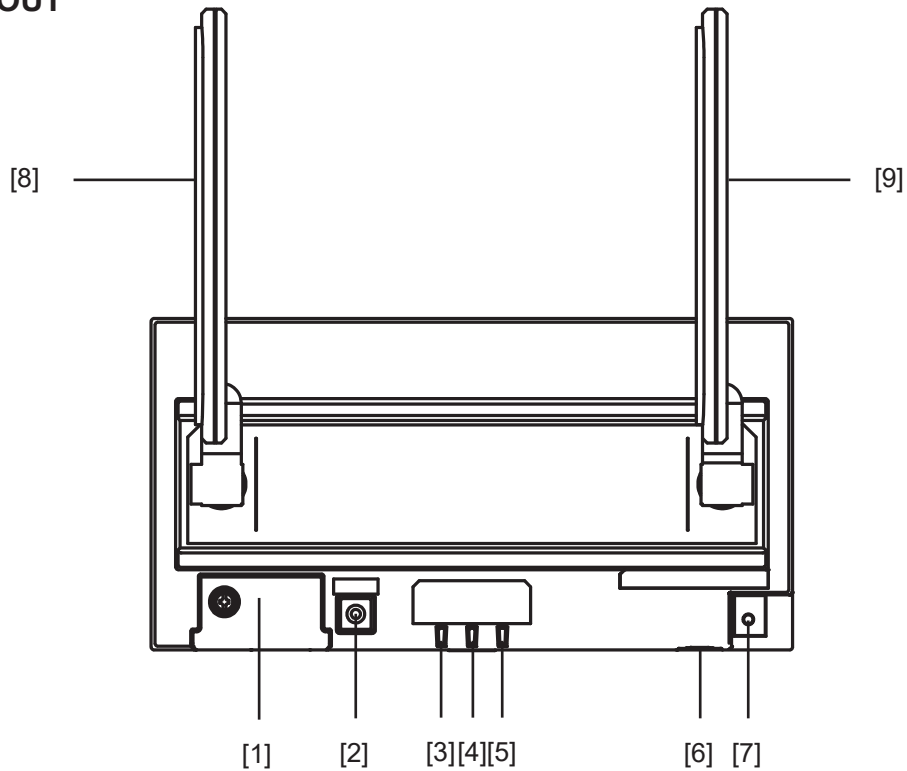
## FEATURES

- PoE (IEEE 802.3af class 0)
- DIN rail mountable
- Eight simultaneous calls per adaptor
- Supports up to 9,999 IXG mobile apps
- Optional 4G LTE data connection
- Allows telephone calls from door and entrance stations

# IXGW-GW

## Mobile App and Cellular Gateway Adaptor

### FEATURE CALL-OUT



### FEATURE CALL-OUT DEFINITIONS

- [1] Nano SIM card slot
- [2] Reset button
- [3] Signal strength indicator (green)
- [4] Wireless indicator (green)
- [5] Status indicator (orange/green)
- [6] LAN port
- [7] Wireless off button
- [8] Left antenna
- [9] Right antenna

### SPECIFICATIONS

<b>Power Source:</b>	PoE
<b>Consumption:</b>	2.8W standby, 5.8W max
<b>LAN:</b>	Ethernet (10BASE-T, 100BASE-TX)
<b>Wireless Network:</b>	LTE, WCDMA
<b>Included SIM card:</b>	AT&T™ nano SIM
<b>Packet delivery:</b>	Unicast, Multicast
<b>Protocol:</b>	IPv4/v6, TCP, UDP, SIP, HTTPS, RTP, RTCP, SRTP, SRTCP, IGMP, MLD, SFTP, DHCP, NTP, DNS, MQTT, ICE, DTLS, SDP
<b>Channel:</b>	Intercom: 8 Phone: 1
<b>Encryption:</b>	TLS 1.2, IEEE802.1X
<b>Operating Temp:</b>	14° ~ 122°F (-10° ~ 50°C)
<b>Dimensions (main):</b>	4-1/4" H x 8-1/4" W x 2-3/8" D
<b>Antenna Length:</b>	5-9/16"