

Overview

The MSA-RMK-07 Modero S Series® Rack Mount Kit (FG2265-15) is an optional accessory for the MSD-701 7" Modero S Series Wall/Flush Mount Touch Panel (FIG. 1). The kit allows the touch panel to be mounted directly on an equipment rack, and includes a rack mount frame, screws and washers.

WARNING: The maximum recommended torque to be used on the Back Box installation screws is 5 IN-LB [56 N-CM]. Applying excessive torque while tightening the screws, such as with powered screwdrivers, can strip out the screw holes or damage the plastic back box. .

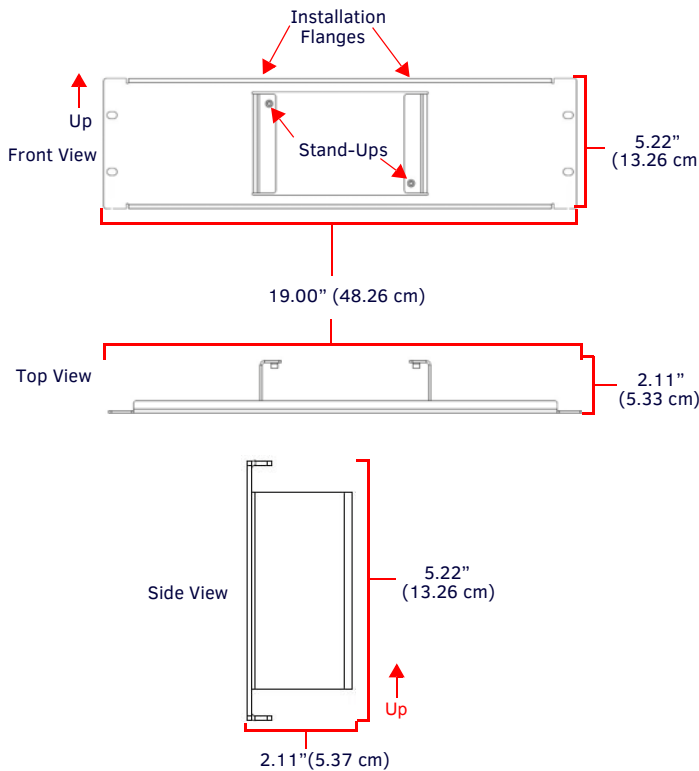


FIG. 1 MSA-RMK-07

Product Specifications

MSA-RMK-07 (FG2265-15) SPECIFICATIONS	
Dimensions (HWD):	5.22" x 19.00" x 2.10" (13.26 cm x 48.26 cm x 5.33 cm)
Weight:	2.2 lbs (1 kg)
Included Accessories:	<ul style="list-style-type: none"> • Screws (2), #8-32 X .375 LG, PPH (80-0150-01) • Screws (4), #10-32 X .625, PH.TRUSS, BLK (80-0186) • Washers (4), #10, BLACK NYLON (80-0342)

Installation of the MSA-RMK-07

The MSA-RMK-07 offers a stable installation mount for the MSD-701 through the panel's Back Box.

NOTE: All doors, covers, and other obstacles preventing installation of the Rack Mount Kit should be removed before installation is attempted. Due to the size of the Modero S Series panel, it may not be possible to close racks that contain a rack door once installation is complete.

To install the MSA-RMK-07:

1. Secure the Rack Mount Panel to the rack with #10-23 screws and washers. Make sure that the installation flanges face away from the front of the rack (FIG. 2).
2. Insert the Back Box into the Rack Mount Panel, making sure that the Back Box is in the correct orientation. The stand-ups on the installation flanges will pass through the Back Box and help anchor it in place.
3. Use the #8-32 screws to attach the Back Box to the stand-ups. Note that the Rack Mount Panel has only two stand-ups, located opposite each other on the Installation flanges.

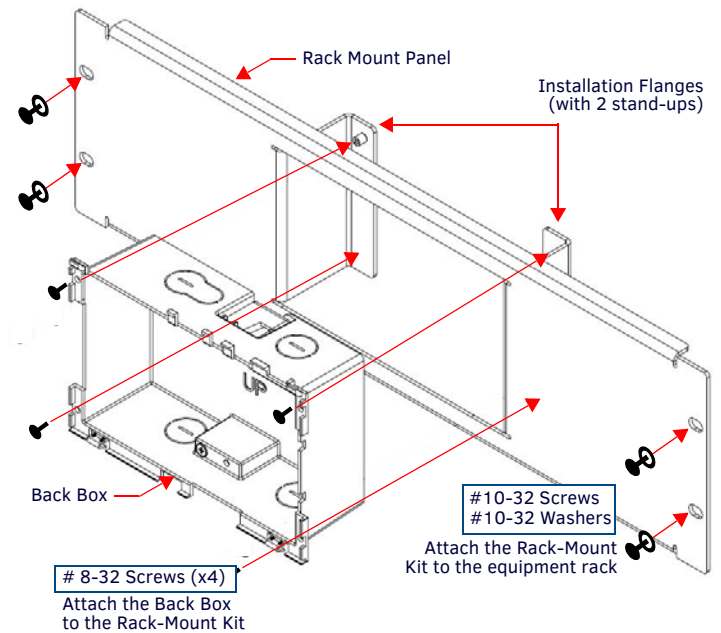


FIG. 2 INSTALLATION OF THE BACK BOX INTO THE MSA-RMK-07, FRONT VIEW

4. With the Back Box anchored in the Rack Mount Panel (FIG. 3), you may now install the MSD-701 into the Back Box.

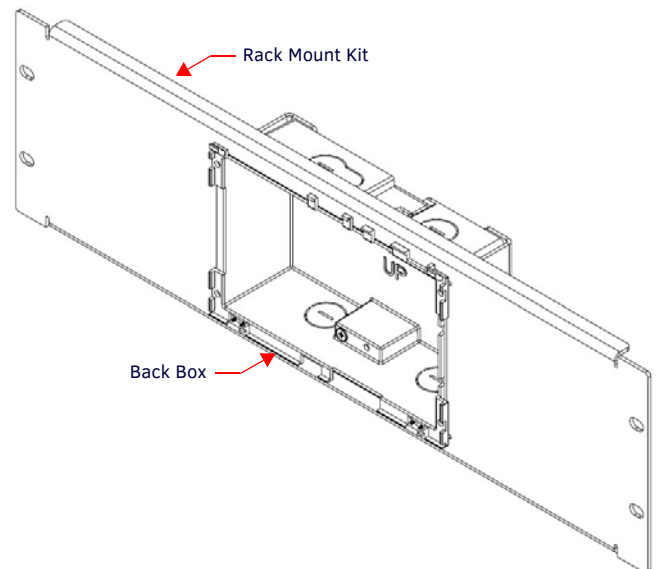


FIG. 3 FINAL ASSEMBLY OF THE MSA-RMK-07 WITH BACK BOX

NOTE: For more information on installing the MSD-701 into its back box, please refer to the MXD/T-700 Operation Reference Guide, available from www.amx.com.

A Note About Wall and Rack Installation

Some products are installed in areas of differing temperature and cooling methodologies. These include products installed in walls, racks, cabinets, etc. Those areas may have different temperatures and/or cooling approaches that must be taken into consideration to maintain the product within the specified operating temperature.

FIG. 4 shows an AMX device installed in a wall with a filled volume (such as with insulation or concrete), as well as with a closed volume (such as between studs in an otherwise finished wall). The diagram shows how heat generated by the device or other devices may have no way to escape, and may build up to levels that may affect device operation.

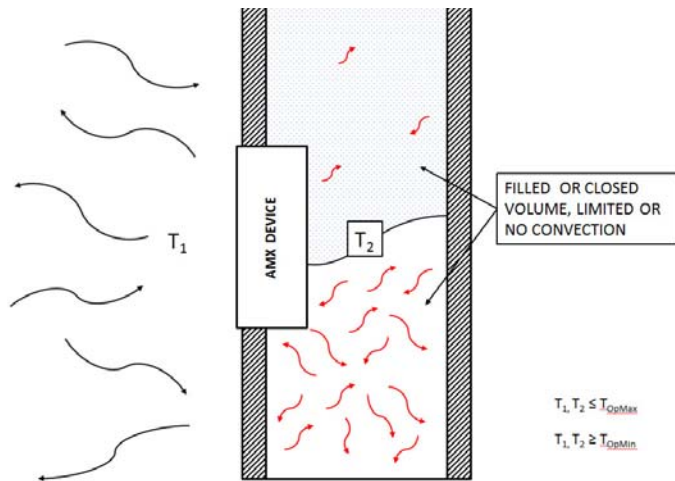


FIG. 4 HEAT CONVECTION IN FILLED OR CLOSED VOLUME, LIMITED OR NO CONVECTION

In FIG. 5, the diagram displays an AMX device in a typical rack mounting, with full air circulation around the front and back of the device. In this case, the main concern is with heat building up between components, possibly to levels that may affect device operation.

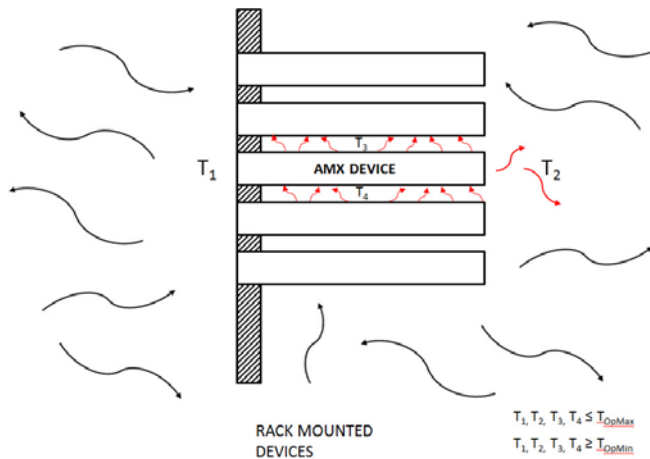


FIG. 5 HEAT CONVECTION IN RACK-MOUNTED DEVICES

Installation Recommendations

During any installation, a lack of ventilation may produce conditions that may adversely affect the device's operation. In these circumstances, special care must be made to make sure that temperatures within enclosed areas do not exceed the device's maximum rated temperature.

