

FLYING BRACKET SR-FB3

The SR-FB3 Flying Bracket is used for ceiling suspension of the Line Array Speaker SR-H2L, SR-H2S, SR-H3L, or SR-H3S. Only 1 speaker can be suspended using the SR-FB3.

1. SAFETY PRECAUTIONS

- Before installation or use, be sure to carefully read all the instructions in this section for correct and safe operation.
- Be sure to follow all the precautionary instructions in this section, which contain important warnings and/or cautions regarding safety.
- After reading, keep this manual handy for future reference.

⚠ WARNING

Indicates a potentially hazardous situation which, if mishandled, could result in death or serious personal injury.

- Refer all installation work to the qualified professionals. Installation for flying requires extensive technical knowledge and experience. The speaker may fall off if incorrectly installed, resulting in possible personal injury.
- Flying Precautions
Be sure to follow the instructions below. Otherwise, the suspension wires or belts may be off or snap and the speaker may fall off, causing personal injury.
 - Check to confirm that the suspension wires and belts are strong enough to withstand the speaker load.
 - The connectors of the suspension wires and belts must be securely linked with those of the speaker.
 - All parts and components (such as enclosures, metal pieces, and screws) must be free from any deformation, crack, and corrosion.
 - Be sure to use screws supplied with the optional flying hardware when installing the speaker using such hardware.
- Install the unit only in a location that can structurally support the weight of the unit and the speaker. Doing otherwise may result in the unit falling down and causing personal injury and/or property damage.
- Since the unit is designed for in-door use, do not install it outdoors. If installed outdoors, the aging of parts causes the unit to fall off, resulting in personal injury.
- Do not use other methods than specified to mount the bracket. Extreme force is applied to the unit and the unit could fall off, possibly resulting in personal injuries.
- Tighten each nut and bolt securely. Ensure that the bracket has no loose joints after installation to prevent accidents that could result in personal injury.
- Use the specified speaker in combination. Doing otherwise may cause the unit or component to fall off, resulting in personal injury.

⚠ CAUTION

Indicates a potentially hazardous situation which, if mishandled, could result in moderate or minor personal injury, and/or property damage.

- Avoid touching the unit's sharp metal edge to prevent injury.
- Do not put your weight on, nor hang down from the unit as this may cause it to fall down or drop, resulting in personal injury and/or property damage.
- Have the unit checked periodically by the shop from where it was purchased. Failure to do so may result in corrosion or damage to the unit or speaker that could cause the unit to fall, possibly causing personal injury.

1. SPECIFICATIONS

Applicable Speaker	SR-H2L, SR-H2S, SR-H3L, SR-H3S
Finish	Rolled steel plate, white, paint
Weight	630 g (1.39 lb)
Component	Suspension bracket 1 Pull-back bracket 1 Spacer (wood) 1
Accessories	Hex bolt M5 x 25 (with washer) 2 Hex bolt M5 x 40 (with washer) 2

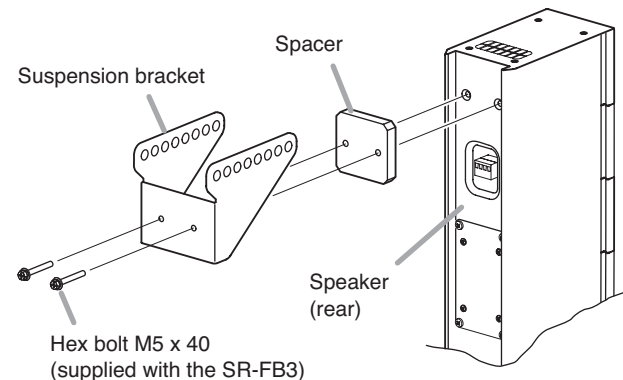
Note: The design and specifications are subject to change without notice for improvement.

2. INSTALLATION

Step 1. Attach the Suspension bracket to the speaker's rear upper section.

Remove the specified screws on the speaker's rear surface, then use their screw holes to secure the Suspension bracket. In this event, insert the Spacer between the speaker and the Suspension bracket.

Note
For the bracket mounting position, refer to "Mounting positions of the Suspension bracket and Pull-back bracket" shown at right.



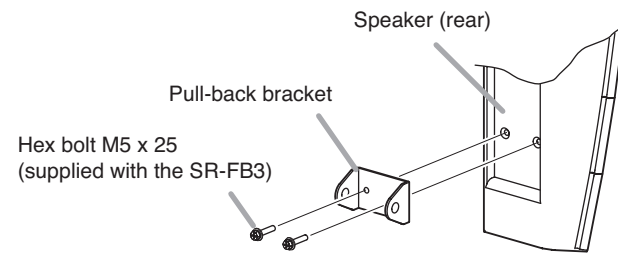
Step 2. Attach the Pull-back bracket to the speaker rear surface.

Attach the Pull-back bracket in one of the following cases, and install wires.

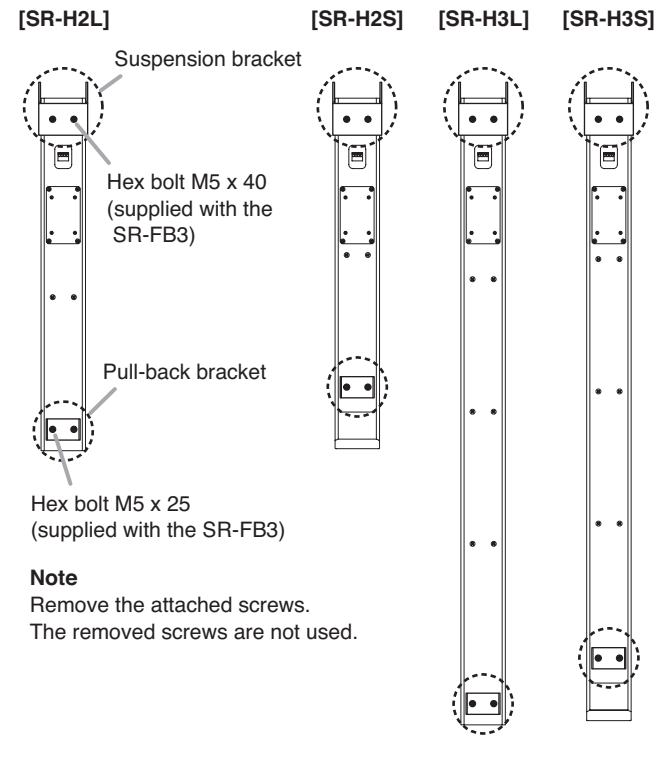
- When the speaker is to be suspended in fixed installations
- If more downward angle is required when suspending the speaker

Remove the specified screws on the speaker's rear surface, then use their screw holes to secure the Pull-back bracket.

Note
For the bracket mounting position, refer to "Mounting positions of the Suspension bracket and Pull-back bracket" shown below.



Mounting positions of the Suspension bracket and Pull-back bracket

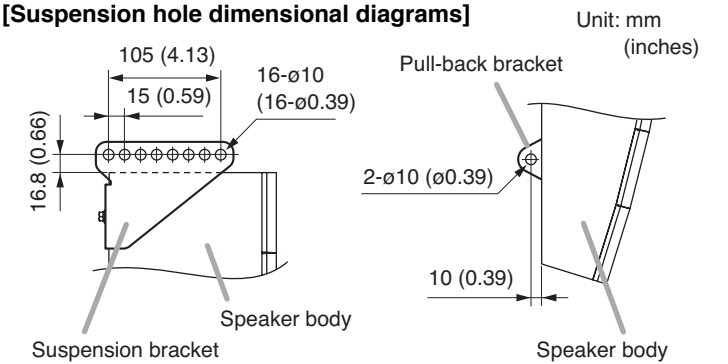


Step 3. Connect the suspension wires to both the suspension holes in the Suspension bracket and Pull-back bracket.

Tips
Speaker's downward angle can be adjusted by selecting the suspension holes in the Suspension bracket. If more downward angle is required, connect the wire to the Pull-back bracket, then pull it up and back.

Note
For details, read "Ceiling Suspension."

[Suspension hole dimensional diagrams]



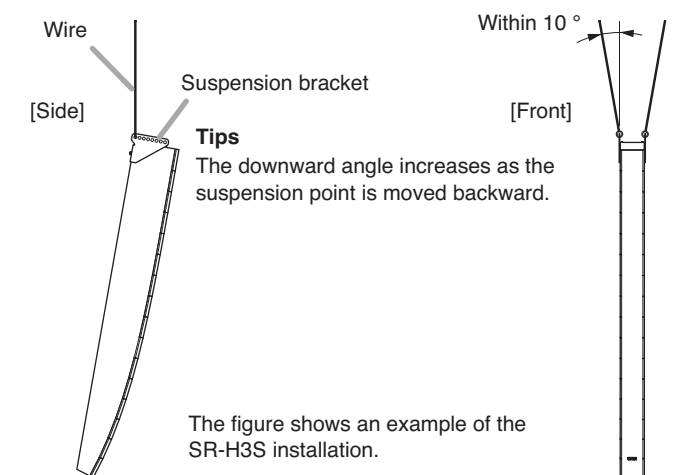
Step 4. Connect the speaker cable to the removable terminal plug.

Note
For connection, refer to the instruction manual enclosed with the speaker.

3. CEILING SUSPENSION

- Notes**
- Only 1 speaker can be suspended using the SR-FB3. (Never use the SR-FB3 to suspend the linked speakers.)
 - Adjust the wire length so that uniform load is applied to each wire.
 - When suspending the speaker, the angle of the suspension wires must be within 10° from the vertical axis.
 - When pulling the speaker up and back for adjusting the downward angle, the inclination angle of the speaker's rear surface must be within 30° from the vertical axis.

[Two-wire suspension method]



[Four-wire suspension method]

