

DESCRIPTION

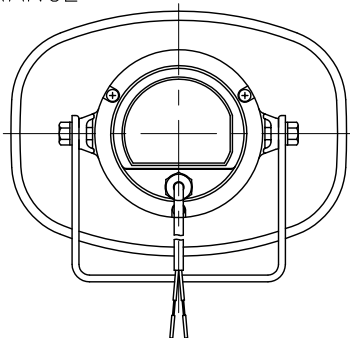
The SC-615 is a compact, highly intelligible speaker suited to public address announcement applications. Its external speaker component finished with powder coating, and stainless steel bracket and screws ensure the unit's weatherproof capability.

SPECIFICATIONS

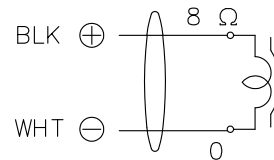
Rated Input	15 W (Mobile Mount use: 10 W)
Rated Impedance	8 Ω
Sound Pressure Level	112 dB (1 W, 1 m at 500 Hz to 2.5 kHz peak level)
Frequency Response	280 Hz – 12.5 kHz
Sensitivity when used as Microphone (0 dB=1 mW/10 dynes/cm ²)	-22 dB at 1 kHz
Dust/Water Protection	IP65
Polarity	Hot: Black , Com: White
Operating Temperature	-20 °C to +55 °C (must be free from dew condensation)
Finish	Horn flare: Aluminum, off-white, powder coating Reflector horn and rear cover: ABS resin, off-white Bracket, screws and bolts: Stainless steel Speaker cable: Polyvinyl chloride insulated cabtyre cable (6 mm in diameter, 600 mm in length)
Dimensions	222 (W) × 179 (H) × 234 (D) mm
Weight	1.1 kg
Option	Swivel bracket: YS-151S (Can be used instead of the supplied bracket.)

Note: Avoid installing the speaker in locations which vibrate considerably, or under environments easy to be oil-contaminated.

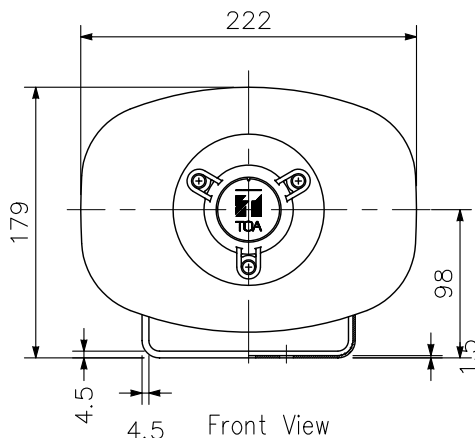
APPEARANCE



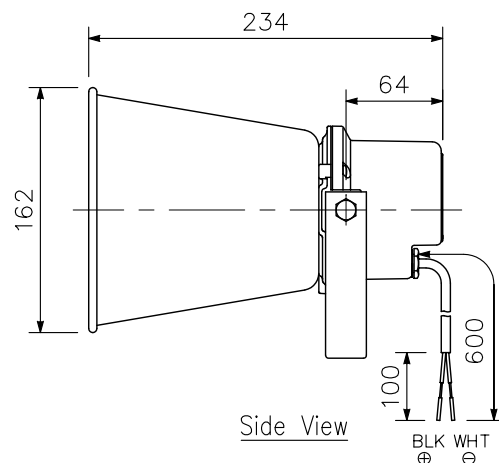
Rear View



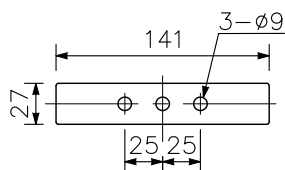
Wiring diagram



Front View



Side View



Bracket dimensional diagram

UNIT:mm SCALE:1/5