

PRODUCT FEATURES

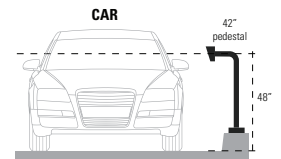
- Single height for cars and pedestrians
- Universal design
- Heavy duty materials
- Steel construction
- Black wrinkle powder coating w/ UV protection
- NDAA, Buy American, or USMCA/CUSMA compliant
- Build To Order (BTO)
- Available direct or through distribution
- ADA compliant

CUSTOM OPTIONS

- Shorten or extend neck reach
- Shorten or extend height
- Customize face plate or base plate
- Readily available powder coating colors (white, yellow, bronze, gray, silver)
- Choose any RAL powder color

DESCRIPTION

The heaviest-duty, single-height, telephone-entry pedestal in the security industry. Holds the heaviest telephone entry systems sturdy in the wind. Standing 42" tall, this pedestal is perfectly suited to accommodate gate access for most cars and pedestrians.

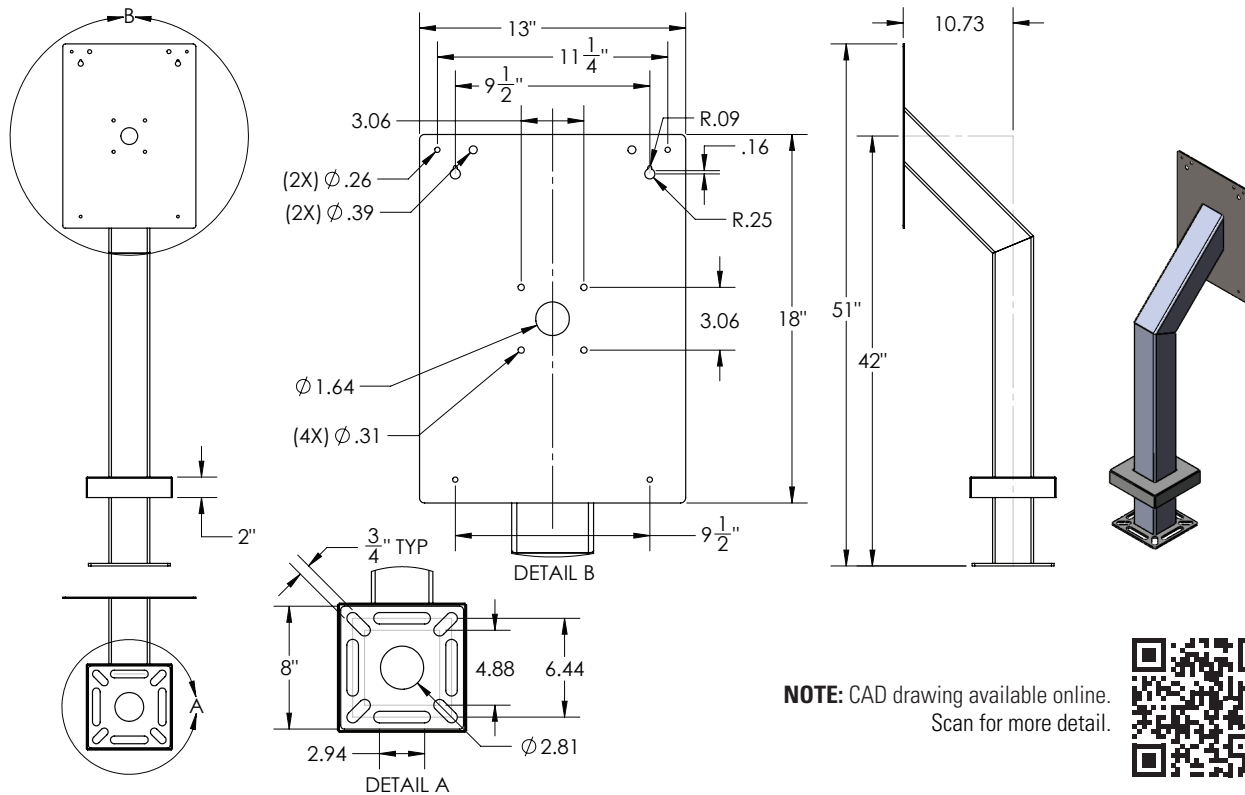


Download Vehicle Height Chart for more details

RECOMMENDED ACCESSORIES

<p>BOLT KIT</p> <p>Stud-Anchor-625</p>	<p>BOLT KIT</p> <p>L-Bolt-625</p>	<p>HOUSING</p> <p>Lando-CS-20x14-E</p>	<p>HOUSING</p> <p>MC-PC-14-E-BLK</p>	<p>HOUSING</p> <p>Lando-PC-20x16-E-BLK</p>	<p>BUFFER PLATE</p> <p>CS-ABP-1212</p>	<p>SHIM KIT</p> <p>Shim-Kit-001</p>
---	--	---	---	---	---	--

NOTE: Real time inventory levels are viewable for registered users on pedestalpro.com



NOTE: CAD drawing available online.
Scan for more detail.



DATA & SPECS

Product Style	Gooseneck
Material	Steel
Tube	4" x 4" x .120" wall, steel
Face Plate	.125" (11 gauge)
Base Plate	.25" plate
Cover Plate	.074" (14 gauge)
Mounting Method	Pad mount
Pretreatment	High pressure/high temperature phosphate wash and rinse
Finish	Black wrinkle powder coating (TGIC outdoor polyester)
UV Protection	Yes
Hardware	1/4-20 carriage bolts and nuts (qty 4 each, zinc plated)
Packaging	Foam wrapped and boxed individually
Package Size	54 x 15 x 13
Weight	45 lbs
Shipping Method	UPS, FedEx, or LTL freight
Compliance	NDA, Buy American, or USMCA/CUSMA (see website for details)
Warranty	1 year limited (see website for details)
Inventory Status	Build To Order (Fast Track production is available)

SIMILAR PRODUCTS

