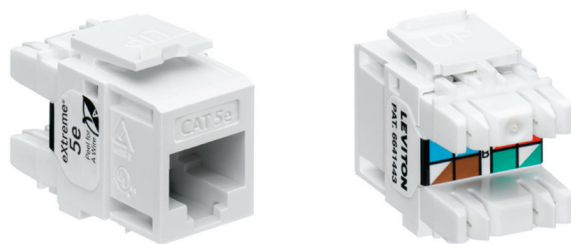


## EXTREME™ Cat 5e Component-Rated UTP QUICKPORT™ Jack

### APPLICATION

The EXTREME Cat 5e Component-Rated UTP Jack is designed to be used with all Leviton QUICKPORT compatible products. The jack includes patented Retention Force Technology™ which promotes consistent performance over the life of the system. It includes unique pair separation towers allowing for quicker and easier terminations. The jack is in a 180-degree configuration with the punch field in the back, allowing for rear termination.



### SPECIFICATION

The jack shall meet or exceed the requirements for channel and component-level electrical transmission performance as described in ANSI/TIA-568.2-D (Cat 5e), ISO/IEC 11801-1 (Class D), and EN 50173-1 (Class D). The jack shall be compliant with ANSI/TIA-1096-A, c(UL)us Listed, and be independently verified for electrical transmission performance and power delivery. All plastics used in construction of the jack bodies shall be fire retardant with a UL flammability rating of 94V-0. Termination of all jacks shall be 110-type insulation displacement connectors (IDC). The jack shall provide a ledge directly adjacent to the 110-style termination against which the wires can be terminated and cut in one action by the installer. Jack wiring is universal and will accommodate installation color codes for T568A and T568B wiring schemes. The jack shall be individual snap-in style and the termination field shall be in the rear for easy access. The jack shall include a snap on dust cap with high pull-out force and shall fit in a variety of telecommunications wallplates, outlets, and field-configurable patch panels and patch blocks. The jack shall be compliant with IEEE 802.3 PoE Type 1, 2, 3, 4 (100 watts max).

### FEATURES & BENEFITS

- Terminates 26- and 22- AWG solid conductors
- Capable of multiple re-terminations
- Gas-tight IDC connectors prevent corrosion
- Dual-layer T568B/T568A wiring label simplifies punchdown
- Patented Retention Force Technology protects tines from damage and increases system longevity
- Pair Separation Tower design facilitates separation of conductors and minimizes untwisting
- 180-degree configuration allows for rear termination
- Available in 13 ANSI/TIA-606-C compatible colors for color coding or organization
- Available individually, in bulk packages of 25, and in bulk packages of 150 with a JackRapid™ Punchdown Tool

### DESIGN CONSIDERATIONS

- Use in any QUICKPORT housing to support EXTREME Cat 5e UTP connectivity in surface-mount, flush-mount, or modular furniture outlets and field-configurable panels
- Can be used in conjunction with other QUICKPORT snap-in modules for voice/data and video applications over UTP, coax, and fiber

### STANDARDS & REGULATIONS

- ANSI/TIA-568.2-D (Cat 5e)
- ISO/IEC 11801-1 (Cat 5e)
- EN 50173-1 (Cat 5e)
- ANSI/TIA-1096-A (formerly FCC Part 68)
- IEC 60512-99-002
- IEC 60603-7 (includes IEC 60512-5-2)
- c(UL)us Listed (UL 1863)
- UL 2043 Plenum Certified
- IEEE 802.3 PoE Type 1, 2, 3, 4 (100 watts max)
- Cisco UPOE, UPOE+ (90 watts max)
- Power over HDBaseT™ PoH (95 watts max)
- ETL verified to meet the IEC 60512-99-002 standard for support of IEEE 802.3 Type 4 PoE (100-watt) applications
- RoHS 3

### COUNTRY OF ORIGIN

USA

### WARRANTY INFORMATION

For Leviton product warranties, go to [Leviton.com/NS/Warranty](http://Leviton.com/NS/Warranty)

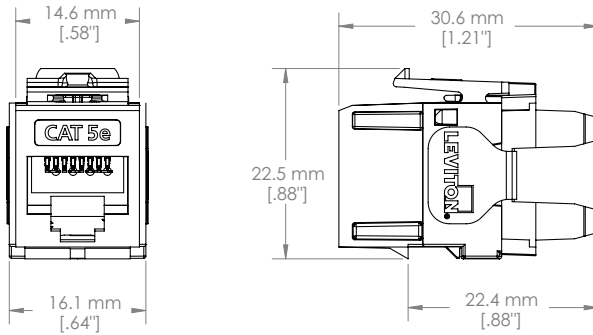
# PRODUCT SPECIFICATIONS

## 5G110-xx5

5G110-xx5

### MECHANICAL SPECIFICATIONS

- Dimensions: See below
- Materials: **Jack Body:** High-impact, fire-retardant plastic rated UL 94V-0  
**Spring Wire Contacts:** High quality copper-based alloy, plated with 50 microinches of gold over 100 microinches of nickel for lowest electrical contact resistance and maximum life
- Temp. (Storage): -40 °C to +70 °C (-40 °F to +158 °F)
- Temp. (Installation): Refer to cable installation temperature
- Temp. (Operating): -10 °C to +60 °C (+14 °F to +140 °F)
- Humidity (Max.): 95% relative humidity, non-condensing



### PART NUMBERS

Description	Jack	QuickPack™ 25/Bag	150/Bag with JackRapid™ Tool
EXTREME™ Cat 5e Component-Rated UTP QUICKPORT™ Jack, white	5G110-RW5	5G110-BW5	5G110-JW5
EXTREME Cat 5e Component-Rated UTP QUICKPORT Jack, light almond	5G110-RT5	5G110-BT5	5G110-JT5
EXTREME Cat 5e Component-Rated UTP QUICKPORT Jack, blue	5G110-RL5	5G110-BL5	5G110-JL5
EXTREME Cat 5e Component-Rated UTP QUICKPORT Jack, ivory	5G110-RI5	5G110-BI5	5G110-JI5
EXTREME Cat 5e Component-Rated UTP QUICKPORT Jack, yellow	5G110-RY5	5G110-BY5	5G110-JY5
EXTREME Cat 5e Component-Rated UTP QUICKPORT Jack, orange	5G110-RO5	5G110-BO5	5G110-JO5
EXTREME Cat 5e Component-Rated UTP QUICKPORT Jack, crimson	5G110-RC5	5G110-BC5	5G110-JC5
EXTREME Cat 5e Component-Rated UTP QUICKPORT Jack, dark red	5G110-RR5	5G110-BR5	5G110-JR5
EXTREME Cat 5e Component-Rated UTP QUICKPORT Jack, purple	5G110-RP5	5G110-BP5	5G110-JP5
EXTREME Cat 5e Component-Rated UTP QUICKPORT Jack, green	5G110-RV5	5G110-BV5	5G110-JV5
EXTREME Cat 5e Component-Rated UTP QUICKPORT Jack, gray	5G110-RG5	5G110-BG5	5G110-JG5
EXTREME Cat 5e Component-Rated UTP QUICKPORT Jack, black	5G110-RE5	5G110-BE5	5G110-JE5
EXTREME Cat 5e Component-Rated UTP QUICKPORT Jack, brown	5G110-RB5	5G110-BB5	5G110-JB5

For further support information, visit [Leviton.com/NS/Support](http://Leviton.com/NS/Support)