

Multimedia Outlet System Wallplates

APPLICATION

Multimedia Outlet System (MOS) Wallplates provide flush-mount workstation connectivity for copper, fiber, and multimedia applications. Wallplates accept all MOS modules.



SPECIFICATION

Wallplates shall be front-loading, individual port configurable such that re-configuration shall be possible from the front without requiring removal or detachment of the wallplate. Wallplate mounting screw holes shall be slotted to permit levelling in crooked wallboxes, and shall be hidden behind labeling identification windows at the top and bottom of each wallplate opening. Label areas shall be compatible with ANSI/TIA-606-B labeling requirements. Wallplates shall be available in the following colors: white, light almond, ivory, grey, or black. Connectors shall be available in 13 colors to allow color-coded port ID. Colors and configurations to be specified per schedule on plan.

FEATURES

- Ideal for locations where an aesthetic flush-mount look is important
- Slotted mounting holes let installers level the plate if backbox is crooked
- Different colored modules are available to identify ports, or labels can be applied in the protected label identification windows
- Dual-gang plates can be used with a fiber storage ring (41290-DRx)

DESIGN CONSIDERATIONS

- Accepts 1, 1.5, 2, and 3 unit high inserts
- Use 2-port QuickPort® Module Adapter (flush or angled versions) to house simplex QuickPort Modules
- Wallplates mount to standard NEMA openings, single- and dual-gang backboxes, or four-square boxes with appropriate reducer/adapter
- Fill unused spaces with blank modules for a secure fitting and to prevent debris from entering wallplate

INSTALLATION NOTES

- The plate attaches with screws to wallbox or backbox
- Inserts snap in/out of wallplate from front
- Self-leveling feature allows adjustment
- Limit wire untwisting to 0.5 inches from termination point
- Limit cable jacket removal to a minimum
- Observe cable manufacturer's recommended bend radius
- 1.5-unit angled QuickPort modules used in the top half of the wallplate may result in an interference when using fiber connectors and the fiber storage ring (41290-DRx)

STANDARDS COMPLIANCE

- ANSI/TIA-568-C
- ANSI/TIA-1096-A
- cULus Listed (UL1863, CAN/CSA C22.2 No. 182.4-M90)

PHYSICAL SPECIFICATIONS

Capacity: Each wallplate opening (gang) has a three-unit capacity for connector inserts:

- Three 1 unit high inserts
- Two 1.5 unit high inserts
- One 2 unit high and one 1 unit high insert
- One 3 unit high insert

Single-gang wallplate has three units worth of space, providing 1 to 12 ports (depending on the configuration)

Materials: High-impact self-extinguishing ABS plastic rated UL 94V-0

Dimensions: See page two

COUNTRY OF ORIGIN

Mexico

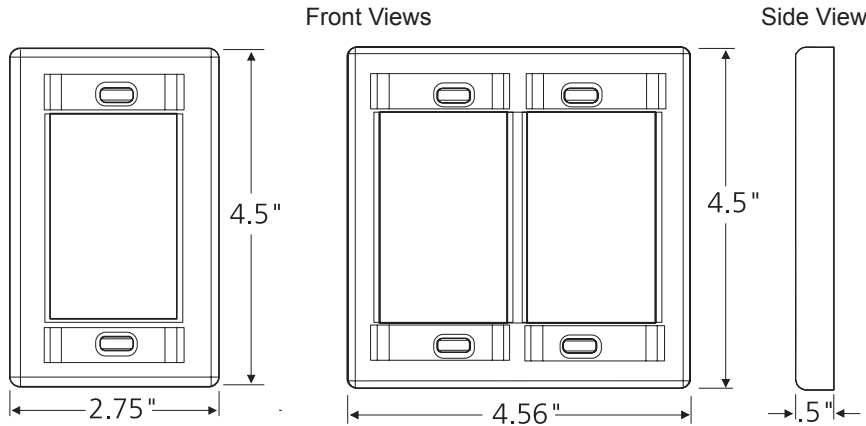
WARRANTY INFORMATION

For warranty information go to leviton.com/warranty
www.leviton.com/warranty.

41290-SMx, 41290-DMx

ELECTRONIC FILES

For CAD files, typical specs, or technical drawings (.DXF, .DWG), visit www.leviton.com.



41290-SMX, 41290-DMX

PART NUMBERS

Description	White	Light Almond	Ivory	Grey	Black
MOS Wallplate, Single Gang	41290-SMW	41290-SMT	41290-SMI	41290-SMG	41290-SME
MOS Wallplate, Dual Gang	41290-DMW	41290-DMT	41290-DMI	41290-DMG	41290-DME

Note: Port Identification cards/windows cover wallplate mounting screws