

Network Equipment Racks & Accessories

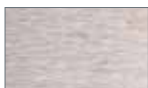
Eaton offers two-post, four-post, fixed wall mount, swing gate wall mount, and seismic zone 4 open frame racks and accessories to support networking equipment and cabling for enterprise data centers, colocation providers and network closets.

- Two-post racks - designed to meet a variety of application requirements.
- Two-post seismic racks - for areas where shock and vibration are a factor and is tested to NEBS GR-63-Core Seismic Zone 4 standards and rated for 900 lbs. of equipment.
- Four-post racks - adjustable depth four-post rack offerings address these needs while also accommodating other Eaton equipment and cable management accessories.

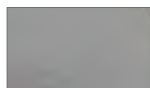
Material:	Type	Thickness	Specifications
	Steel Bar	3/8" (9.5mm) - 7 Gauge (4.5mm)	ASTM A36
	Steel Sheet & Strip	10 Gauge (3.4mm) - 18 Gauge (1.2mm)	ASTM A569
	Aluminum		5052-H32, 6061-T6 & 6063-T6

Finishes:

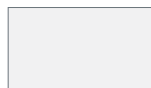
- Brushed Aluminum (AL)
- Powder Coat Paint
 - Flat Black (FB)
 - Telco Gray (TG)
 - Eaton White (EW)
 - Silver (SL)
- Chemical Conversion Coatings Available
 - Yellow Zinc (YZ) . . . ASTM B633
 - Black Zinc (BZ) . . . ASTM B633



(AL)
Brushed
Aluminum



(TG)
Telco Gray



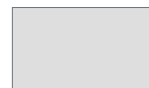
(EW)
Eaton White



(FB)
Flat Black
&
(BZ)
Black Zinc



(YZ)
Yellow Zinc



(SL)
Silver

Standard Conformance:

- EIA/ECA-310-E
- UL Listed Communication Circuit Accessory (file no. E171936)
- Audio/Video, Information and Communication Technology Equipment Cabinet, Enclosure and Rack Systems

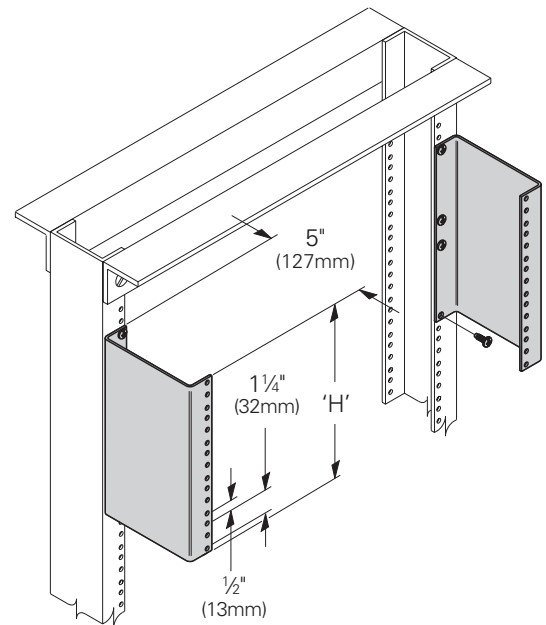
Network Equipment Rack Standoff Bracket

- Use to increase depth for oversized equipment
- 5" (127mm) depth. (Other depths and heights are available upon request)
- Includes: (2) standoff brackets and #12-24 mounting hardware

- Material: 11 Gauge (3.0mm) ASTM A569 steel
- Finish___: Flat black powder coat (FB)
Telco gray powder coat (TG)
Silver powder coat (SL)
Yellow zinc (YZ)

Part Number	Height 'H'		Mounting Spaces	Screws	Weight	
	In.	(mm)			Lbs.	(kg)
SB58501__	1 1/16"	(43)	1	4	0.8	(0.3)
SB58502__	3 7/16"	(87)	2	4	1.6	(0.7)
SB58503__	5 3/16"	(132)	3	6	2.4	(1.1)
SB58504__	6 15/16"	(176)	4	8	3.2	(1.4)
SB58505__	8 1/16"	(220)	5	8	4.0	(1.8)
SB58506__	10 7/16"	(265)	6	8	4.2	(1.9)
SB58507__	12 3/16"	(309)	7	8	5.6	(2.5)
SB58508__	13 15/16"	(354)	8	8	6.4	(2.9)
SB58510__	17 7/16"	(443)	10	10	8.0	(3.6)
SB58520__	34 15/16"	(887)	20	20	16.0	(7.2)
SB58530__	52 7/16"	(1332)	30	30	24.0	(10.9)

Specify part number and finish when ordering.
Other heights and depths are available on request.



Two-Post Network Rack Extension Kit

- Use to increase rack height for additional equipment mounting space
- Double sided universal [5/8" (16mm), 5/8" (16mm), 1/2" (13mm)] mounting spacing
- Includes (2) uprights, (2) splice bars and 3/8"-16 hardware
- #12-24 panel mounting holes
- Available in steel or aluminum uprights

- See SB575 for top angle
- Material: Aluminum
Steel - ASTM A36 structural steel
- Finish ___: Aluminum - brushed (AL)
Flat black powder coat (FB)
Telco gray powder coat (TG)

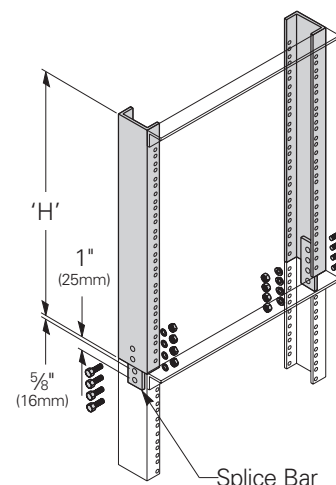
Aluminum

Part Number	'H' Height		Mounting Spaces	Weight	
	In.	(mm)		Lbs.	(kg)
SB57412A__	12"	(305)	5	4.2	(1.9)
SB57424A__	24"	(609)	12	7.0	(3.2)

Steel

Part Number	'H' Height		Mounting Spaces	Weight	
	In.	(mm)		Lbs.	(kg)
SB57412S__	12"	(305)	5	9.6	(4.3)
SB57424S__	24"	(609)	12	17.8	(8.1)

Specify part number and finish when ordering.



Note: Holes must be field drilled in rack.