

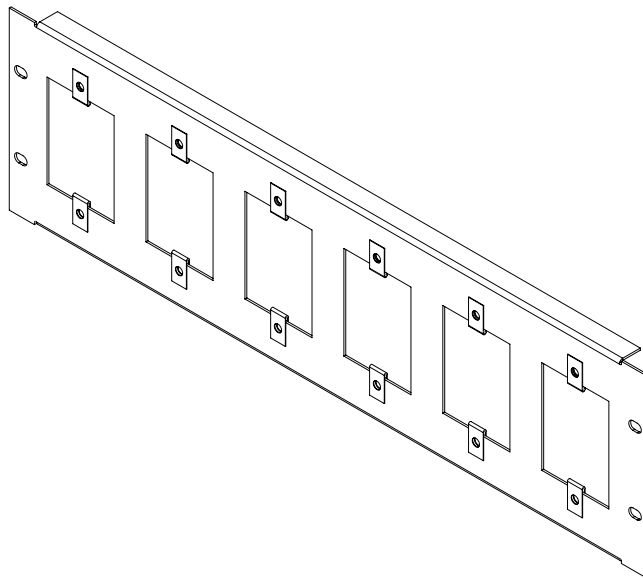
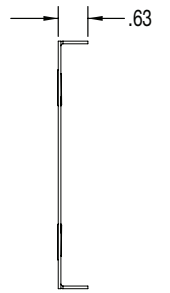
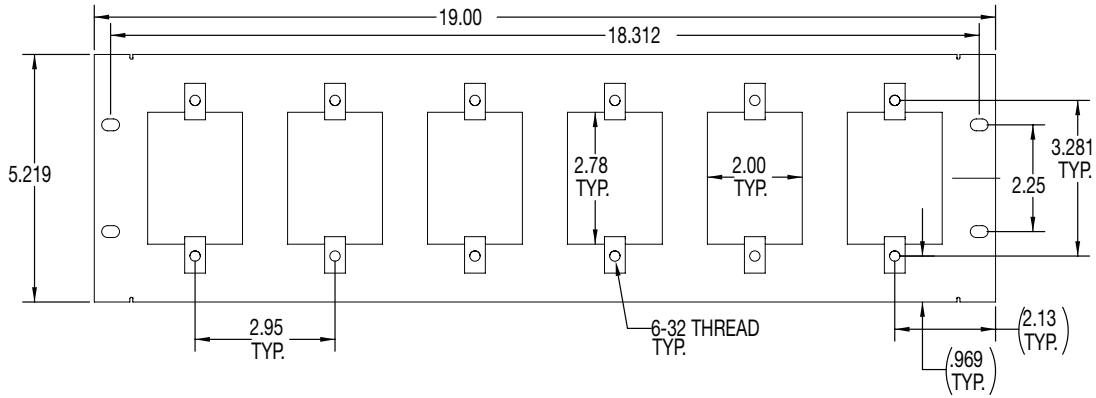
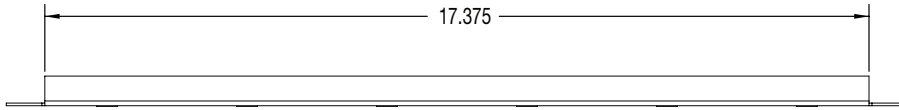
Steel rackmount panel (19" x 3U) with flange features punches to mount up to six single gang devices that have a standard wall plate. Ideal for mounting volume controls to a 19" rack.

FEATURES:

- **Construction:** 16-gauge certified U.S. steel with smooth black (semi-gloss) powder epoxy finish
- **Overall Width:** 19.00"
- **Panel Space:** 3U
- **Overall Depth (flange):** 0.625"
- **Hardware:** Twelve (12) 6-32 clips included
- **Origin:** Made in the U.S.A. with certified U.S. steel
- **Installation:** The panel is designed to front-load up to six standard wall plate devices that install with two screws.
NOTE: Panel is for one-gang devices only as spacing is not suitable for two-gang devices.
- **A&E Specifications:** Low voltage accessory devices shall be mounted to Lowell rack panel model SG6P-3, which shall measure 19"W x 3U and have a 0.625" flange. The panel shall be made in the U.S.A. of formed 16 gauge steel construction with smooth black powder epoxy finish and feature six punched cutouts to hold standard single gang devices.

COMPATIBLE VOLUME CONTROLS (order separately):

- **25LVC:** 25W volume control (3dB step) and stainless steel wall plate
- **50LVC:** 50W volume control (3dB step) and stainless steel wall plate
- **100LVC:** 100W volume control (3dB step) and stainless steel wall plate
- **100LVC-PA:** 100W volume control (3dB step) with priority relay and stainless steel wall plate
- **10015LVC:** 100W volume control (1.5dB step) and stainless steel wall plate
- **25LVC-SW:** 25W volume control (3dB step) and white wall plate
- **50LVC-SW:** 50W volume control (3dB step) and white wall plate
- **100LVC-SW:** 100W volume control (3dB step) and white wall plate
- **100LVC-PA-SW:** 100W volume control (3dB step) with priority relay and white wall plate
- **10015LVC-SW:** 100W volume control (1.5dB step) and white wall plate



Measurements are inches unless noted otherwise.

