



Quick Install Guide

UNIFY CWE-U320 and WXP



Unify and WXP

Unify allows you to manage multiple cameras and multiple entries. Use unify if you want to manage access to multiple gates or doors. You may use multiple Unify to manage security devices and cover a lot of property. You will receive a Unify Installation Kit.

WXP allows you to manage multiple entries. WXP does not work with cameras. You can use multiple WXP devices, which allows you to manage many different security devices on your property.

When you order a Unify or WXP, you receive an Installation Kit with the contents listed below.

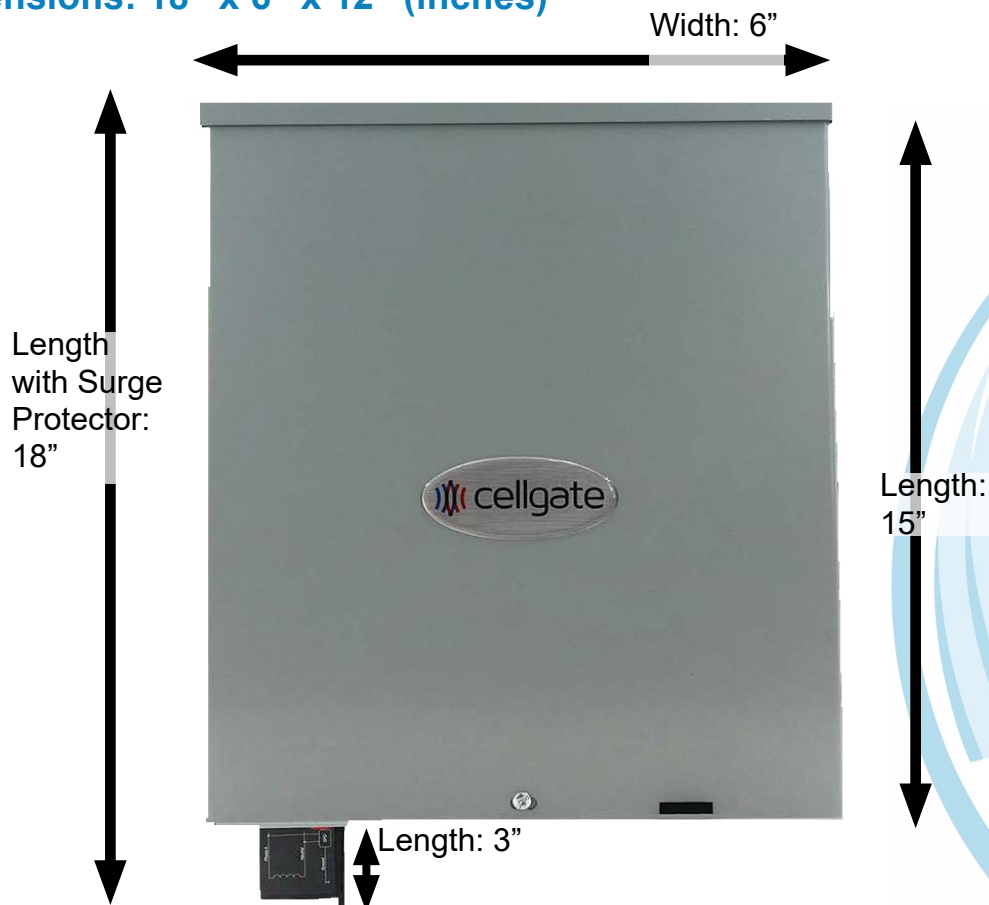
Installation Kit

Your installation kit includes the following:

- Unify or WXP Unit
- 12 V / 5 Amp power supply, built in
- AC transformer, built in
- Quick Install Guide
- Activation & Test Process
- Customer Information Packet

Unify and WXP Details

Max Dimensions: 18" x 6" x 12" (inches)



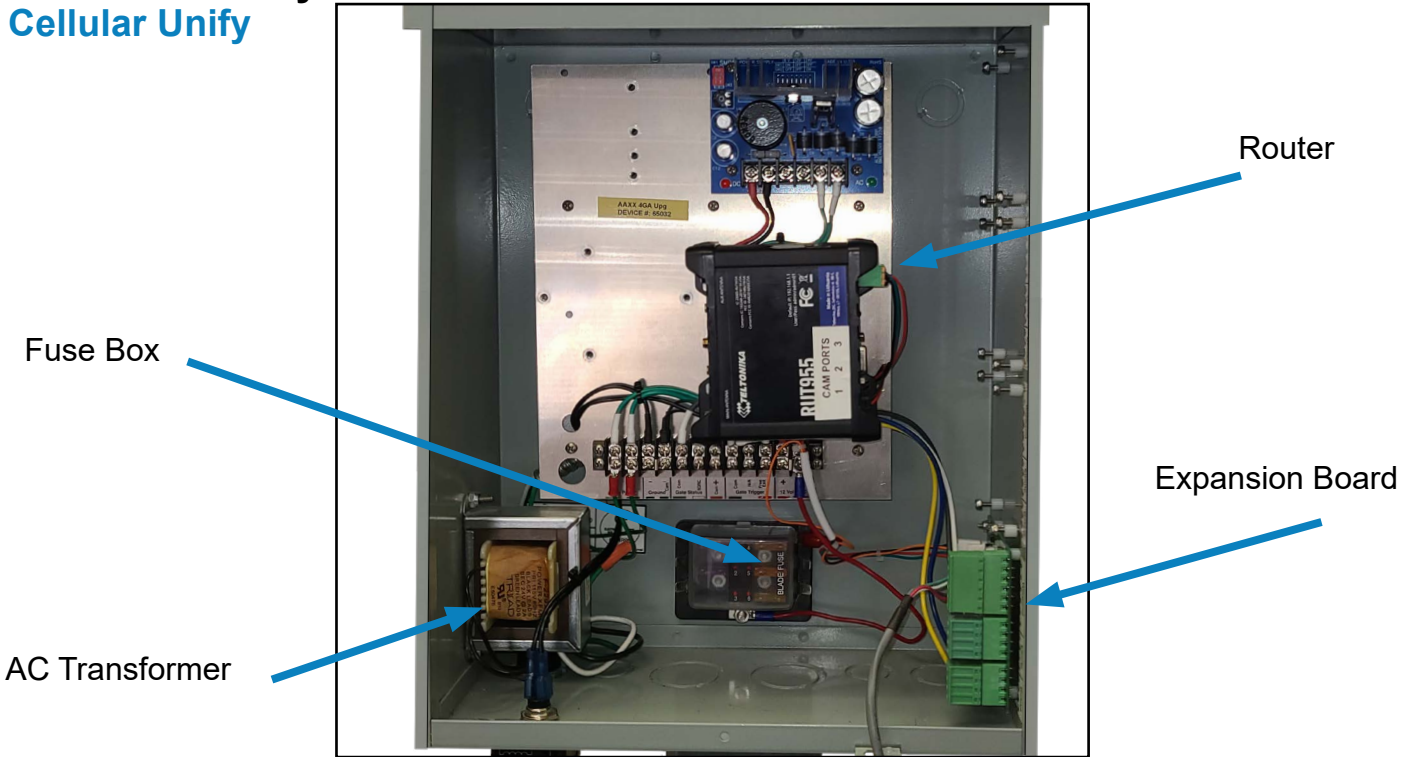
NOTE

The surge protector is only included in the AC-powered Unify and AC-powered WXP. The Solar Powered Unify and Solar Powered WXP do not use surge protectors.



Identified Unify Elements

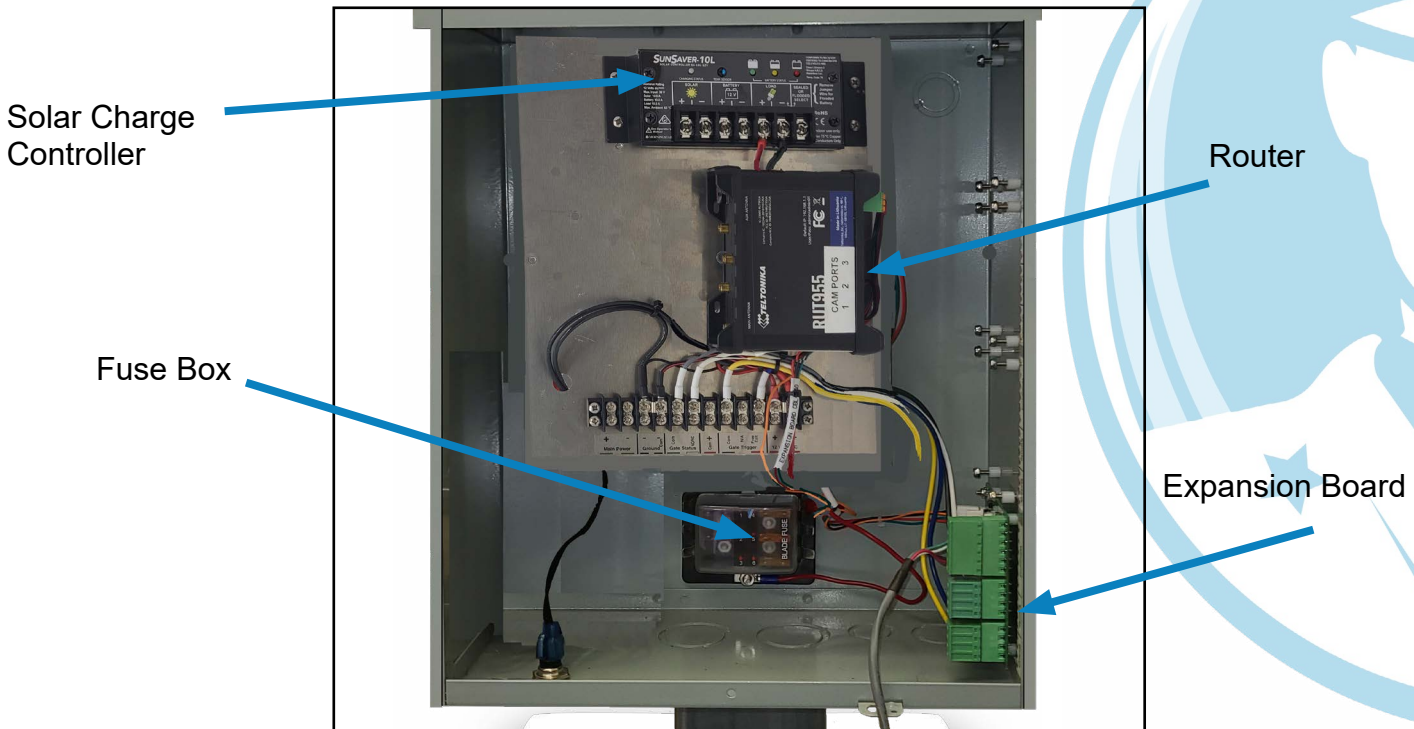
Cellular Unify



NOTE Recommended wiring: 18/6 shielded for main device, and 18/4 shielded for optional Wiegand devices.

Solar-Powered Unify

Unify can be solar powered. The solar power board is below.

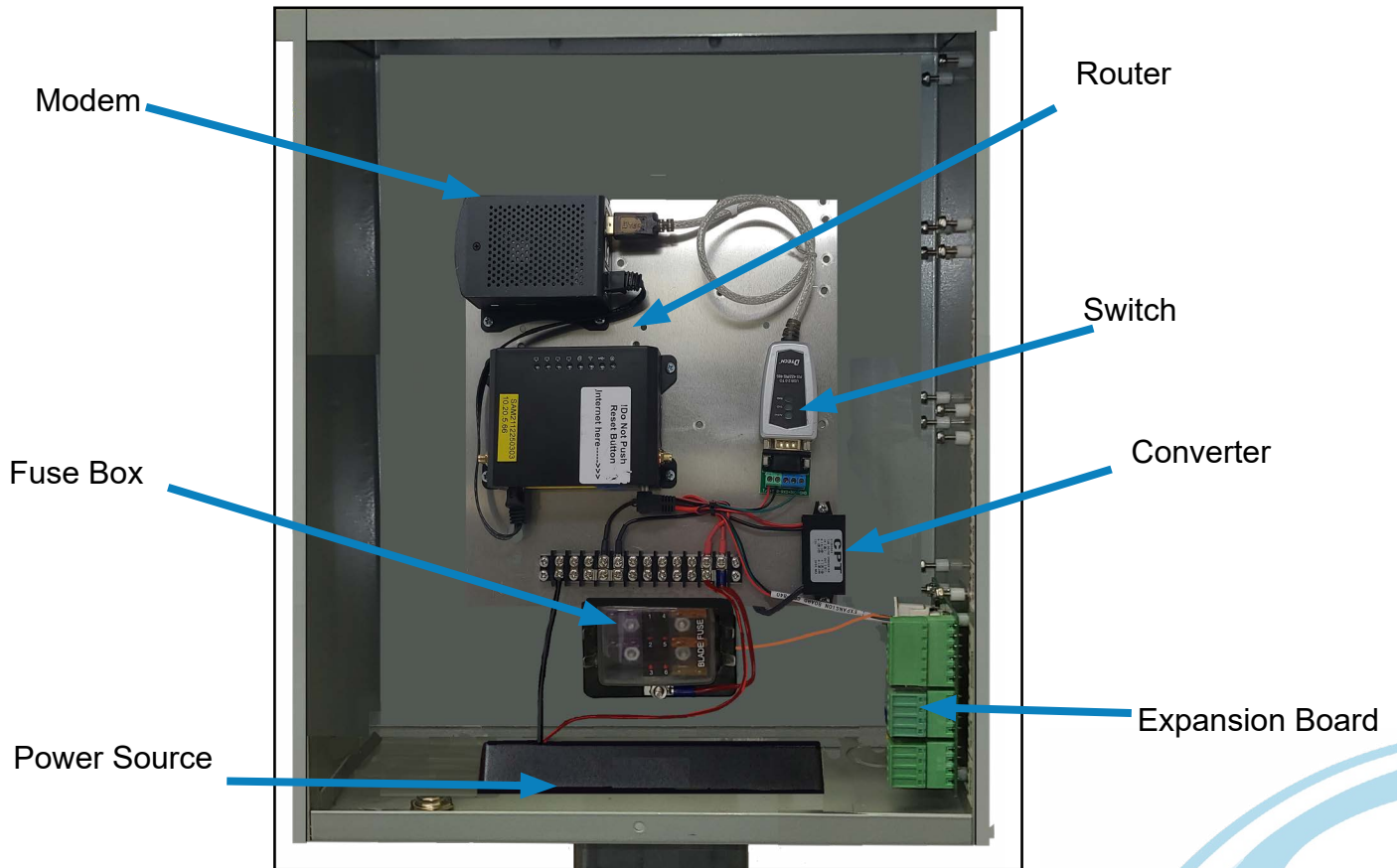




WATCHMAN[®]
Your Virtual Security Guard

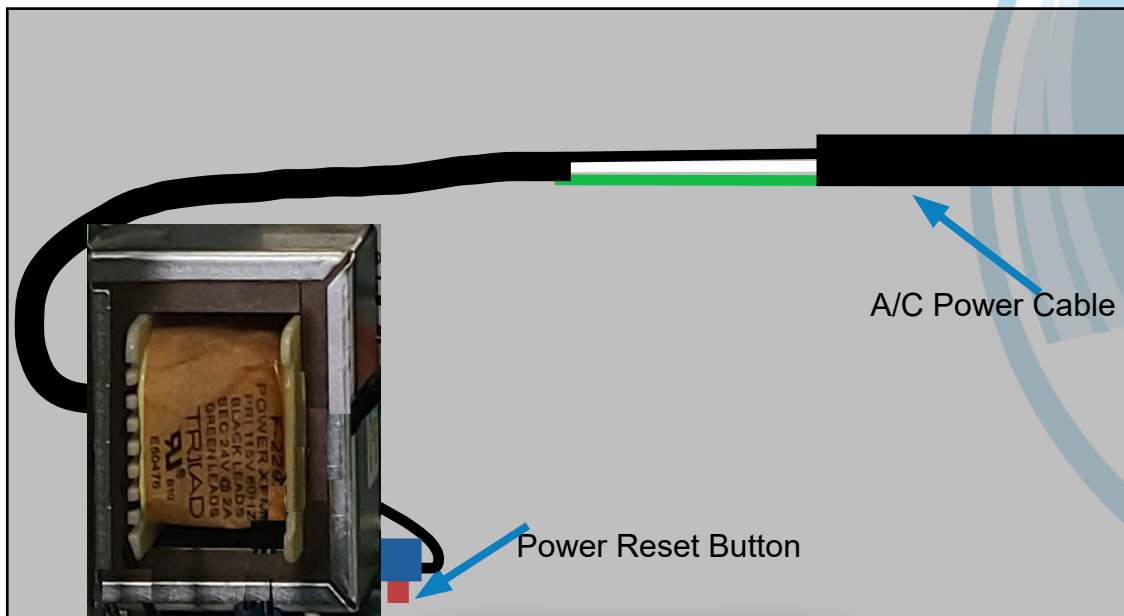
by  cellgate

Unify Cellular



Power Supply Wiring for Unify Device

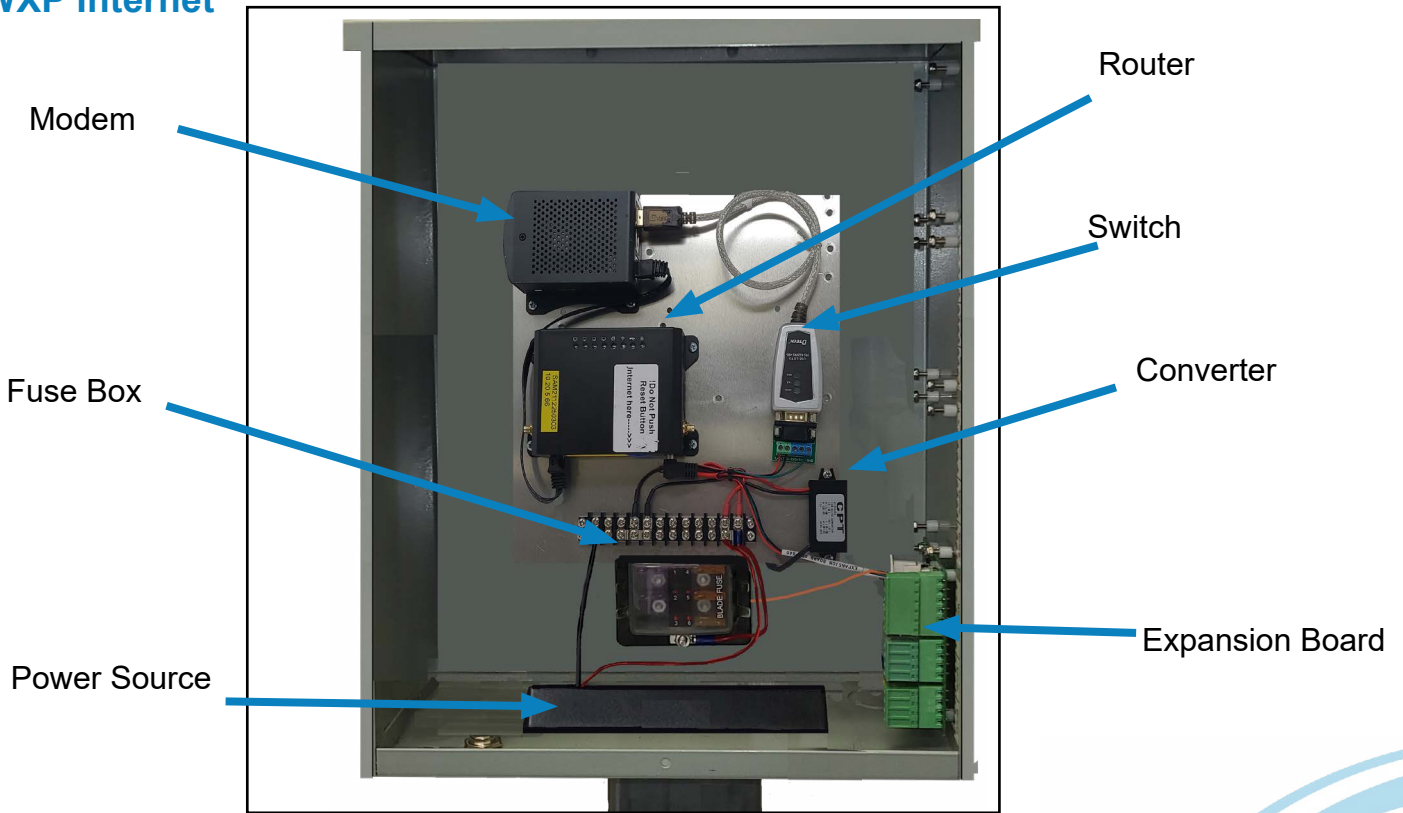
To wire the Unify unit, refer to the illustration below.



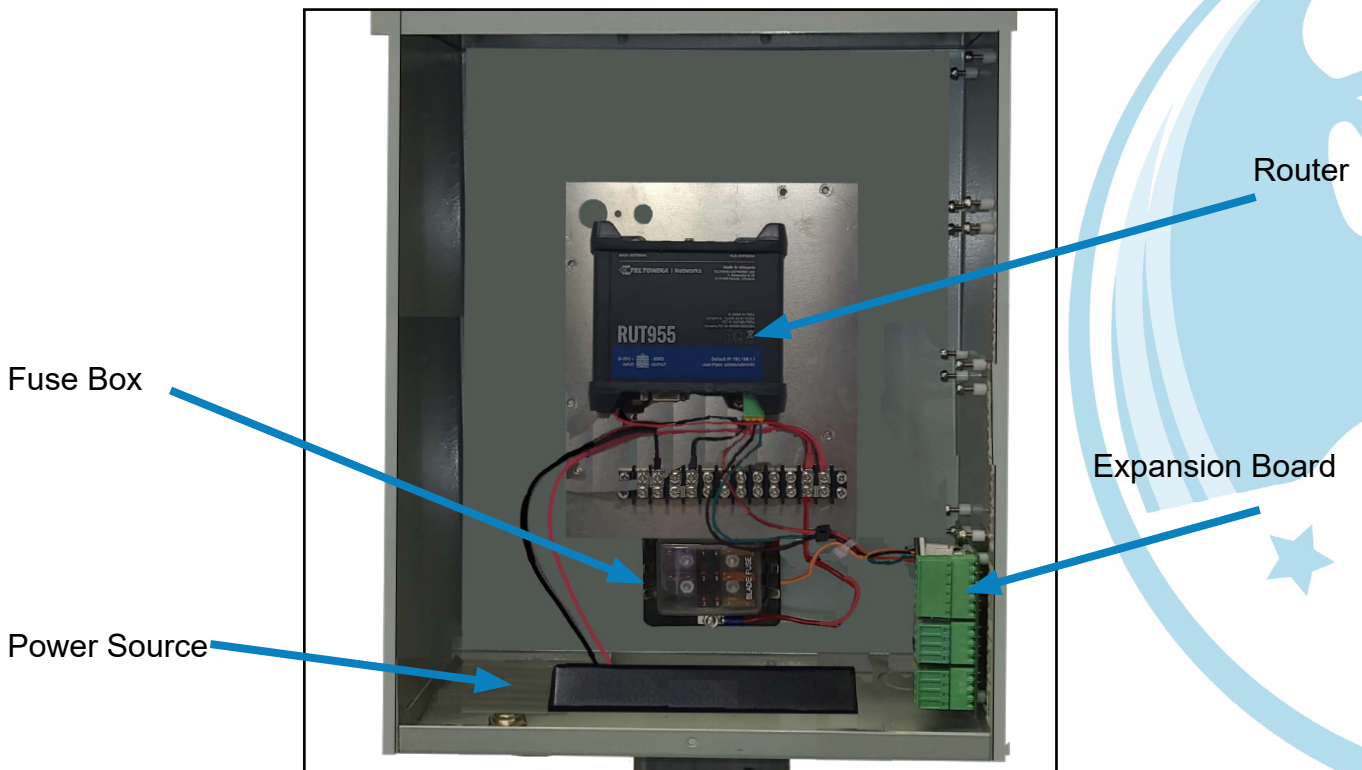


Identified WXP Elements

WXP Internet



WXP Cellular





Unify and WXP Supported Devices

- 26-bit Wiegand Devices (up to 4)
- Clickers
- RFID Card Readers
- Keypads



NOTE

The section below only applies to Unify devices. WXP devices do not support cameras.

Unify Supported Cameras

Cameras

Each Unify device allows for up to 4 cameras. Below are examples of cameras you can use with your Unify device.



CAM 293



CAM 296



CAM 299

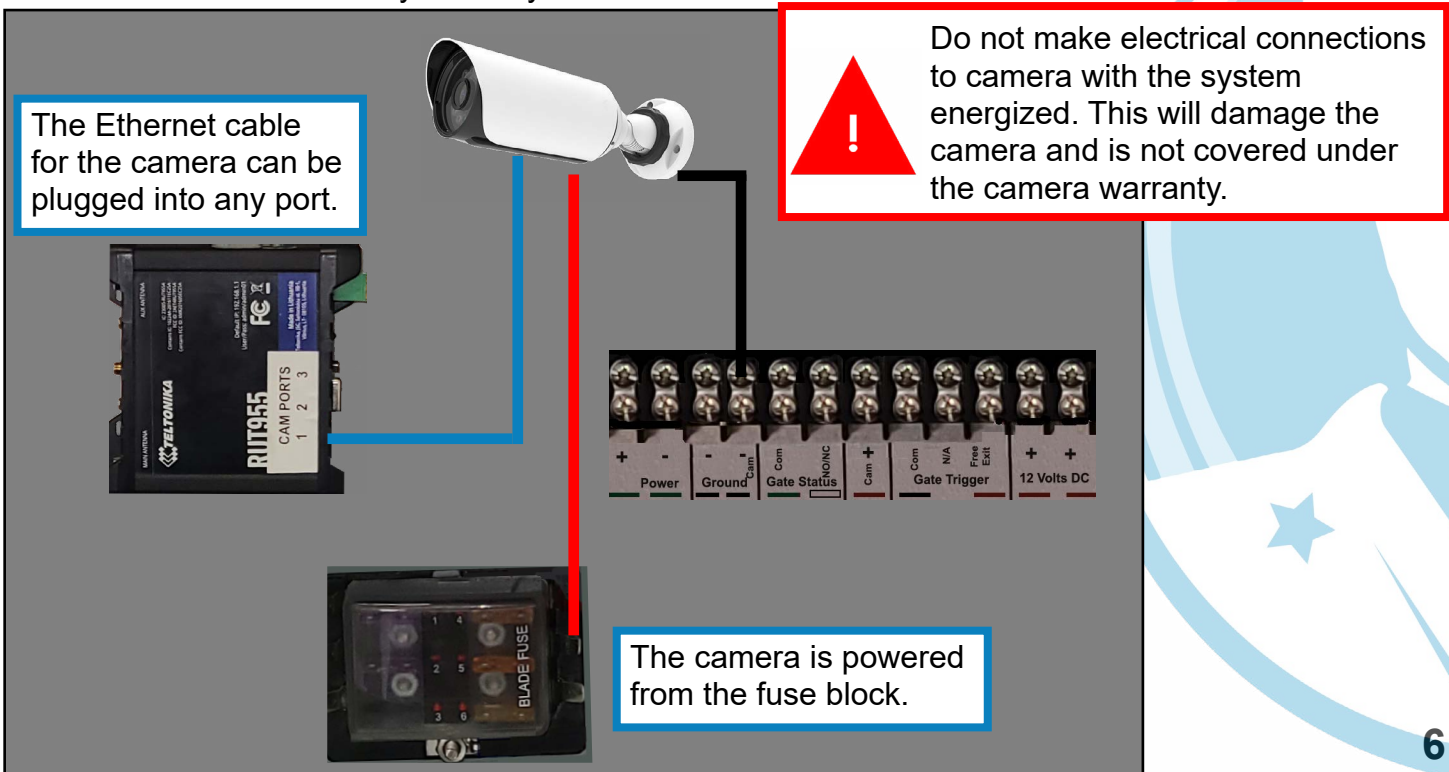


CAM 232

Unify Camera Wiring

External Camera(s) Wiring

Wire camera or cameras to your Unify as shown.

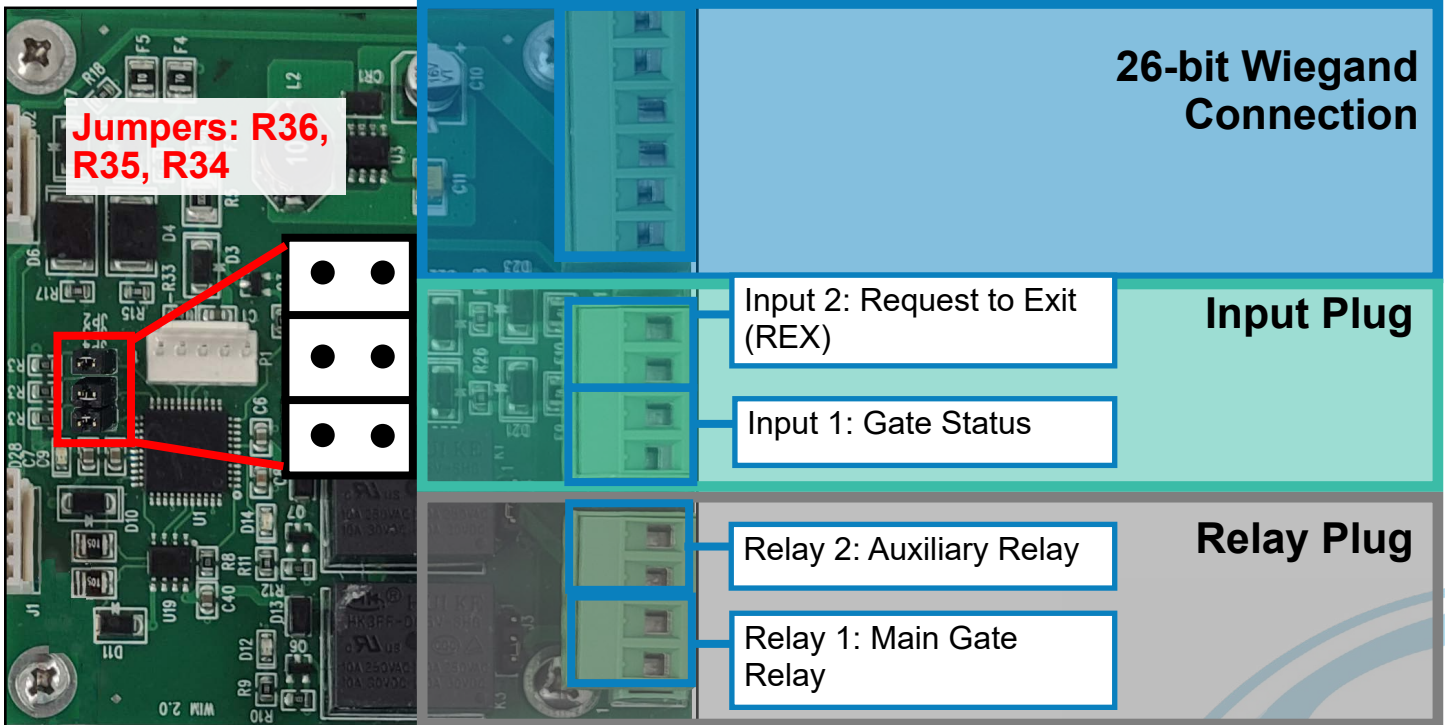




Expansion Board

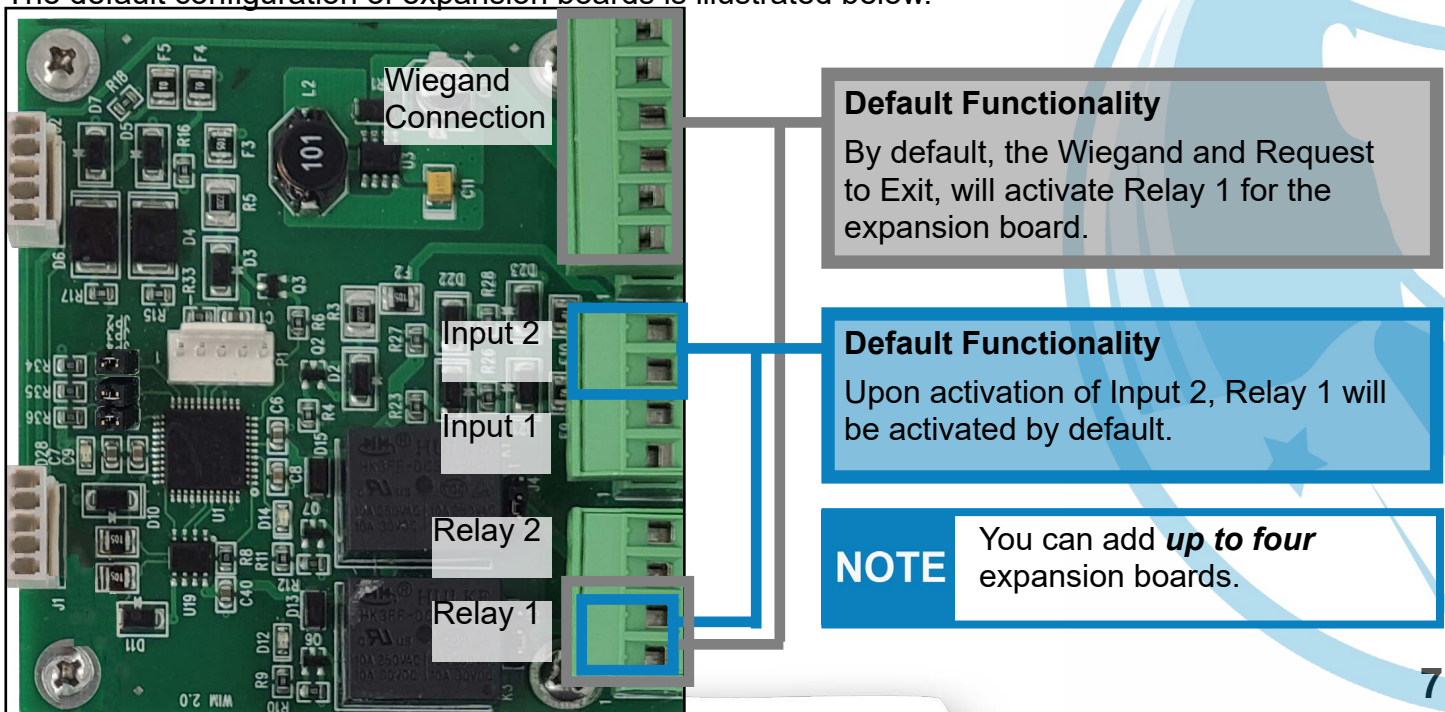
You can change the number of devices the Unify manages by adding expansion boards. Expansion board parts and configuration are identified below.

Jumpers allow you to identify the expansion boards: the number and configuration of jumpers on each expansion board identifies the expansion board.



Expansion Board Default Configuration

The default configuration of expansion boards is illustrated below.

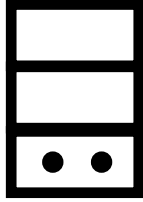




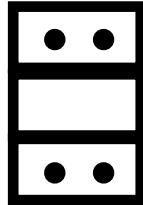
Expansion Board Order

You can add up to four expansion boards to your Unify device. Boards are numbered from the bottom up: Board 1 is closest to the bottom of the device casing, and Board 4 is closest to the top.

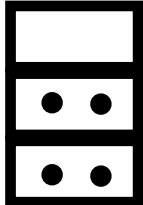
Expansion Board 4
Jumpers on R36



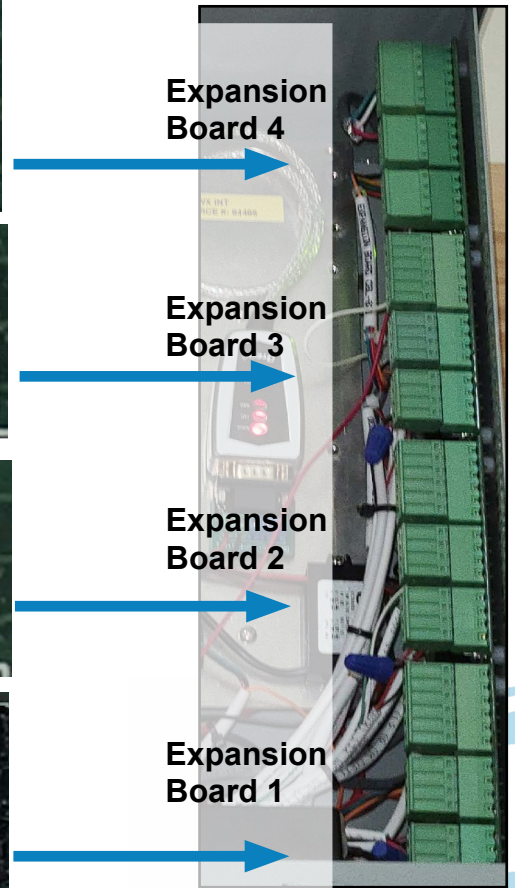
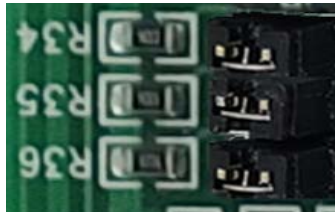
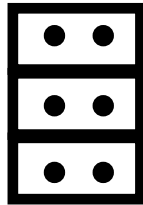
Expansion Board 3
Jumpers on R34, R36



Expansion Board 2
Jumpers on R35, R36

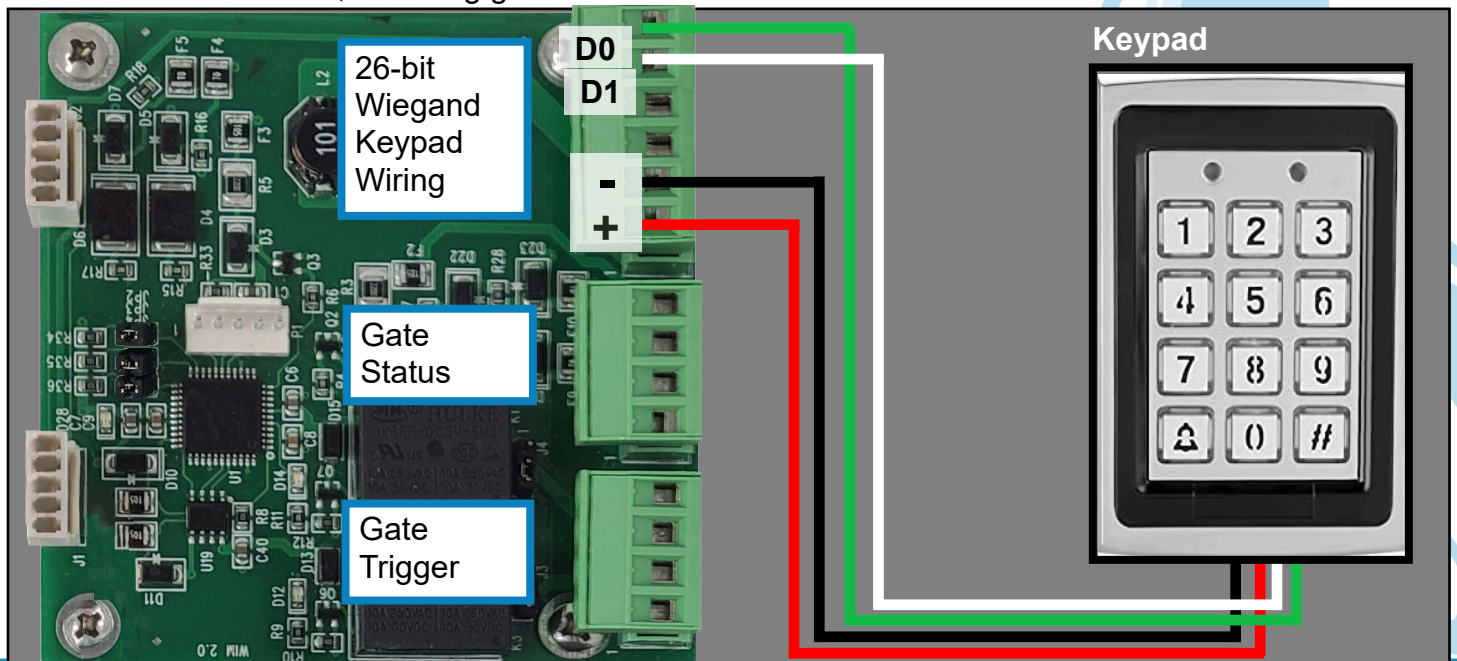


Expansion Board 1
Jumpers on R34, R35, R36



Wiegand Wiring

Below is a Wiegand wiring example. The diagram shows only **required** wires. You may choose to include additional wires, including gate status.

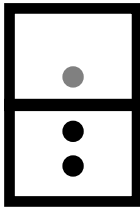




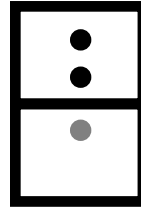
Relay 1 and 2: Normally Open and Normally Closed

Normally Open and Normally Closed can be distinguished by the jumper setup the board uses. The jumper configurations for Normally Open and Normally Closed are shown below. The expansion boards are oriented as they are in the Unify or WXP device. **By default, relays are Normally Open.**

Normally Open

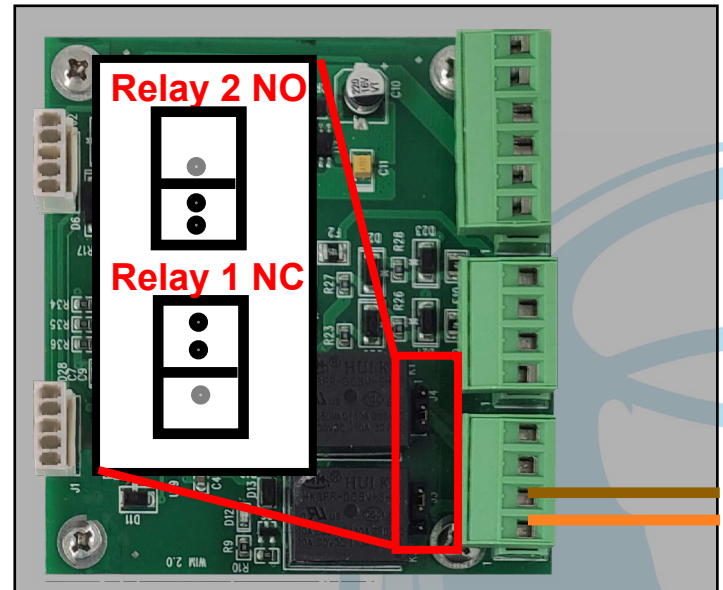
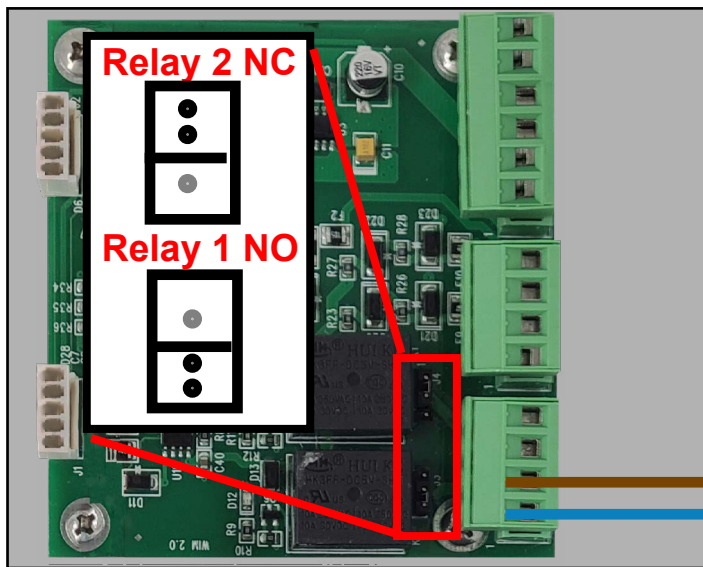


Normally Closed



Normally Open and Normally Closed

Relay 1 and Relay 2 can be Normally Open or Normally Closed. Their states are not dependent upon each other: either relay can be NO or NC. When wiring the expansion board, pay attention to ensure the wiring matches the state of the relay.



For a 12V Magnetic Lock, Normally Closed, set the jumper J4 with 2 pins.

Wiring Standards

Positive: White

Negative: Gray

Normally Open (NO): Blue

Normally Closed (NC): Orange

Common: Brown

Positive Power (when live): Red

Ground: Black

Wiegand 1: White

Wiegand 0: Green

NOTE

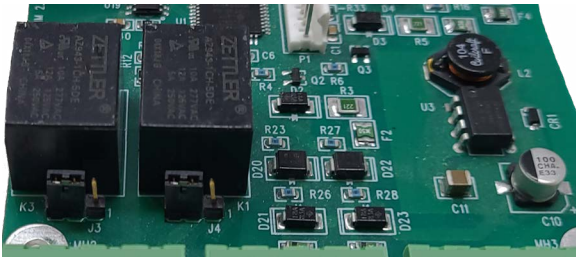
These wiring colors are not required. We use these color standards for clarity in our documents.



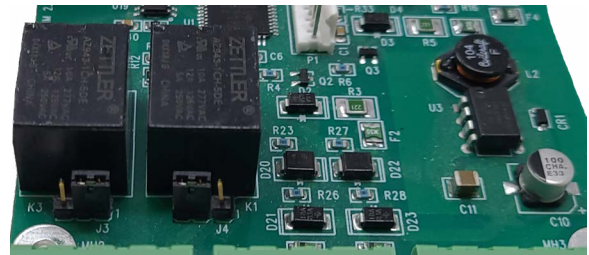
Normally Open and Normally Closed

To further illustrate, possible states for Relay 1 and Relay 2 are illustrated below. The boards are viewed from the side, with emphasis on Jumpers 1 and 2

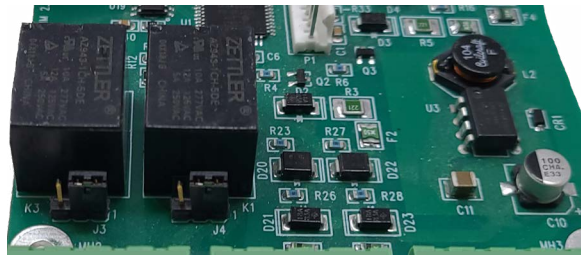
Relay 1 NO, Relay 2 NO



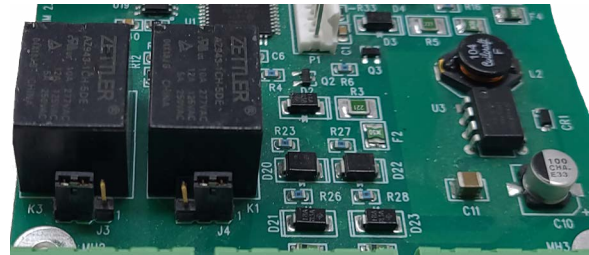
Relay 1 NC, Relay 2 NO



Relay 2 NC, Relay 2 NC

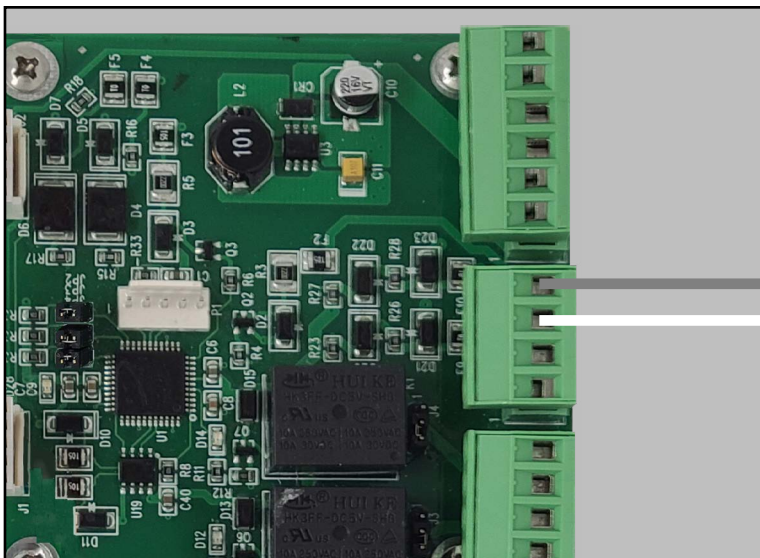


Relay 1 NO, Relay 2 NC



WXP and Unify Wiring

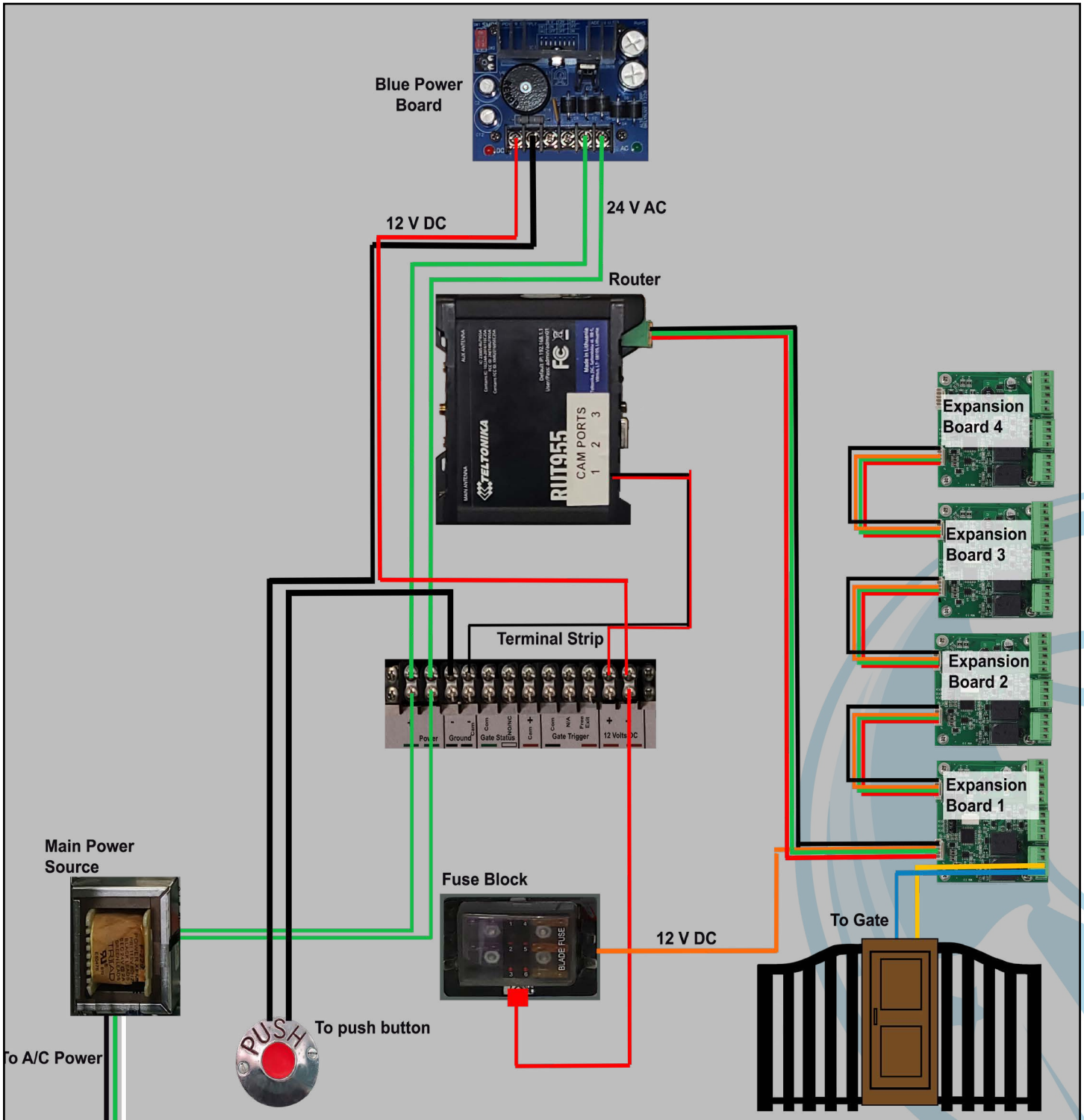
Request to Exit





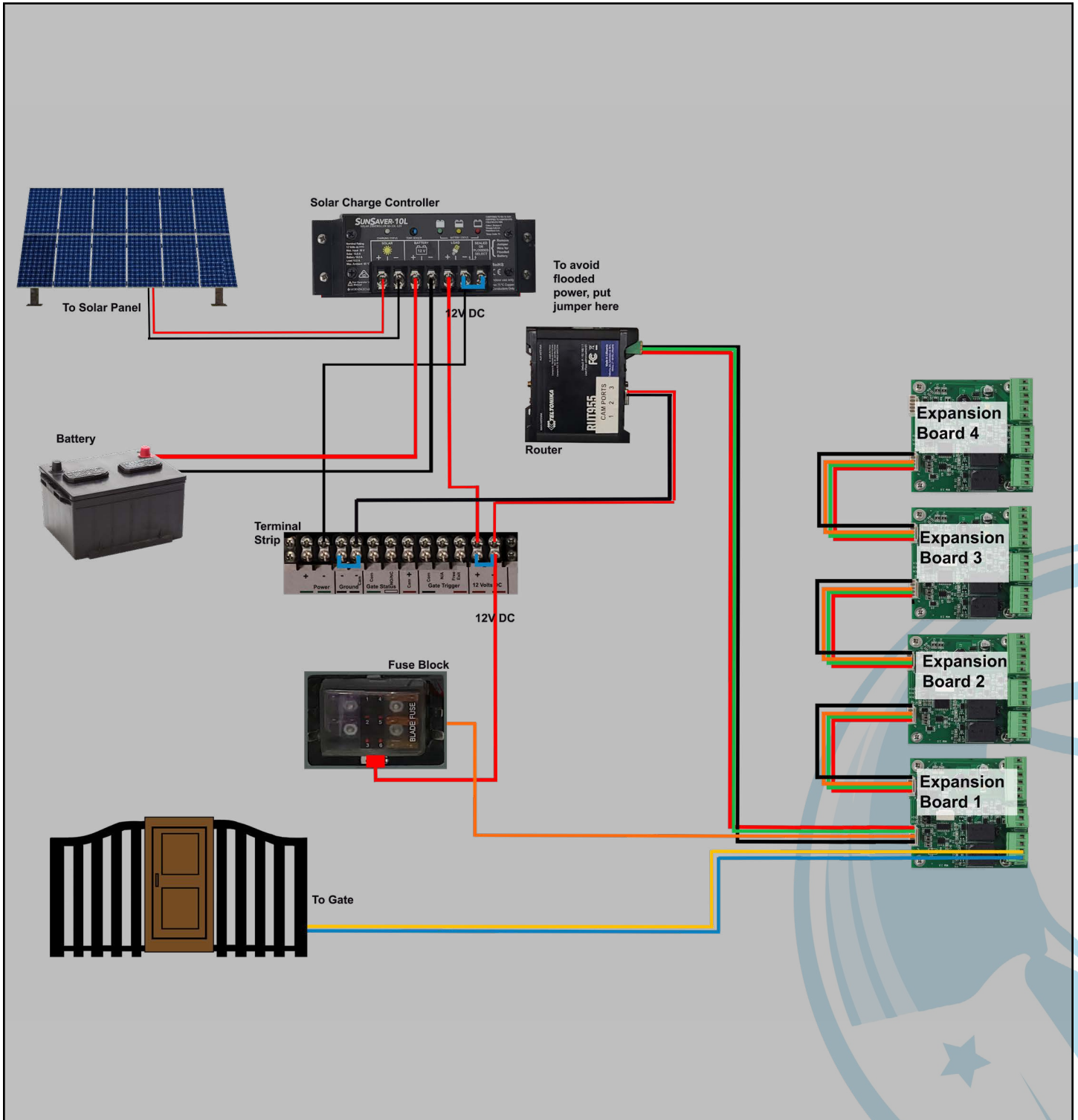
Wiring Diagrams

Unify - A/C



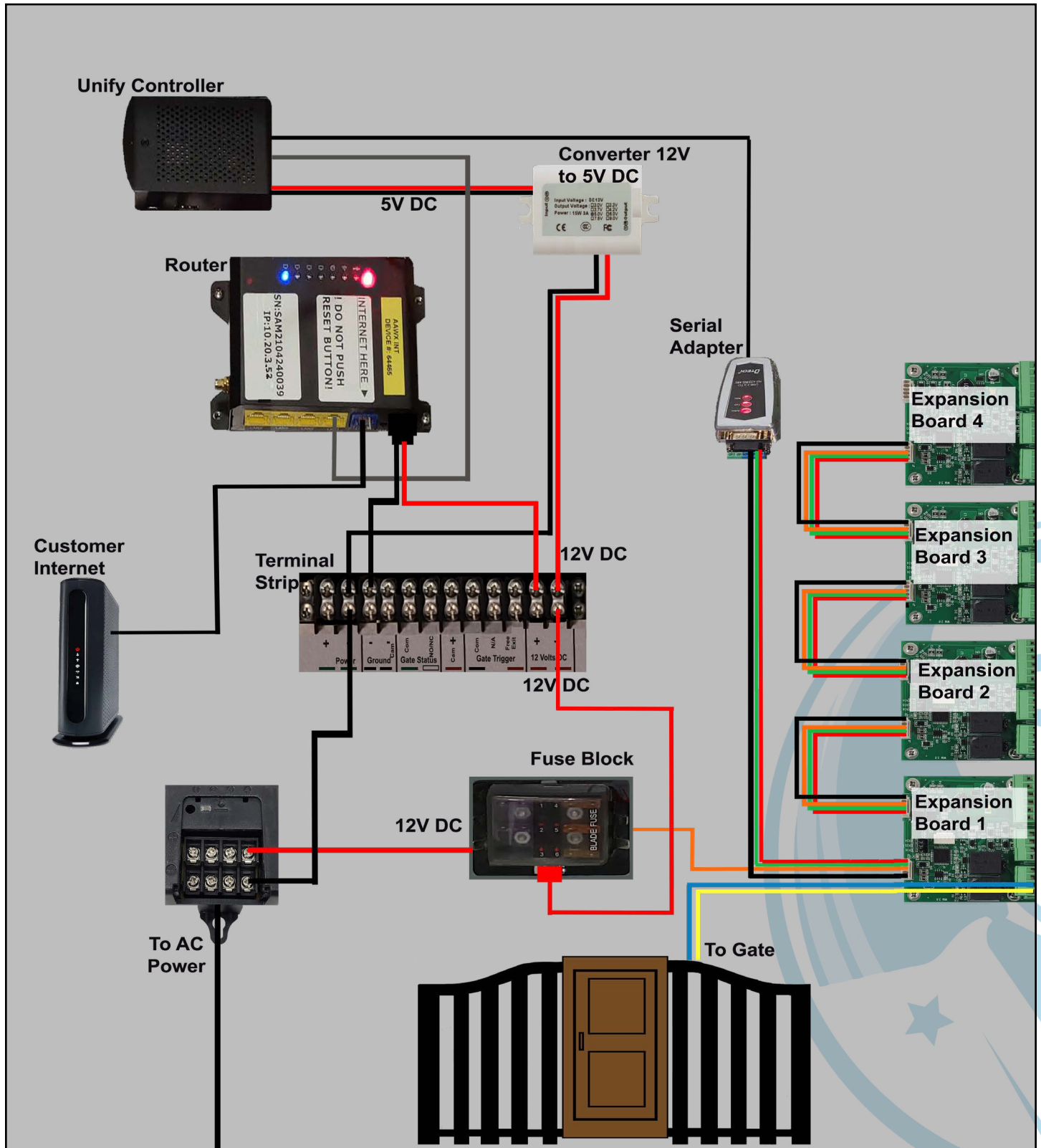


Unify/WXP - Solar





Unify/WXP - Internet





WATCHMAN[®]
Your Virtual Security Guard

by  cellgate

WXP - Cellular

