



# Quick Install Guide

**AA1WPE ATT, AA1WPE VZN**



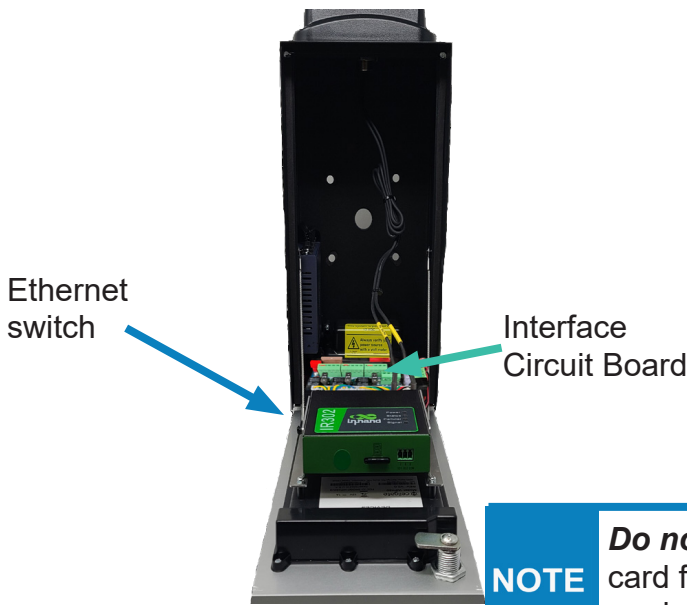
### Items Included in Kit

1. Watchman EVO Unit
2. 12 Volt DC Power Supply
3. Magnetic Read Switch
4. Keys
5. Nuts **X 4**

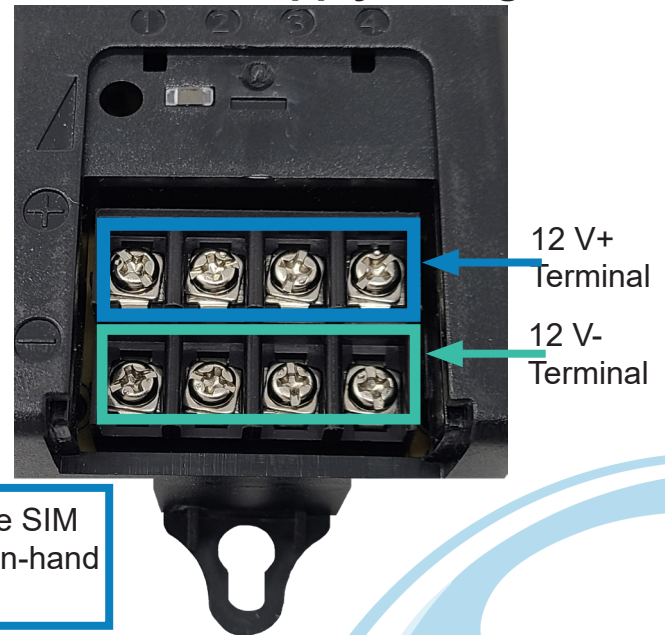
**NOTE** Leave one key with the customer.

6. Bolts **X 4**
7. Quick Install Guide
8. Activation & Test Process
9. Customer Information Packet

### Watchman EVO Unit



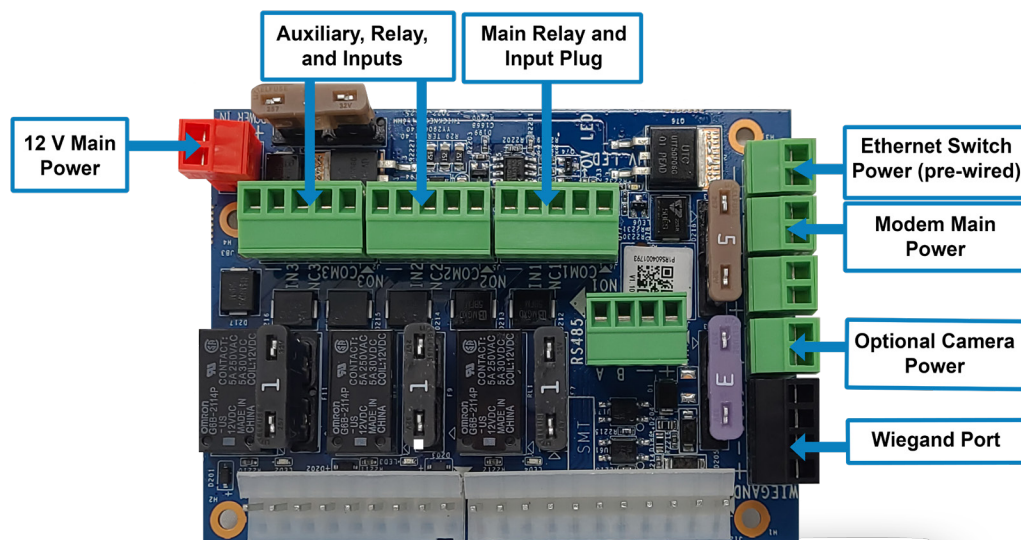
### Power Supply Wiring



**NOTE** Do not remove SIM card from the in-hand modem.

**!** Recommended wiring: 18/6 shielded for main device, and 18/4 shielded for optional Wiegand devices.

### Interface Circuit Board (Oriented the same as the Watchman install)



The circuit board is oriented the same as the Watchman install.

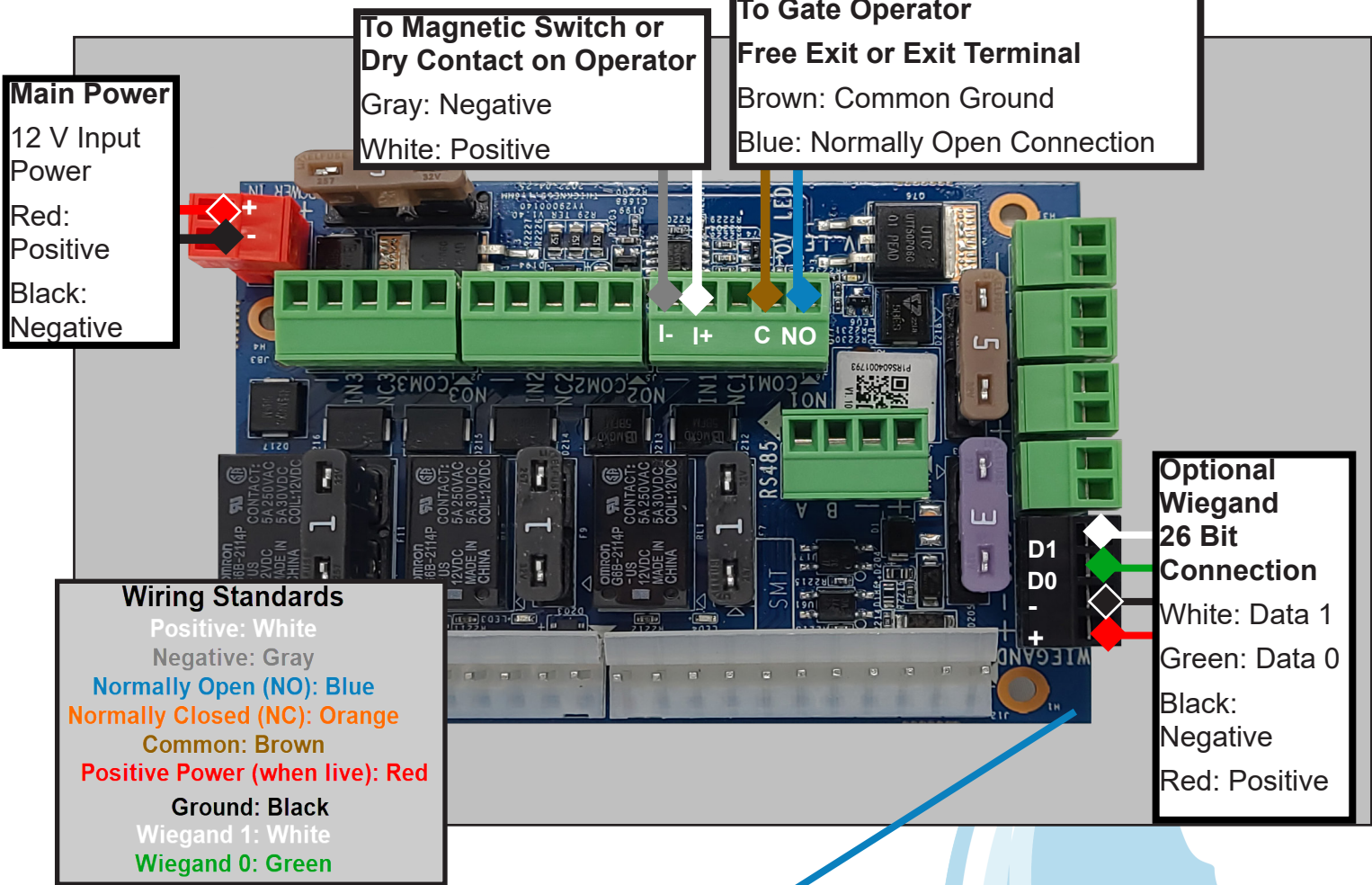
We recommend the following gauges (ga) for each distance:

- 18 ga stranded: up to 25 ft
- 16 ga stranded: up to 50 ft
- 12 ga stranded: up to 60 ft



## Interface Wiring Diagram Oriented the same as the Watchman install

The supplied diode must be used for all magnetic lock installations, or the warranty is voided.



### 6-Wire Installation Instructions

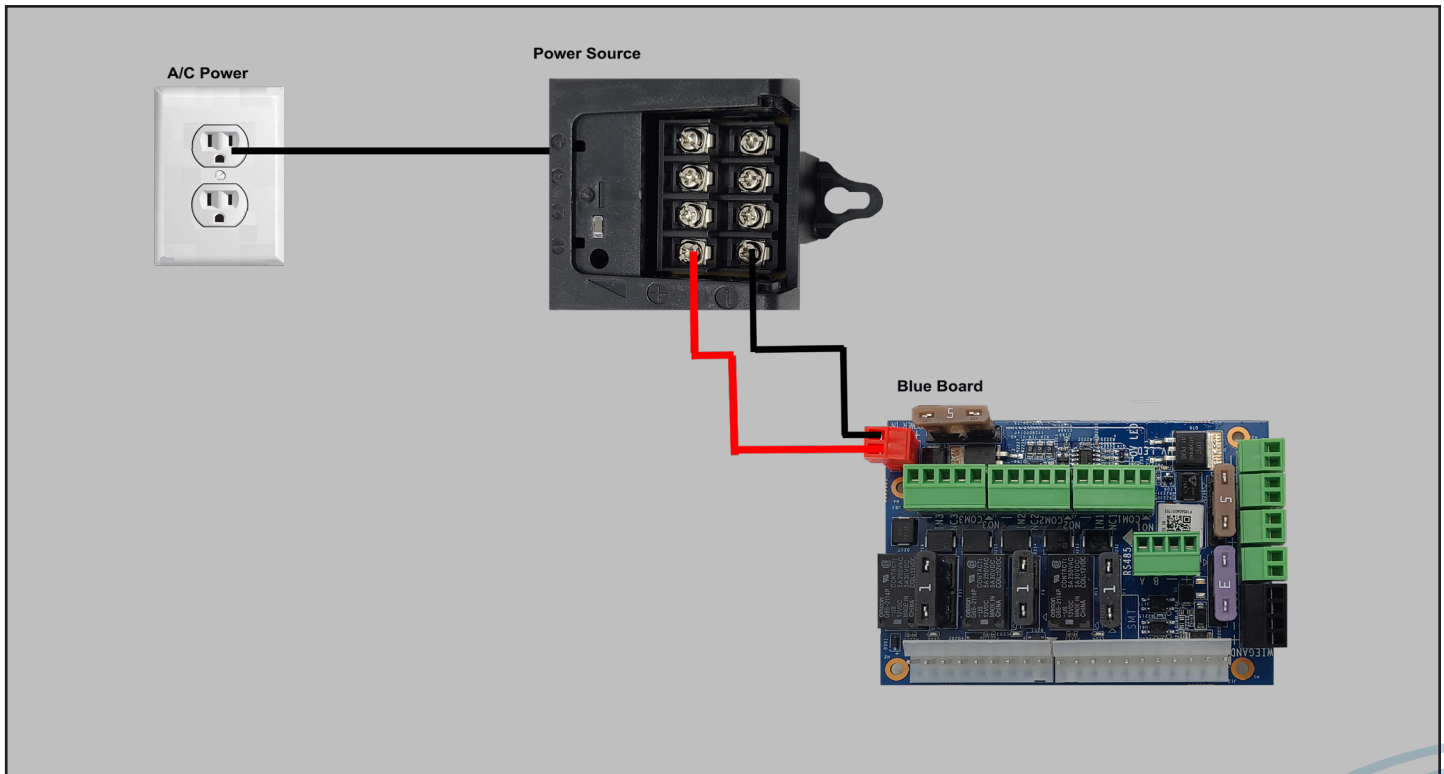
1. Wire main power from transformer to the power connector on circuit board.
2. Connect gate trigger wires from the Normally Open (NO) and Common (C) to the free exit or exit terminals on the gate operator.
3. Connect the gate status wires on the 6 pin connector on the main relay and input plug to the magnetic switch or a Dry Contact, Normally Closed (NC) relay on the gate operator.
4. If using an optional 26-bit reader (keypad, card reader, RFID, or clicker), wire the device to the Wiegand connection on the interface circuit board.
5. Use Camera Guide if adding optional external camera.
6. Activate using test credentials on the Activation & Test Process document.



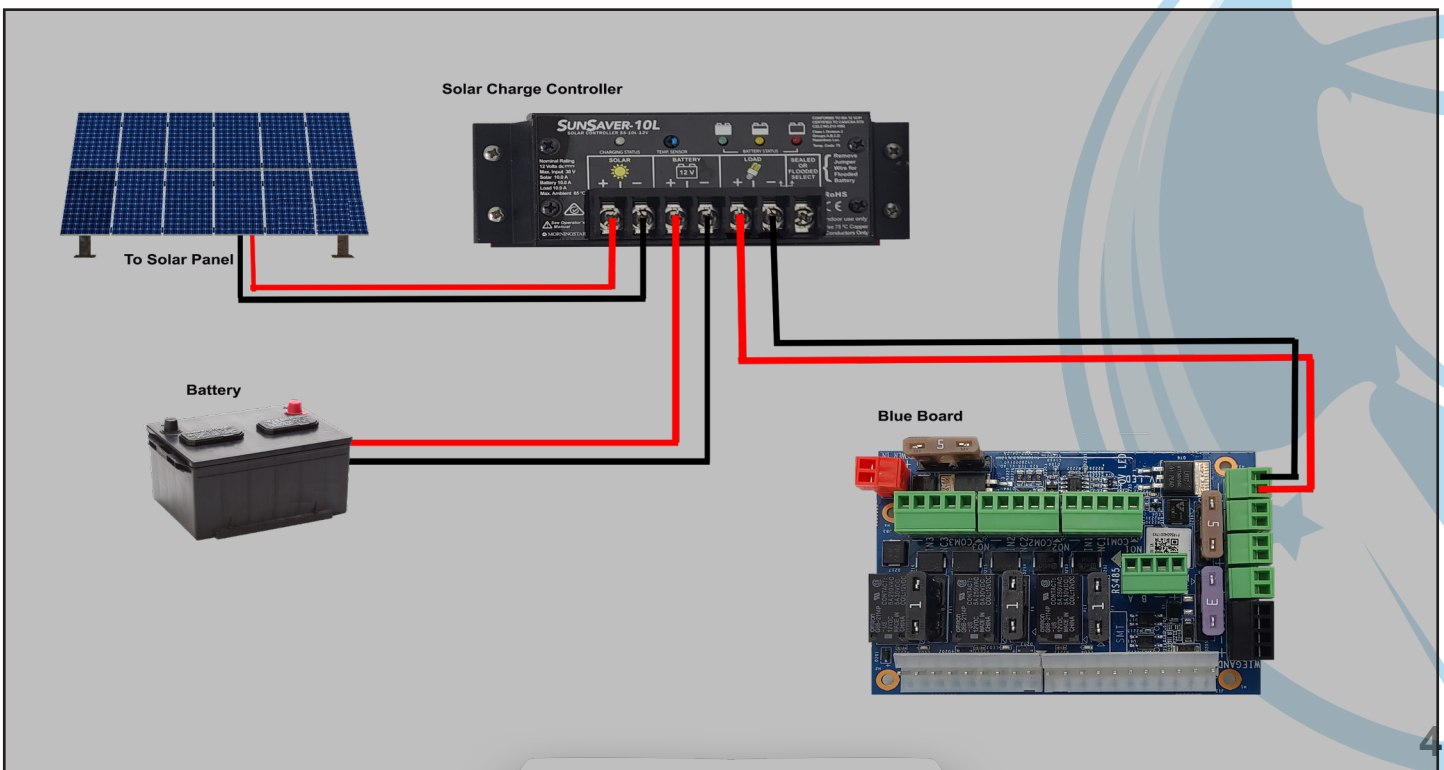




## Wiring with Transformer

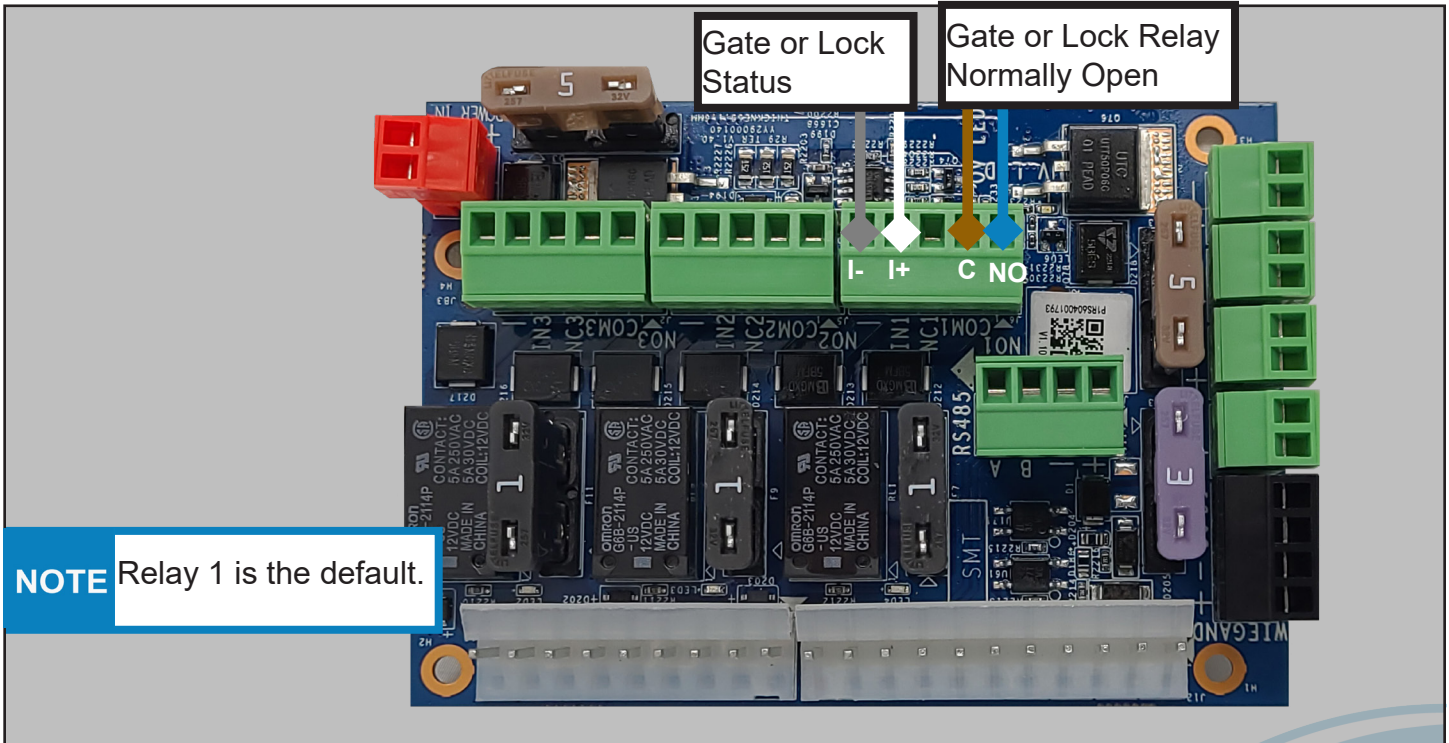


## Wiring for Solar Power

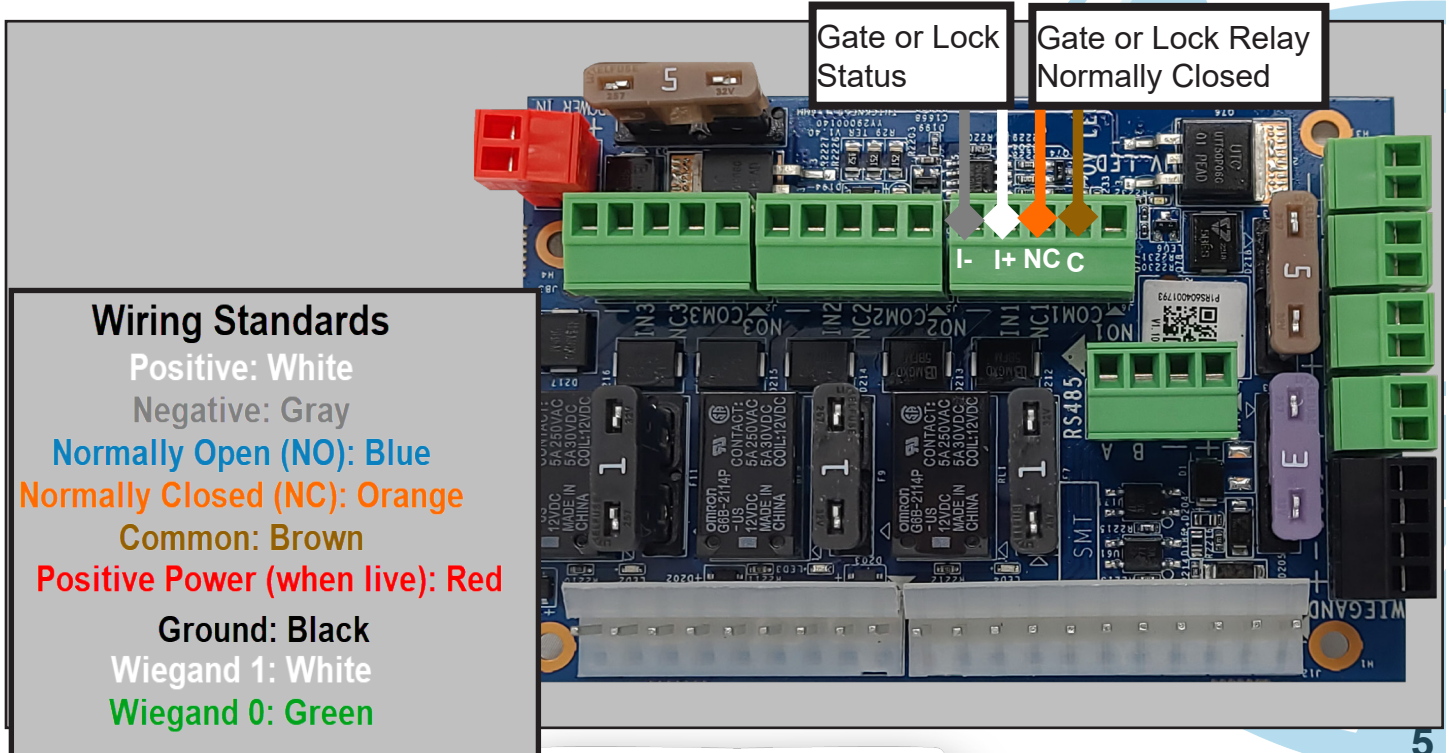




### Dry Contact Relay, Normally Open Dry Contact No Voltage to Lock or Gate



### Dry Contact Relay, Normally Closed Dry Contact No Voltage to Lock or Gate

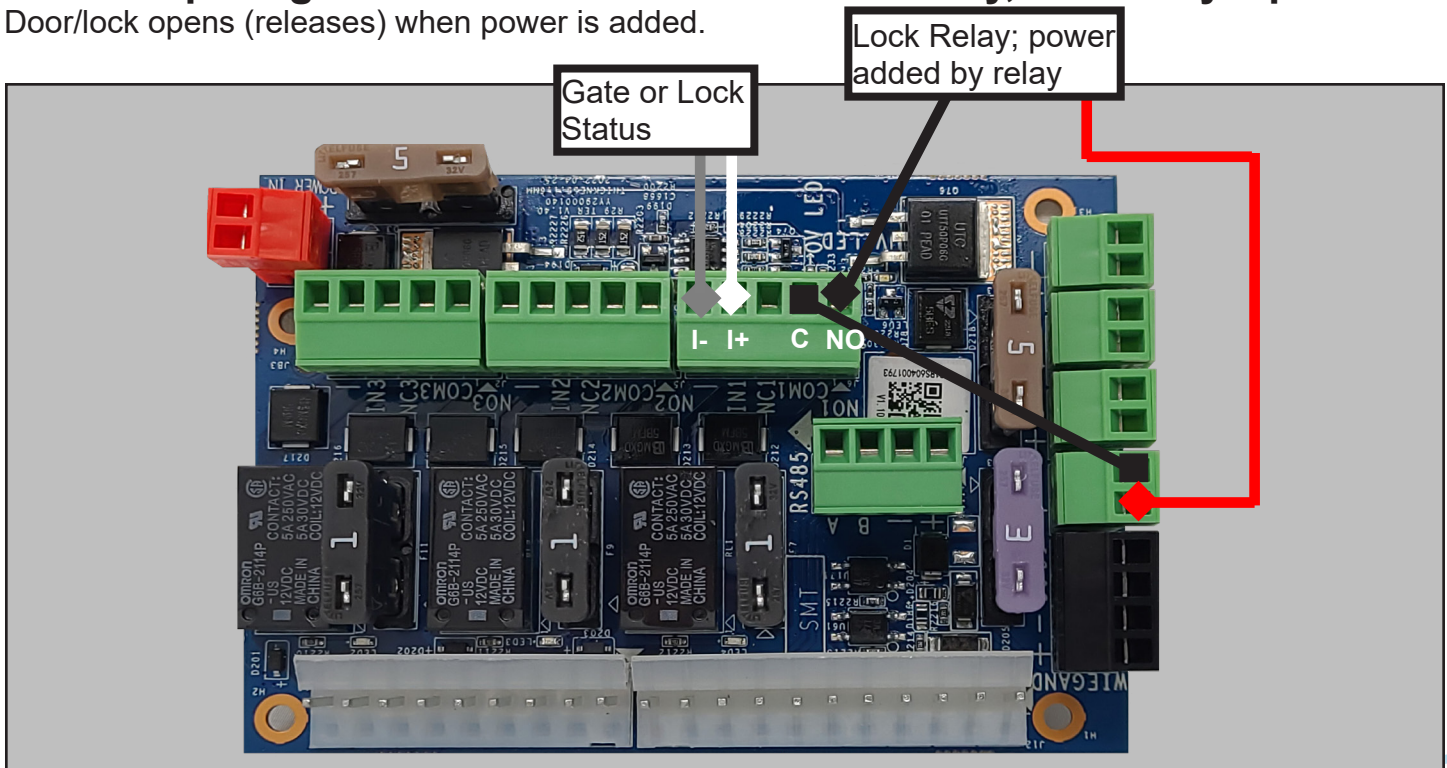






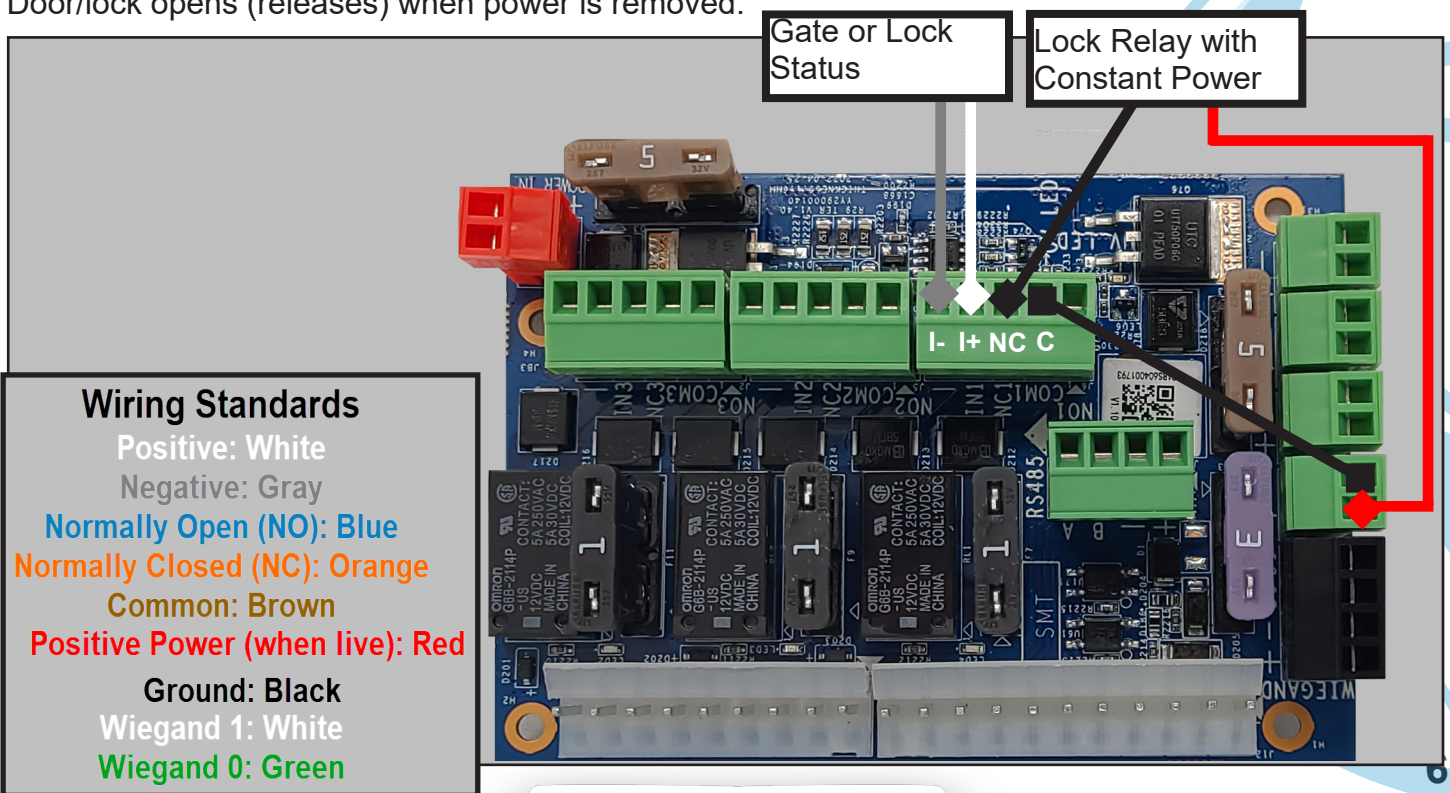
### Lock Requiring Constant 12 V: Wet Contact Relay, Normally Open

Door/lock opens (releases) when power is added.



### Lock Requiring Constant 12 V: Wet Contact Relay, Normally Closed

Door/lock opens (releases) when power is removed.



**Wiring Standards**

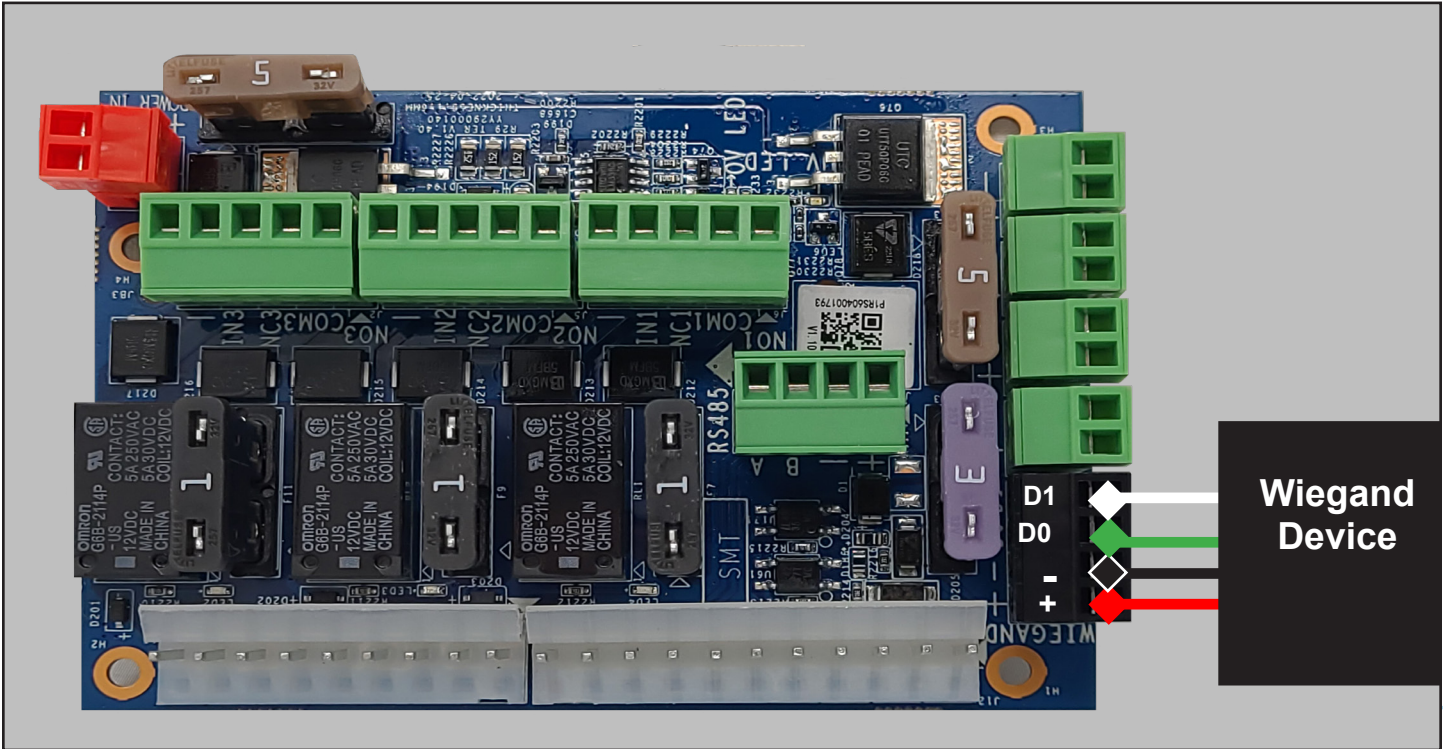
- Positive: White
- Negative: Gray
- Normally Open (NO): Blue
- Normally Closed (NC): Orange
- Common: Brown
- Positive Power (when live): Red
- Ground: Black
- Wiegand 1: White
- Wiegand 0: Green



**WATCHMAN®**  
Your Virtual Security Guard

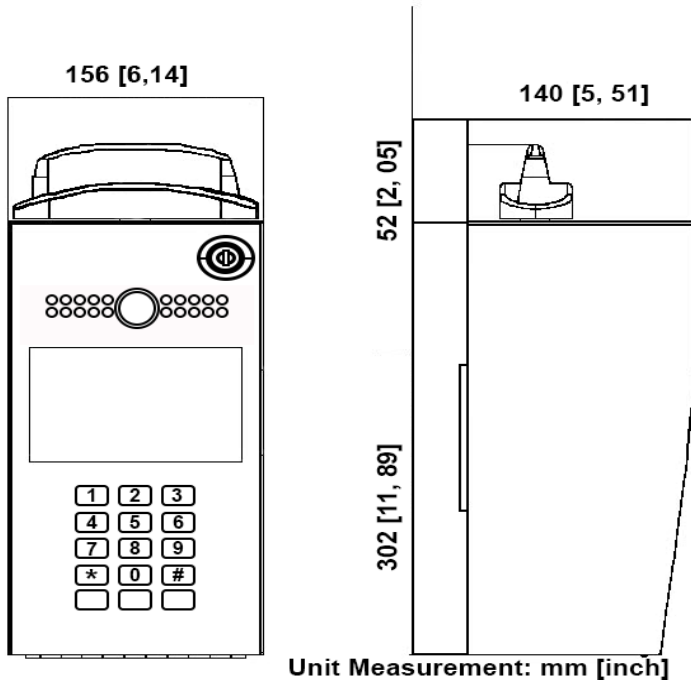
by  **cellgate**

## Wiegand Wiring to Board and Direct to Faceplate, 26 Bit Reader To Interface Board

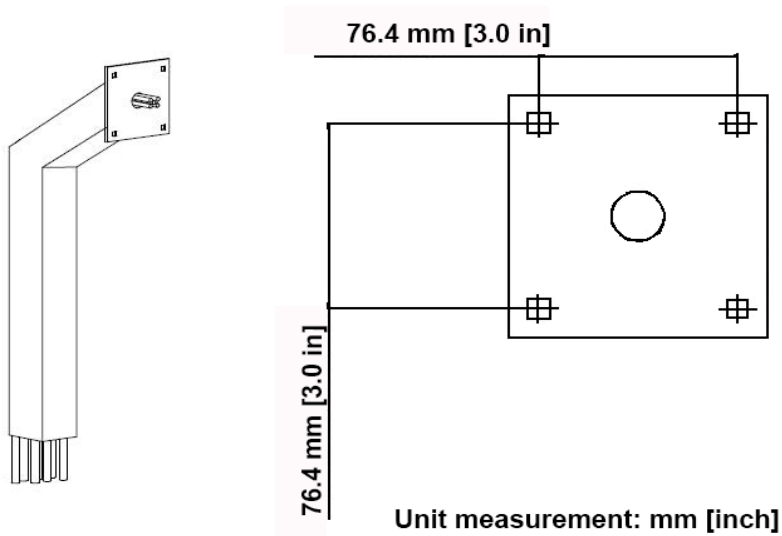




## Magnetic Switch Wiring



## Mounting to Standard Pedestal Mount







**WATCHMAN**<sup>®</sup>  
Your Virtual Security Guard

by  cellgate

## Mounting to Standard Pedestal Mount (continued)

