



Quick Install Guide



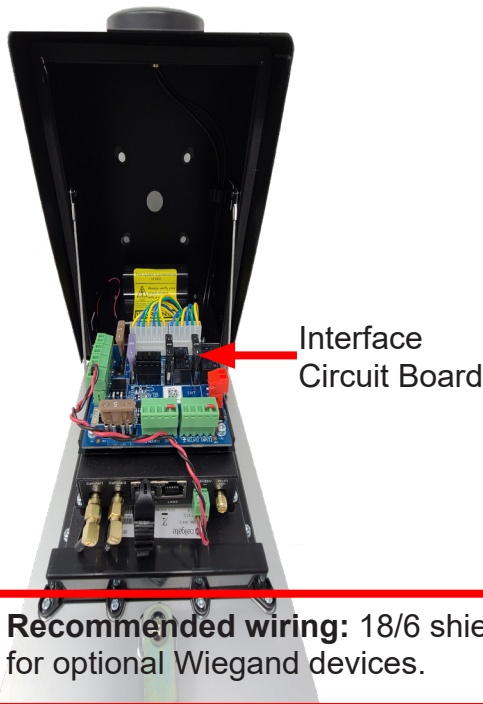
Items Included in Kit

1. W410 Unit
2. 12 Volt DC Power Supply
3. Magnetic Read Switch
4. Keys
5. Nuts **X 4**

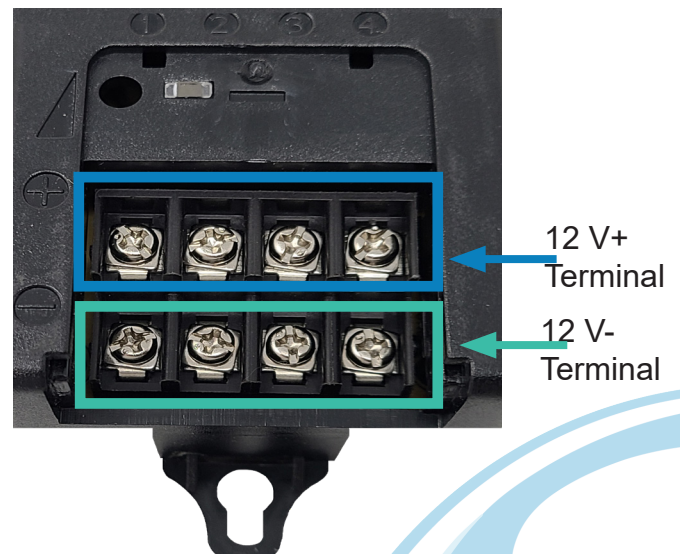
NOTE Leave one key with the customer.

6. Bolts **X 4**
7. Quick Install Guide
8. Activation & Test Process
9. Customer Information Packet

W410 Unit

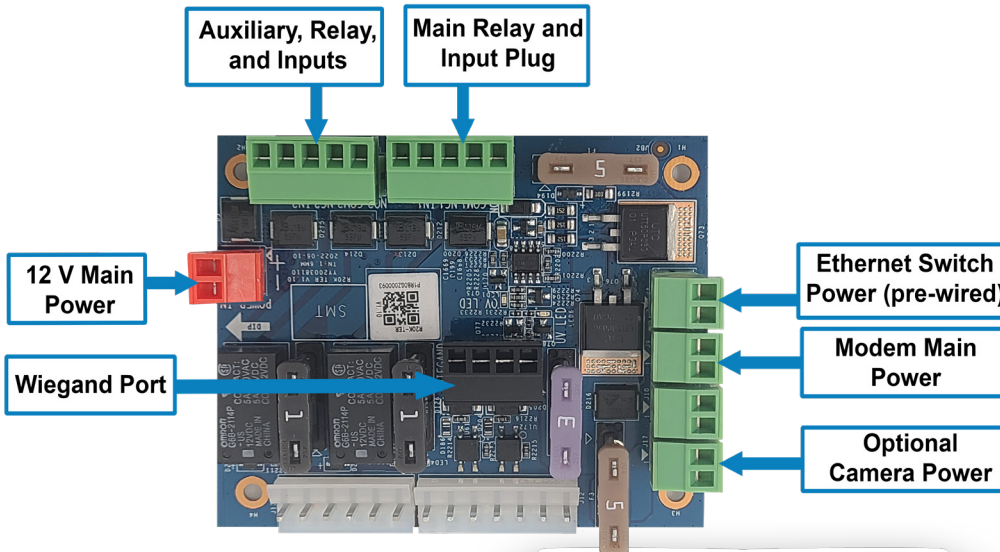


Power Supply Wiring



! Recommended wiring: 18/6 shielded for main device, and 18/4 shielded for optional Wiegand devices.

Interface Circuit Board



The circuit board is oriented the same as the Watchman install.

We recommend the following gauges (ga) for each distance:

- 18 ga stranded: up to 25 ft
- 16 ga stranded: up to 50 ft
- 12 ga stranded: up to 60 ft



Interface Wiring Diagram (Oriented the same as the Watchman install)

! The supplied diode must be used for all magnetic lock installations, or the warranty is voided.

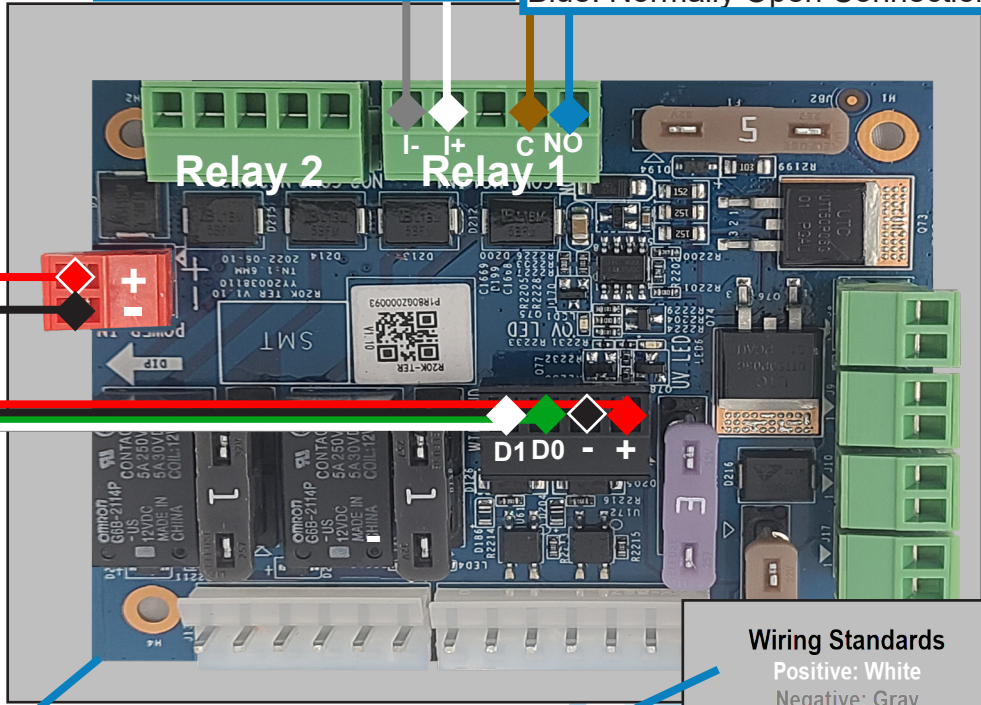
! 18 Gauge Wire Minimum for Install

To Magnetic Switch or Dry Contact on Operator
Gray: Negative
White: Positive

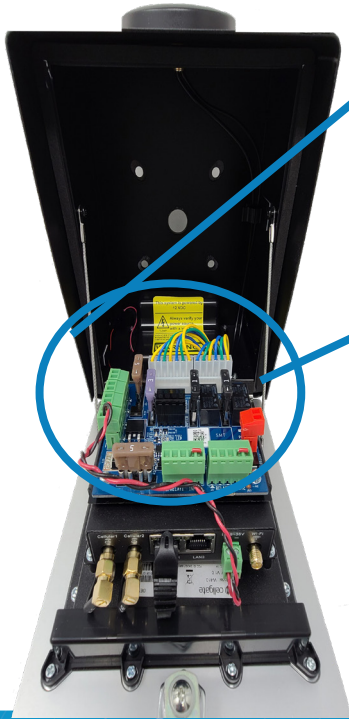
To Gate Operator
Free Exit or Exit Terminal
Brown: Common Ground
Blue: Normally Open Connection

Main Power
12 V Input Power
Red: Positive
Black: Negative

Optional Wiegand 26 Bit Connection
Red: Positive
Black: Negative
Green: Data 0
White Data 1



Wiring Standards
Positive: White
Negative: Gray
Normally Open (NO): Blue
Normally Closed (NC): Orange
Common: Brown
Positive Power (when live): Red
Ground: Black
Wiegand 1: White
Wiegand 0: Green

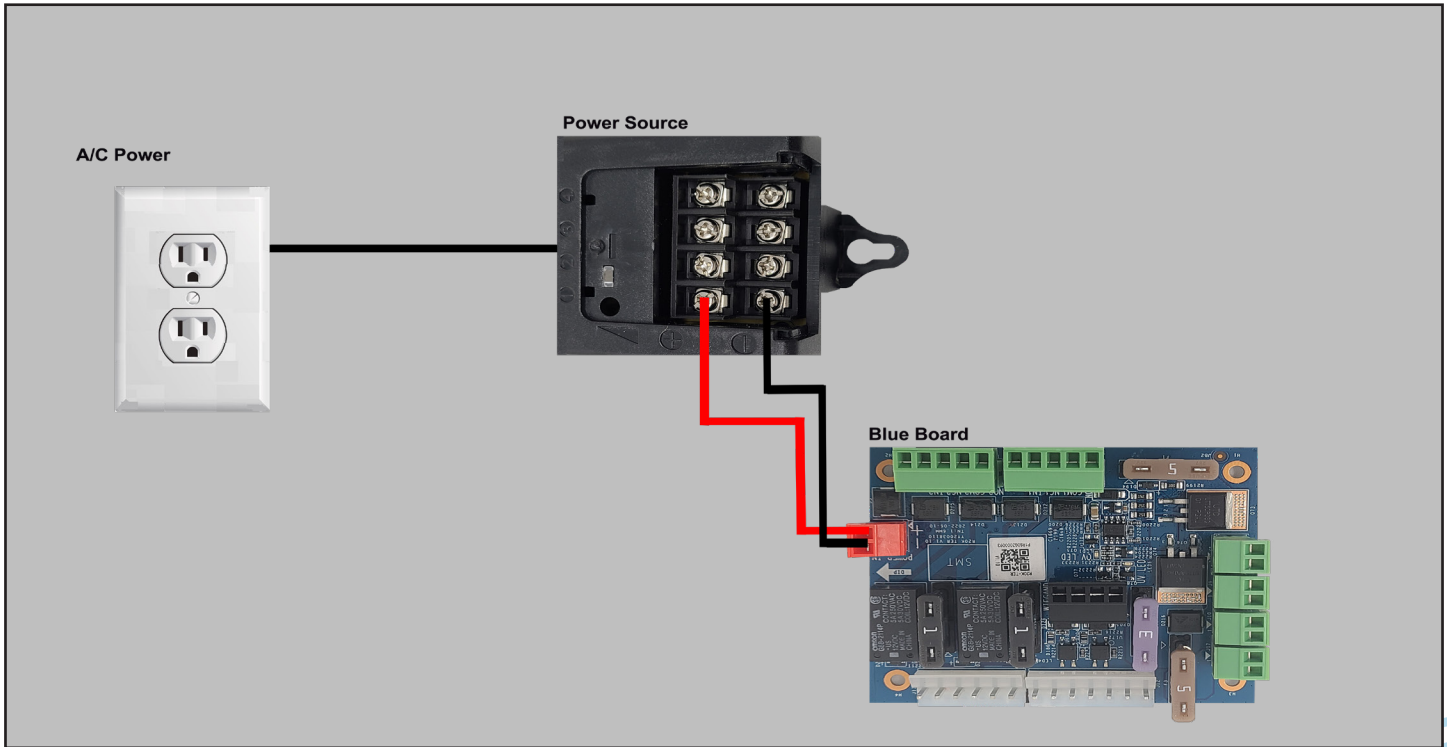


6-Wire Installation Instructions

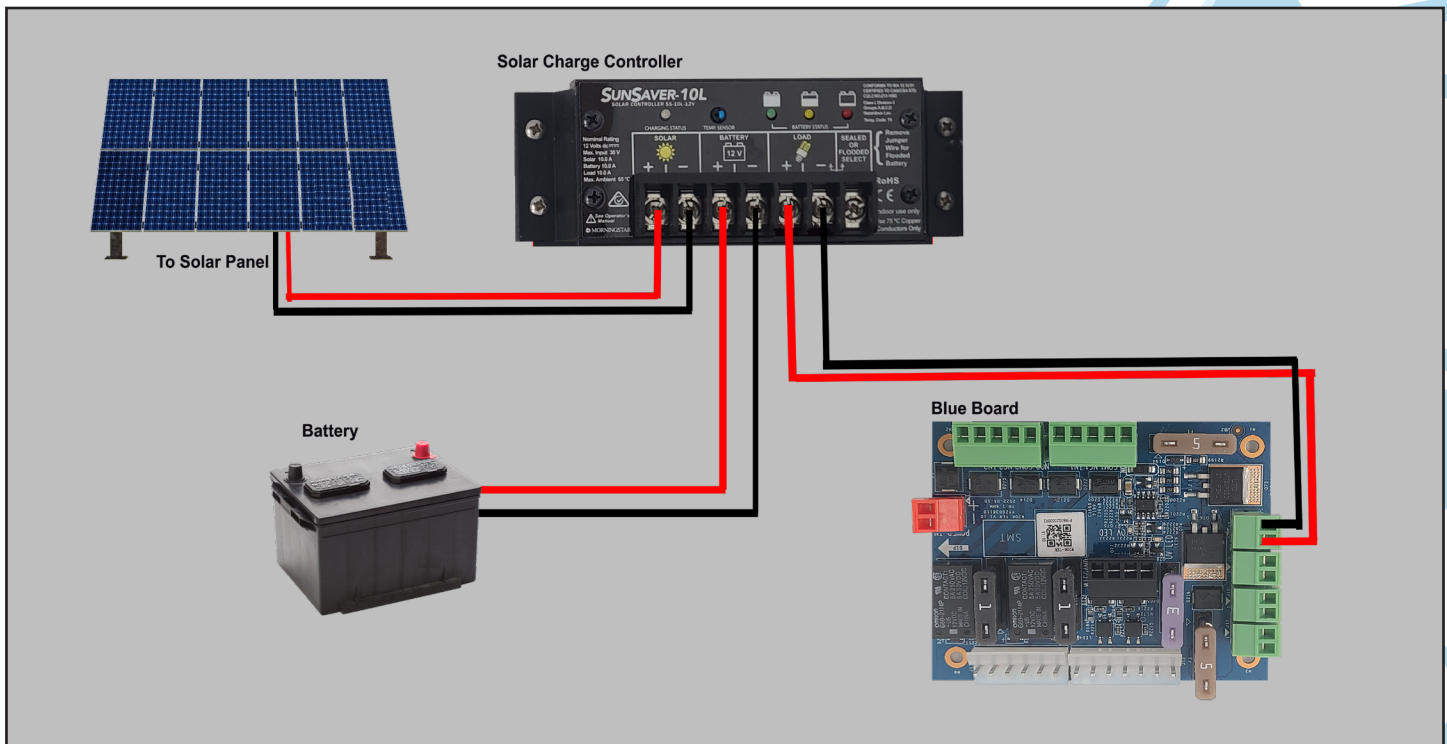
1. Wire main power from the transformer to the power connector on the circuit board.
2. Connect gate trigger wires from the Normally Open (NO) and Common (C) to the free-exit or exit terminals on the gate operator.
3. Connect the gate status wires on the 6-pin connector on the main relay and input plug to the magnetic switch or a Dry Contact, Normally Closed (NC) relay on the gate operator.
4. If using an optional 26-bit reader (e.g., keypad, card reader, RFID, clicker), wire the device to the Wiegand connection on the interface circuit board.



Wiring with Transformer

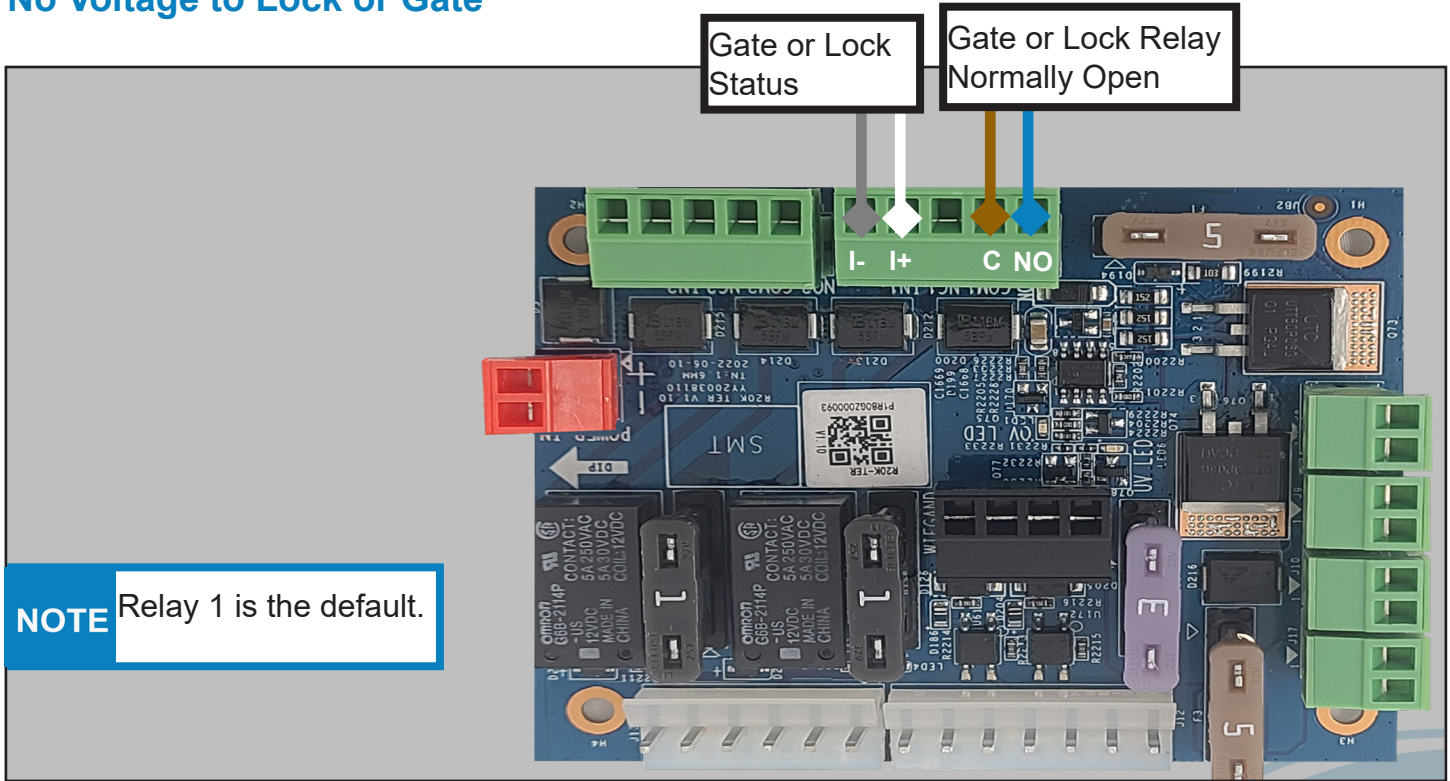


Wiring for Solar Power

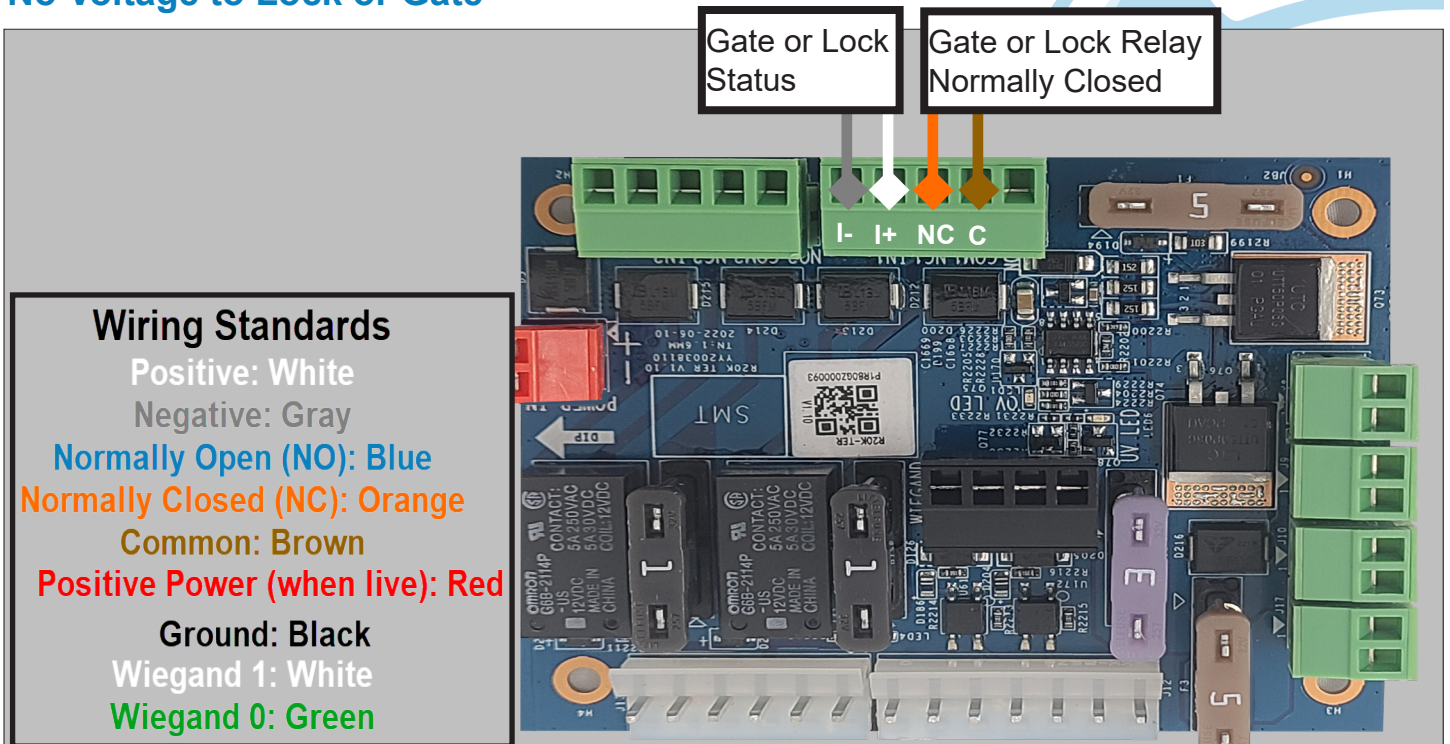




Dry Contact Relay, Normally Open Dry Contact No Voltage to Lock or Gate



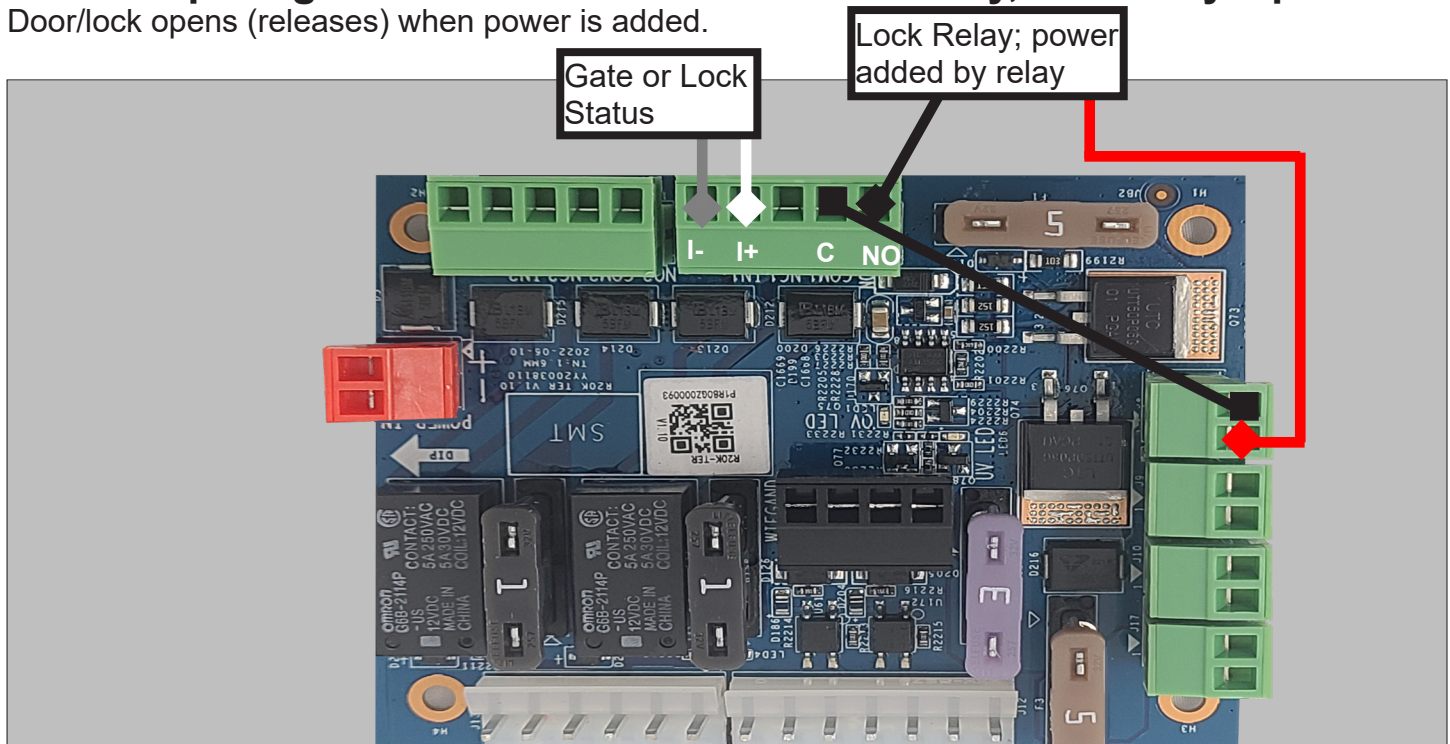
Dry Contact Relay, Normally Closed Dry Contact No Voltage to Lock or Gate





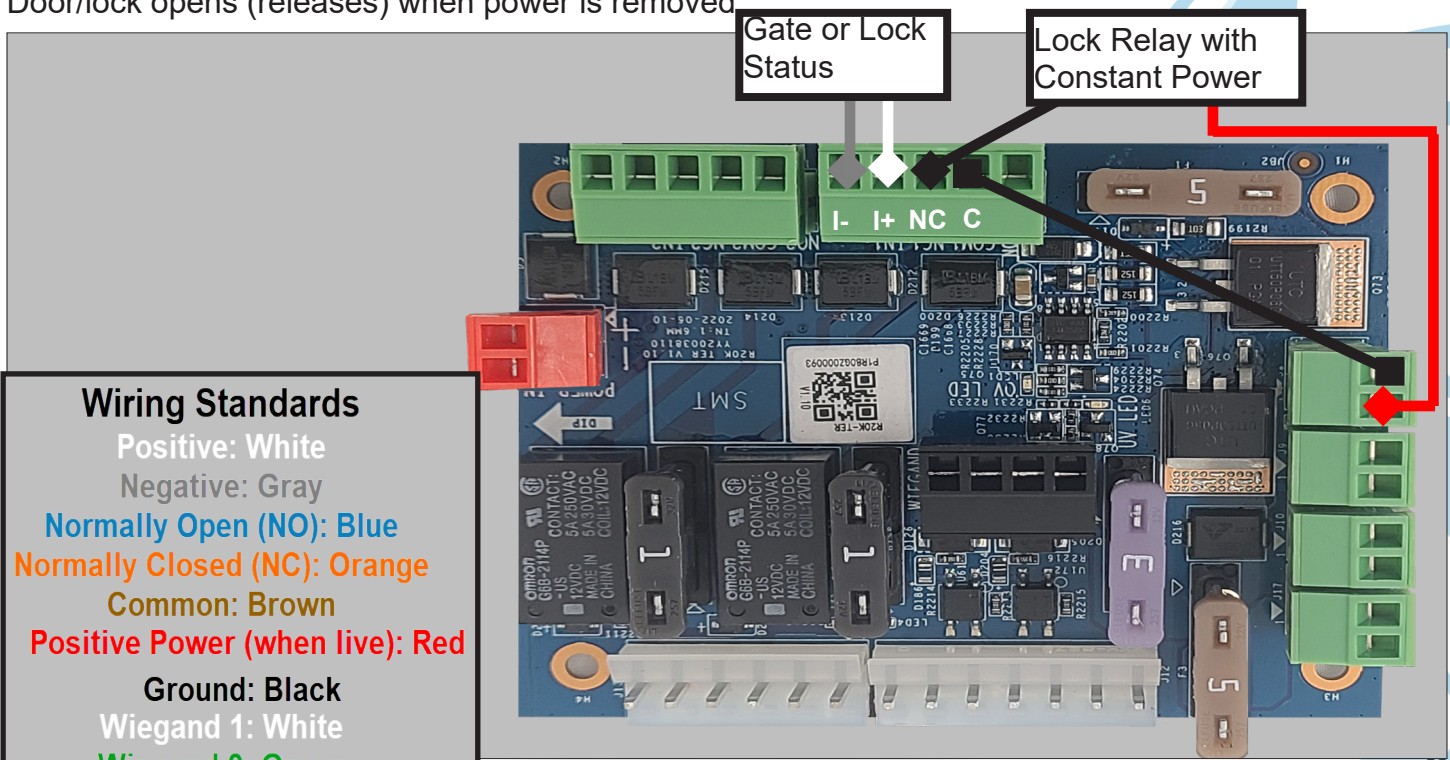
Lock Requiring Constant 12 V: Wet Contact Relay, Normally Open

Door/lock opens (releases) when power is added.



Lock Requiring Constant 12 V: Wet Contact Relay, Normally Closed

Door/lock opens (releases) when power is removed

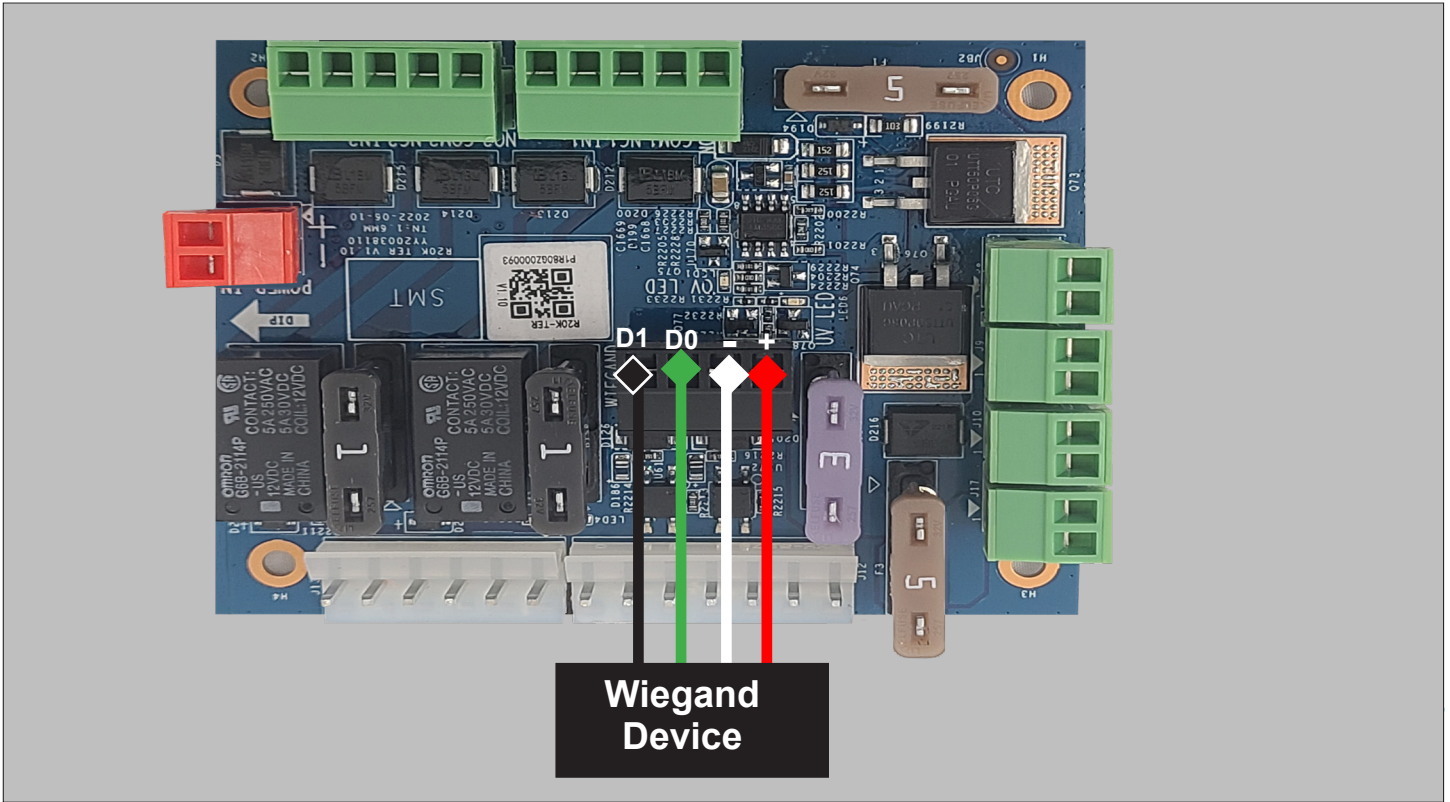


Wiring Standards

- Positive: White
- Negative: Gray
- Normally Open (NO): Blue
- Normally Closed (NC): Orange
- Common: Brown
- Positive Power (when live): Red
- Ground: Black
- Wiegand 1: White
- Wiegand 0: Green



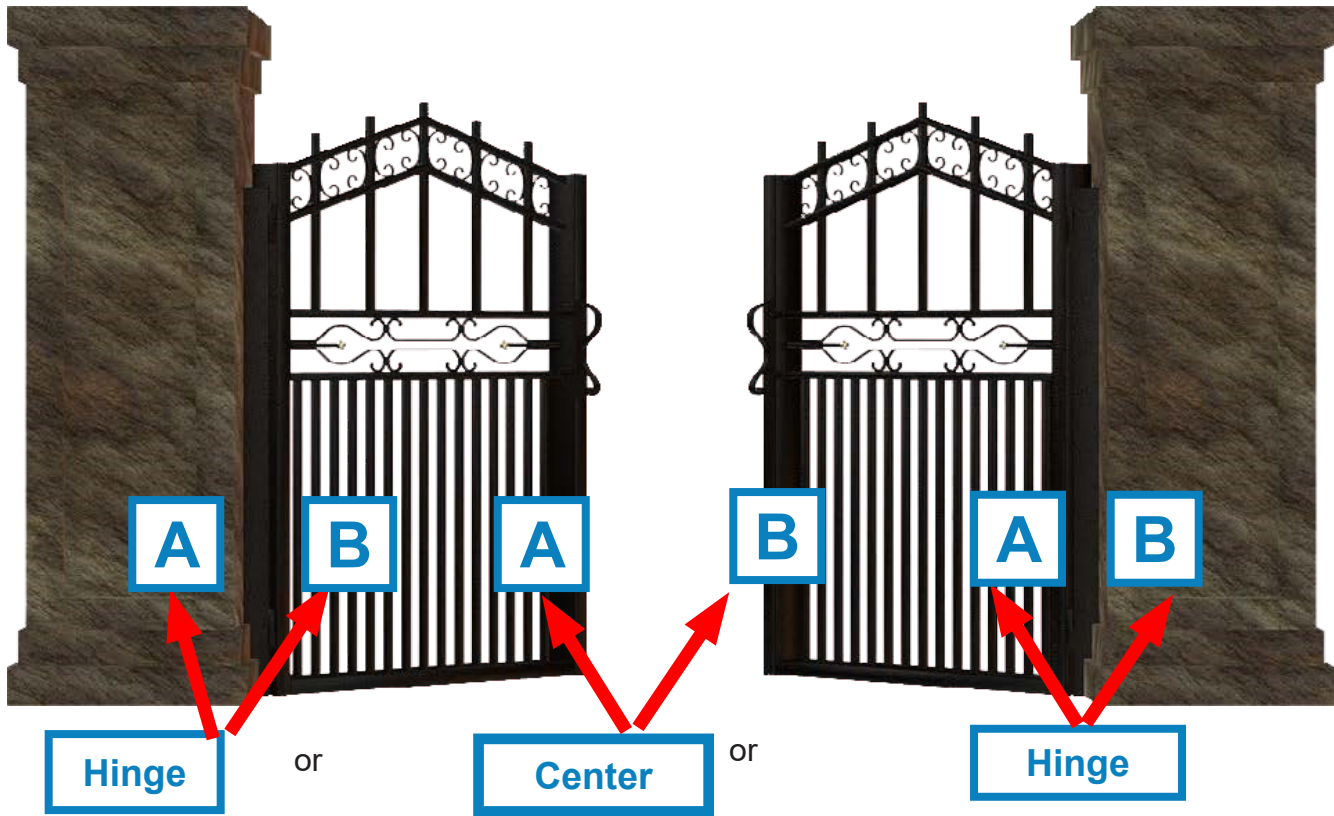
Wiegand Wiring to Board and Direct to Faceplate, 26 Bit Reader To Interface Board



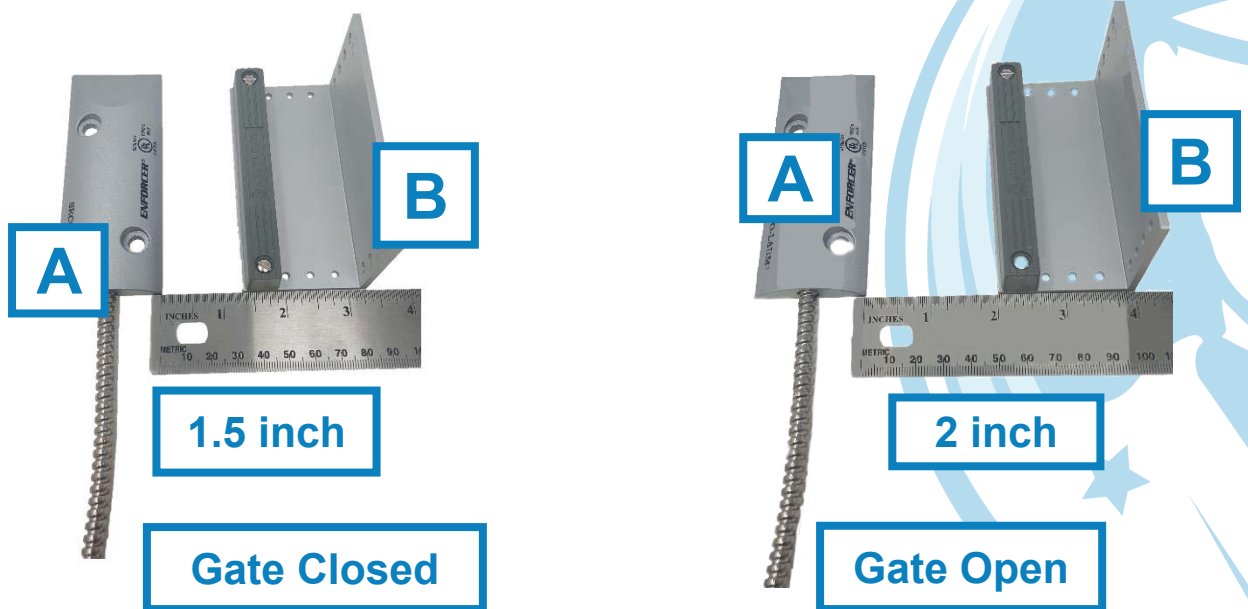


WATCHMAN[®]
Your Virtual Security Guard

by  cellgate




The Mag Switch can be placed anywhere that allows A and B to be pulled at least 2 inches away from each other when the gate is open and within 1.5 inches when the gate is closed.



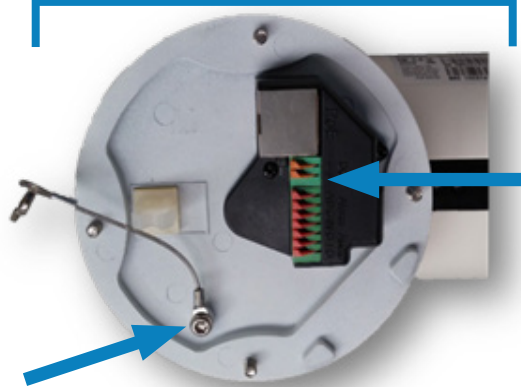
NOTE Gate statuses can be inverted. If needed, please call CellGate to invert.



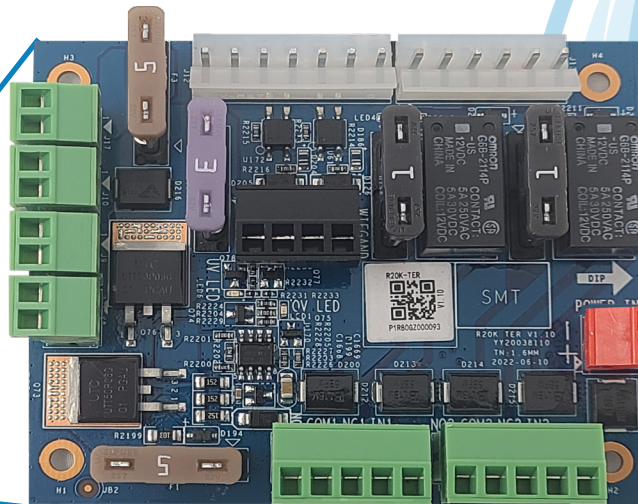
Optional External Camera Wiring Diagram

 Do not make electrical connections to camera with the system energized. This will damage the camera and is not covered under the camera warranty.

 18 Gauge Wire Minimum for Install



Ethernet Connector



12 V Main Power

Modem Main Power

12 V Camera Power

Additional 12 V Inputs