



Quick Install Guide

AA1MSE ATT, AA1MSE VSN,
AA1MSE WP ATT, AA1MSE WP VZN,
AA1MSE WP INT



Items Included in Kit

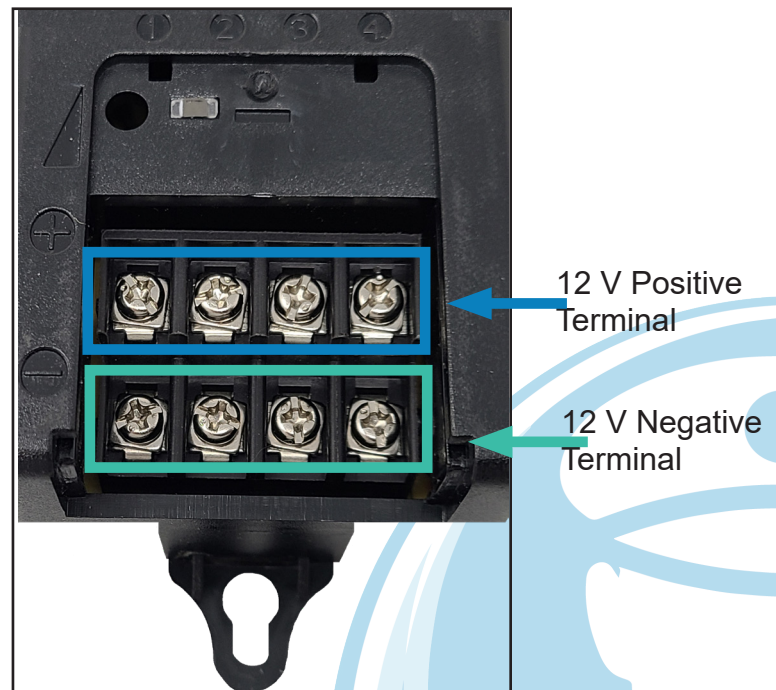
Your shipment includes the following:

1. Watchman Unit
2. 12 Volt DC Power Supply
3. Magnetic Read Switch
4. Quick Install Guide
5. Activation & Test Process
6. Customer Information Packet
7. Box that houses unit and its mounting instructions
8. Box for router

461 Watchman Unit



Power Supply Wiring



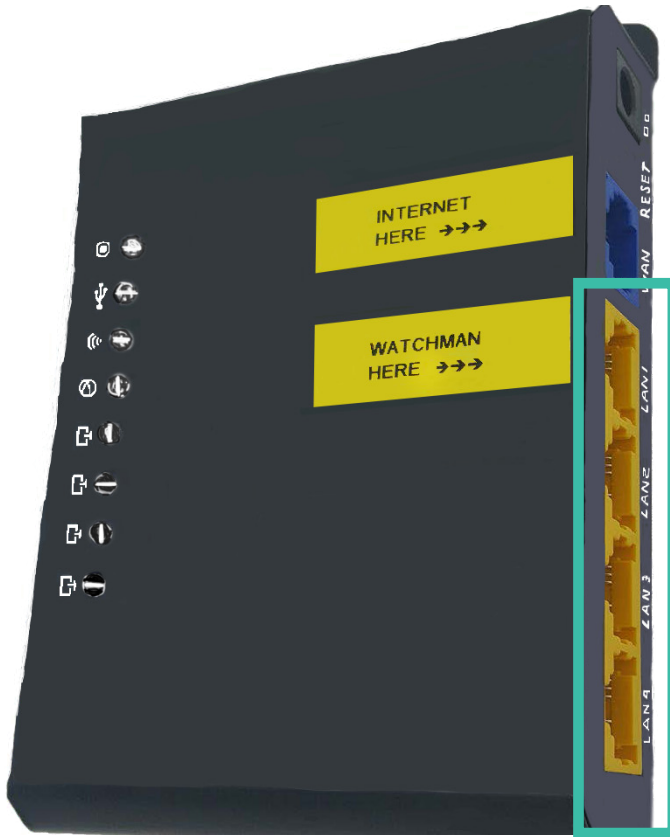
Recommended wiring: 18/6 shielded for main device, and 18/4 shielded for optional Wiegand devices.

We recommend the following gauges (ga) for each distance:

- 18 ga stranded: up to 25 ft
- 16 ga stranded: up to 50 ft
- 12 ga stranded: up to 60 ft



Internet Router Connection



← Plug customer Internet into the blue port.

← Plug Watchman into any yellow port. The port is DHCP enabled.

← Plug optional external cameras into any yellow port.

DHCP

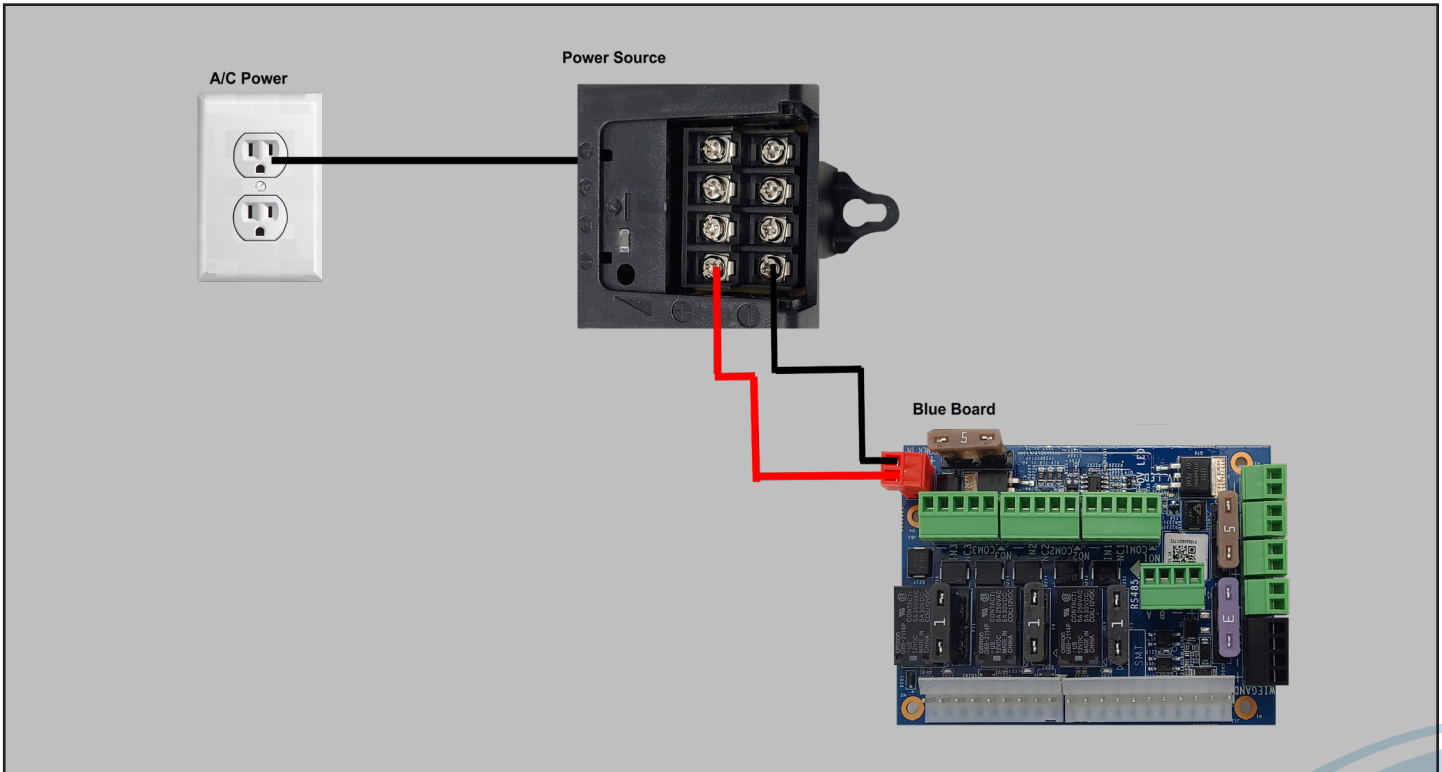
We use DHCP (Dynamic Host Configuration Protocol) to assign an IP address to each Watchman device. The IP address indicates where the device is on your network.

With DHCP, you don't have to configure your network devices manually. It allows you to plug and play with your device.

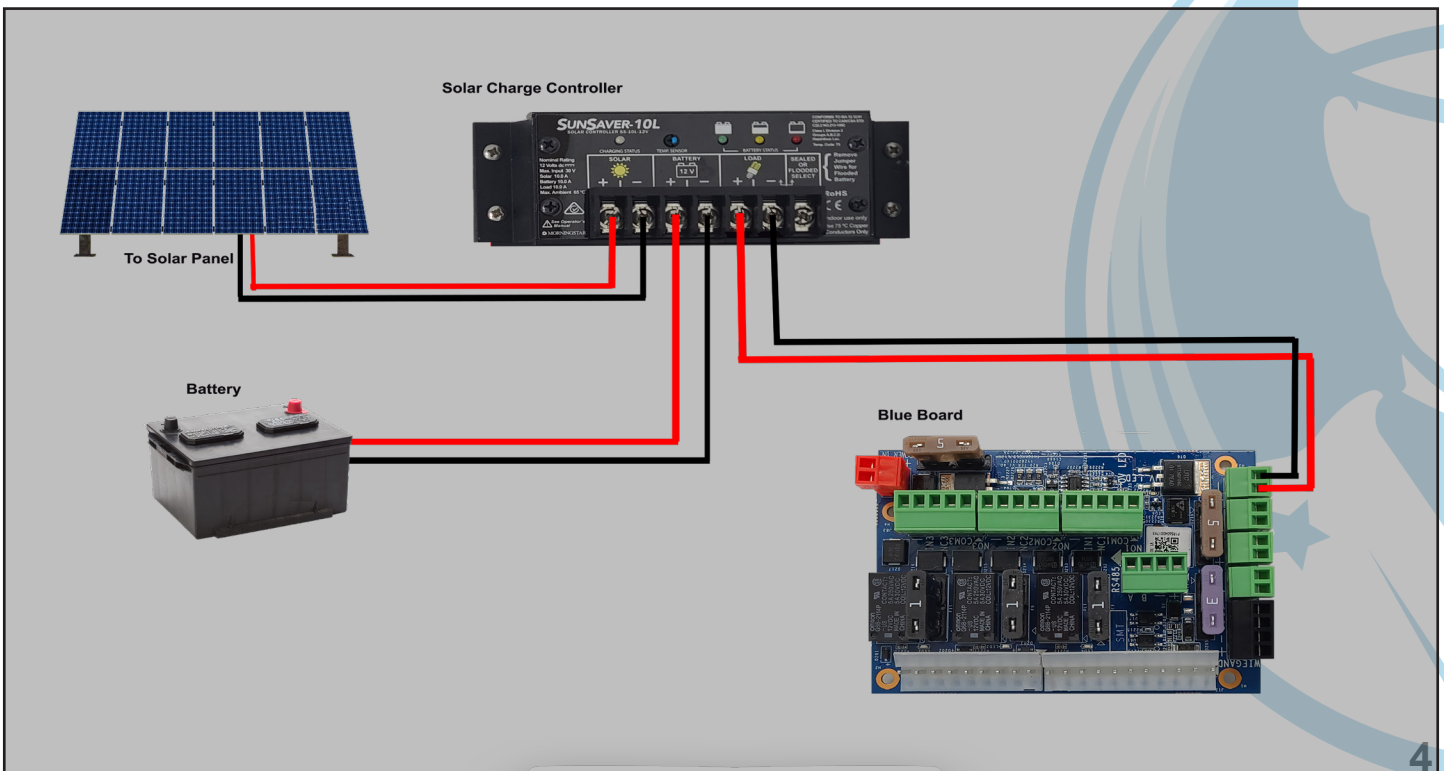
Record your device's IP address here: _____



Wiring with Transformer



Wiring for Solar Power

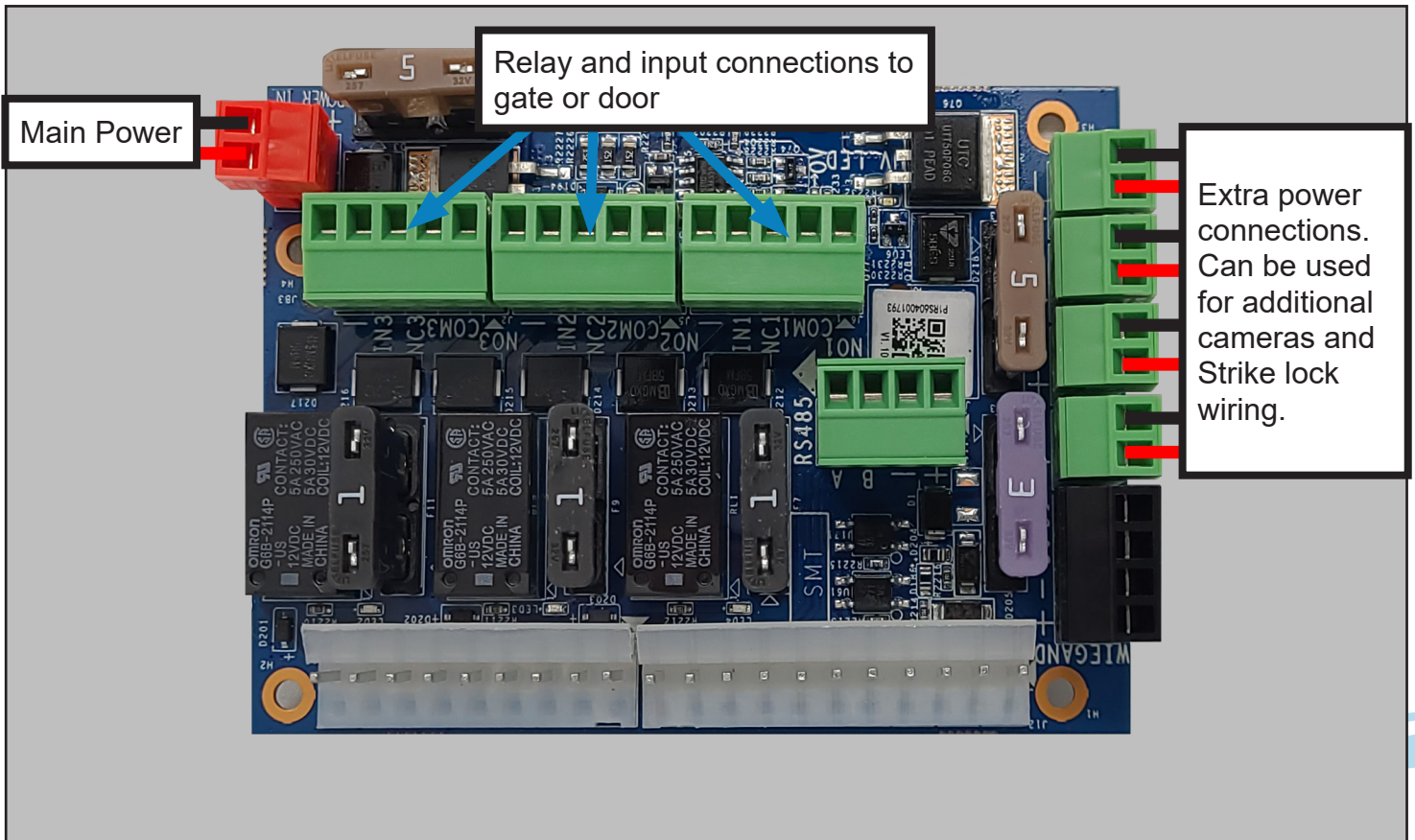




WATCHMAN[®]
Your Virtual Security Guard

by  cellgate

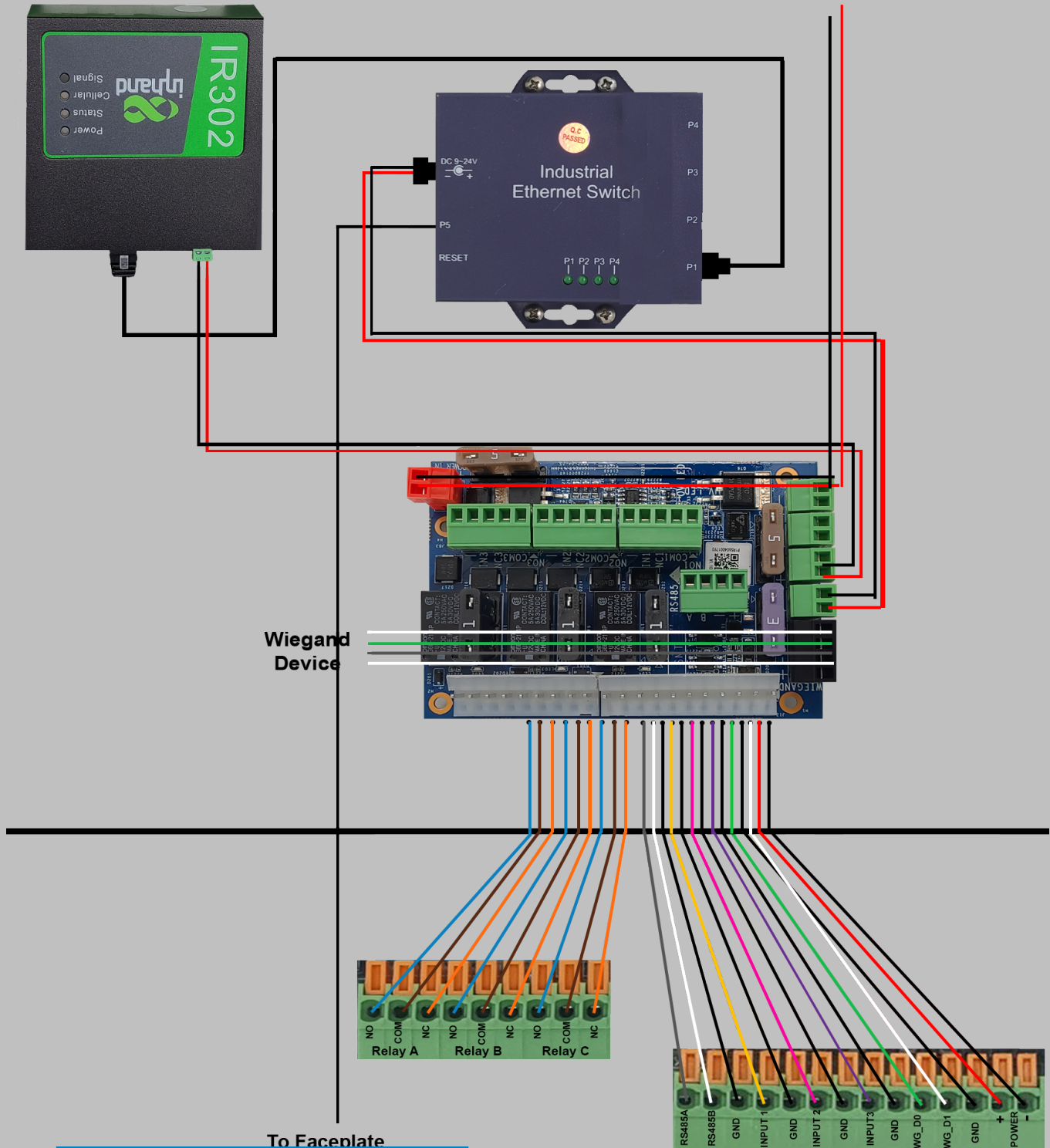
Board Parts





Interface Board Wiring Diagram

12 V Power Source



NOTE

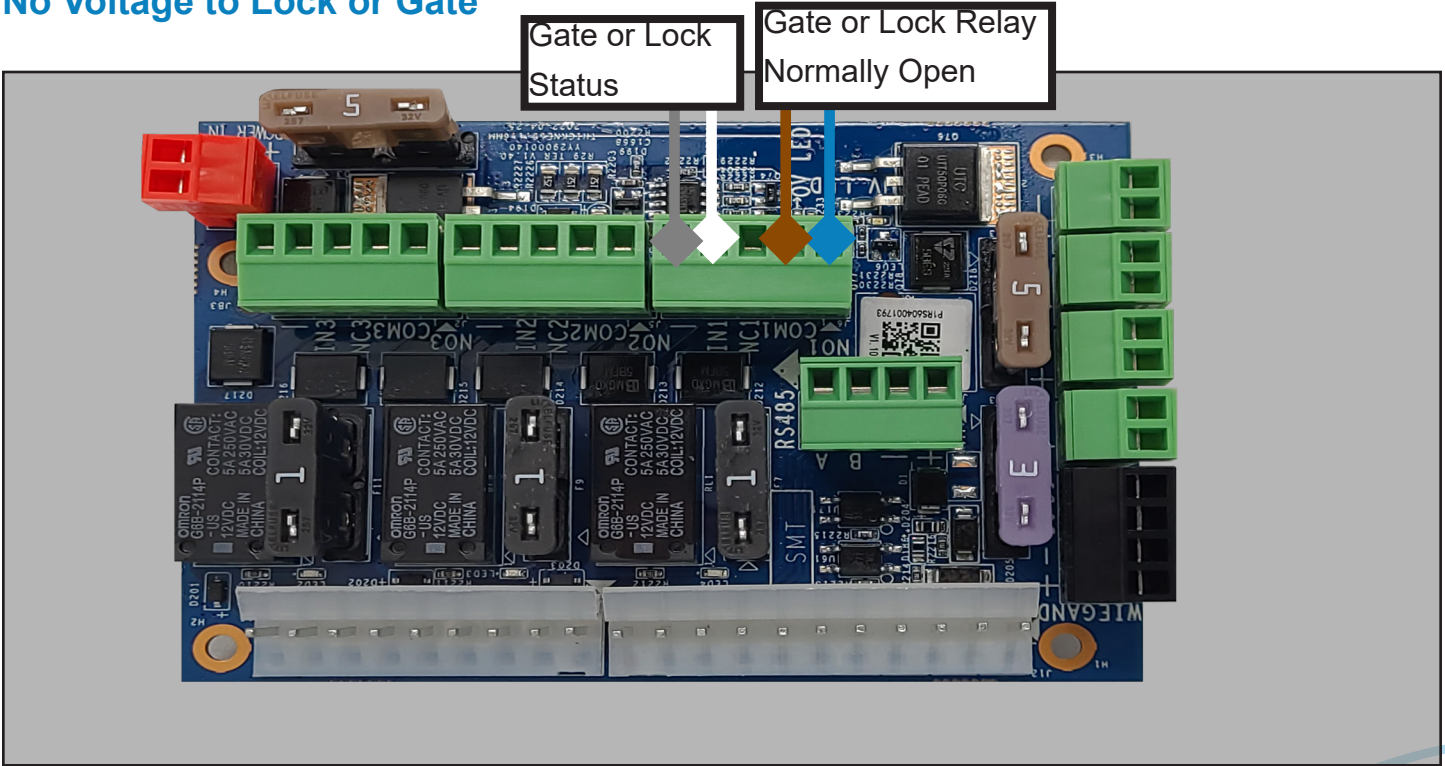
Do **not** remove SIM card from the in-hand modem.



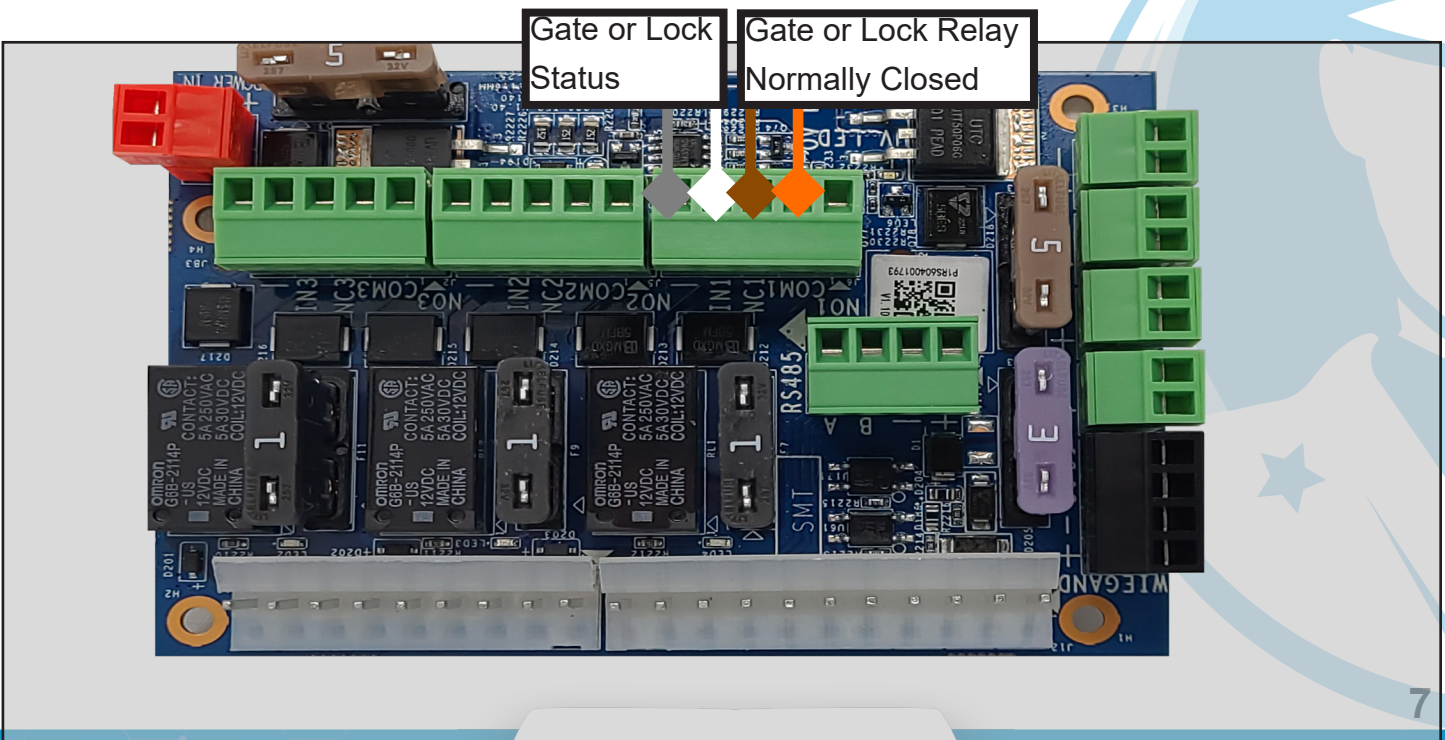
WATCHMAN[®]
Your Virtual Security Guard

by  cellgate

Dry Contact Relay, Normally Open Dry Contact No Voltage to Lock or Gate

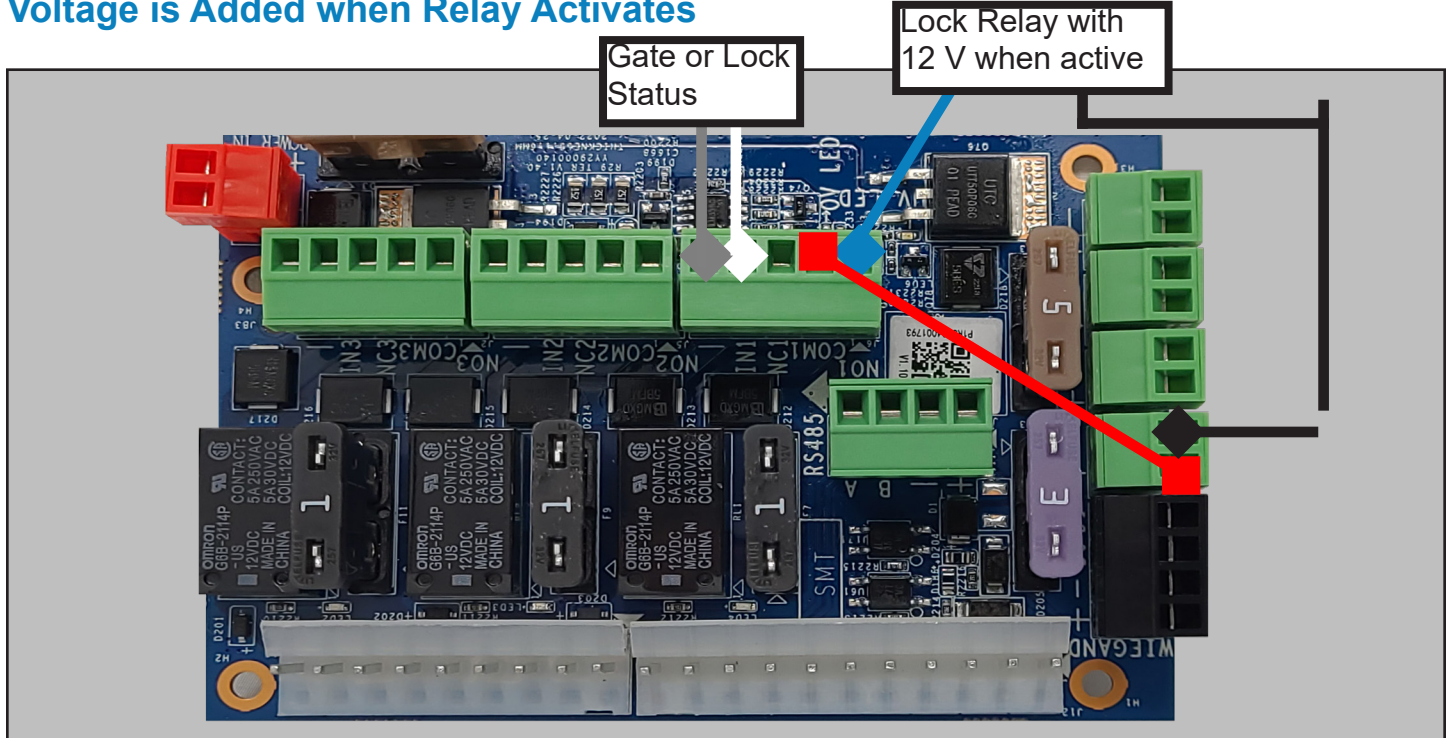


Dry Contact Relay, Normally Closed Dry Contact No Voltage to Lock or Gate



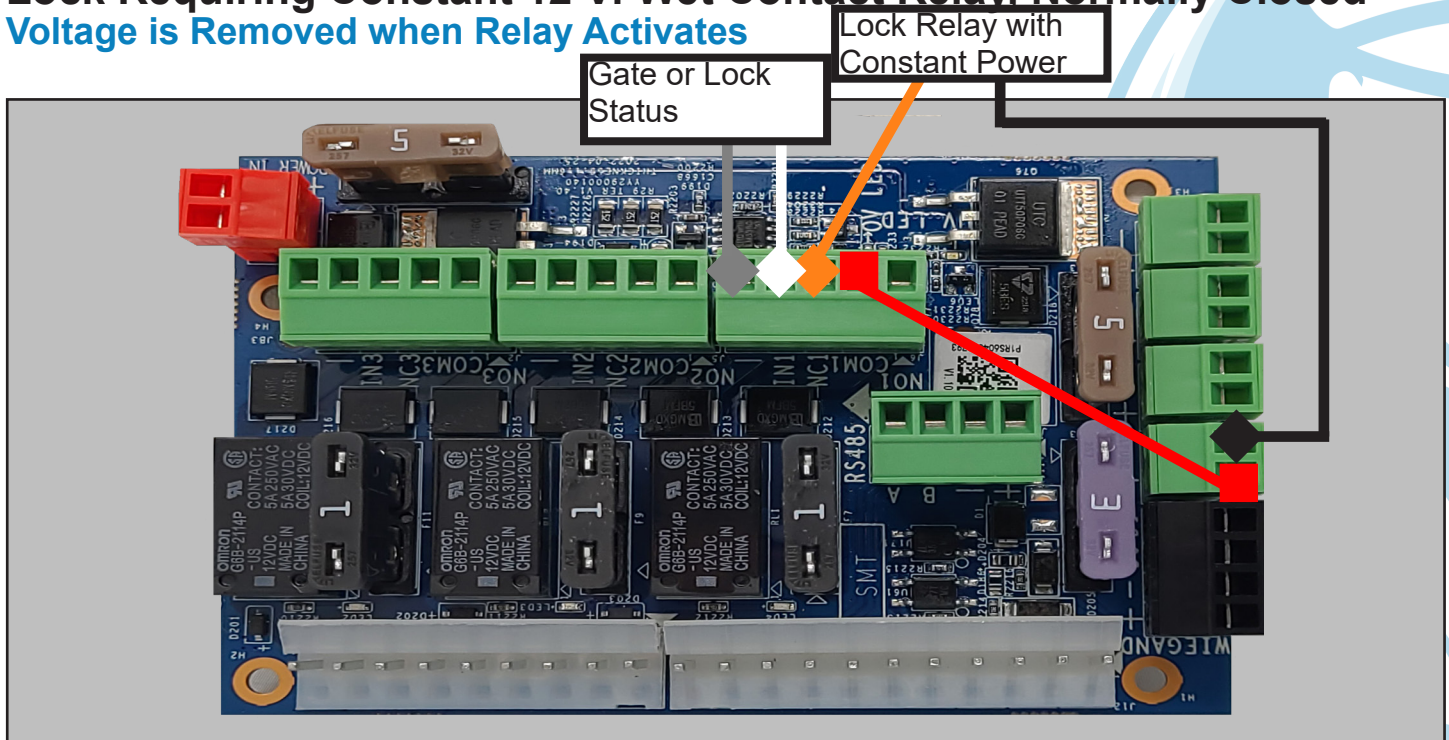


Lock Requiring Constant 12 V: Wet Contact Relay, Normally Open Voltage is Added when Relay Activates



Check that the gray stripe aligns with the positive wire. Failure to use a diode with the lock voids the warranty.

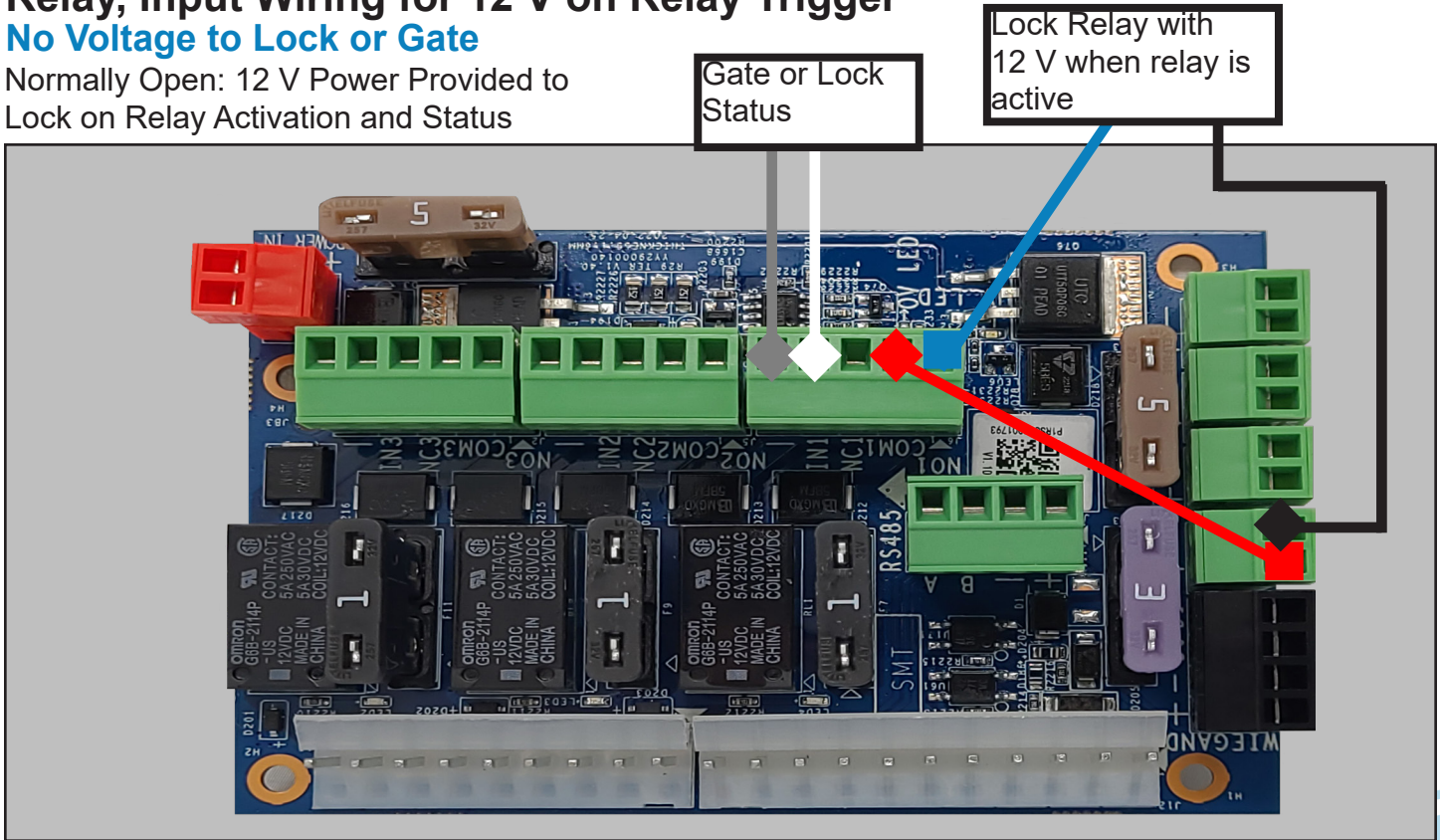
Lock Requiring Constant 12 V: Wet Contact Relay, Normally Closed Voltage is Removed when Relay Activates



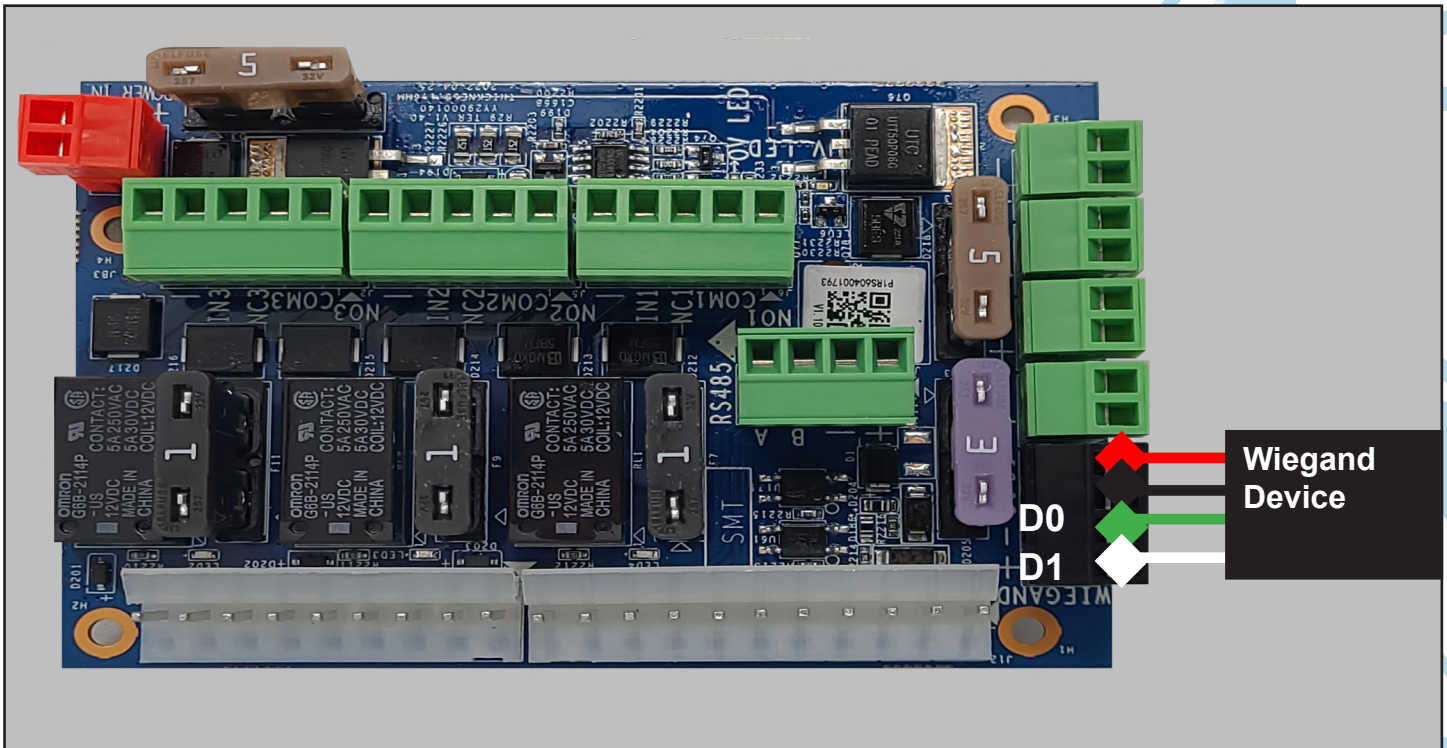


Relay, Input Wiring for 12 V on Relay Trigger No Voltage to Lock or Gate

Normally Open: 12 V Power Provided to Lock on Relay Activation and Status



Wiegand Wiring to Board and Direct to Faceplate, 26 Bit Reader To Interface Board



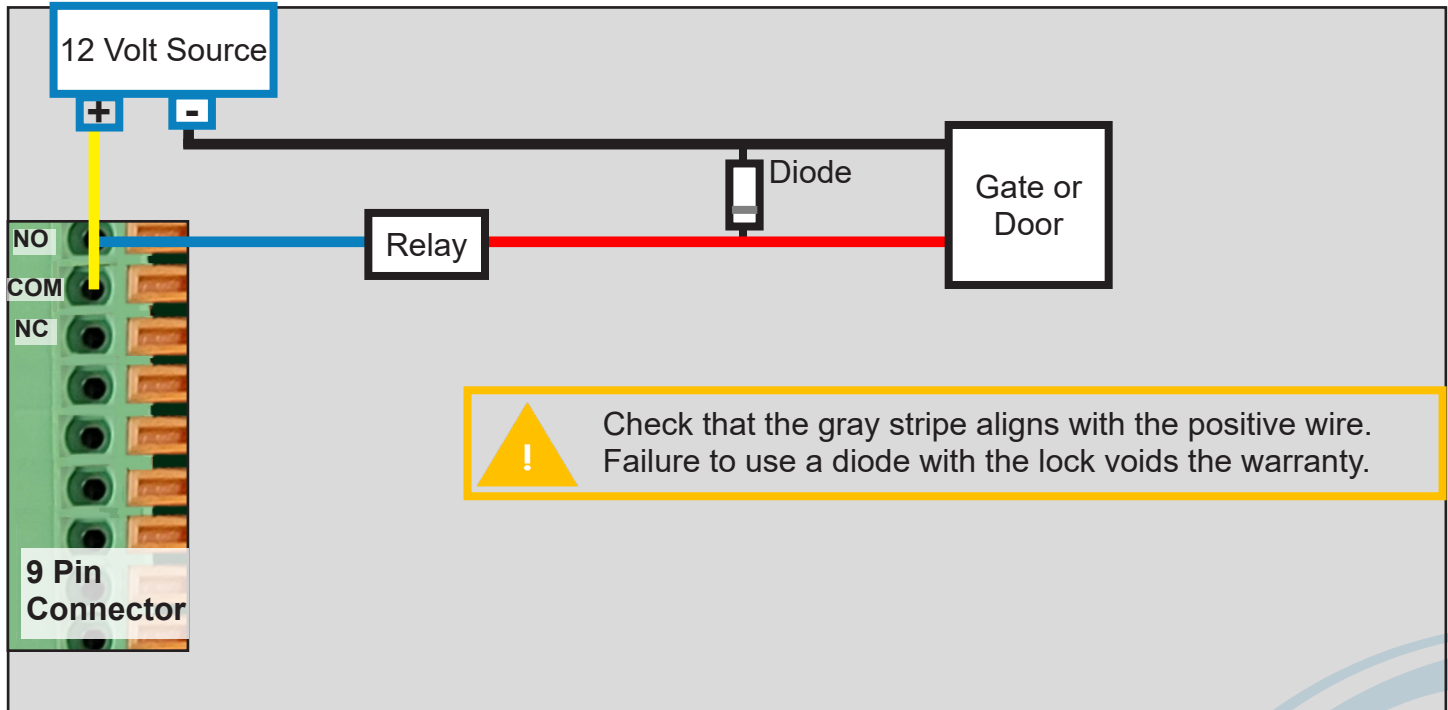


Relays: Direct Wire to Faceplate

Wet Connection, Normally Open

The gate or door receives 12 Volts when relay is active.

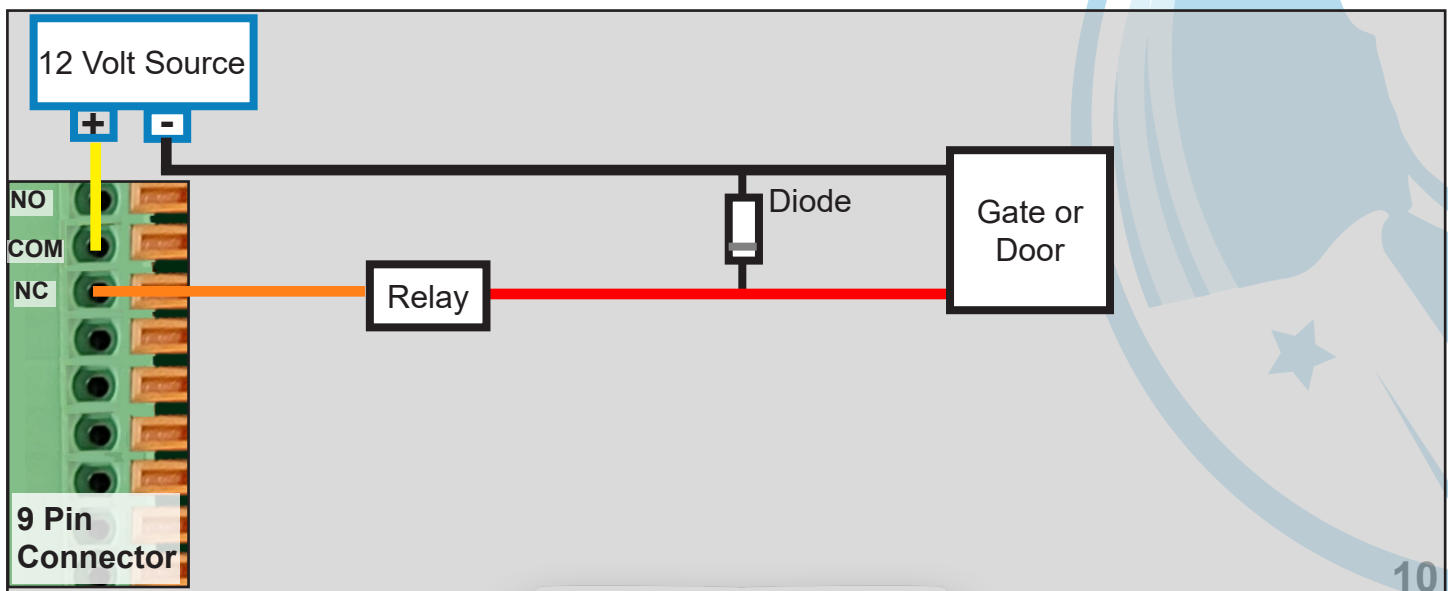
NOTE When active, **sends** 12 V.



Wet Connection, Normally Closed

The gate or door receives 12 Volts when relay is at rest.

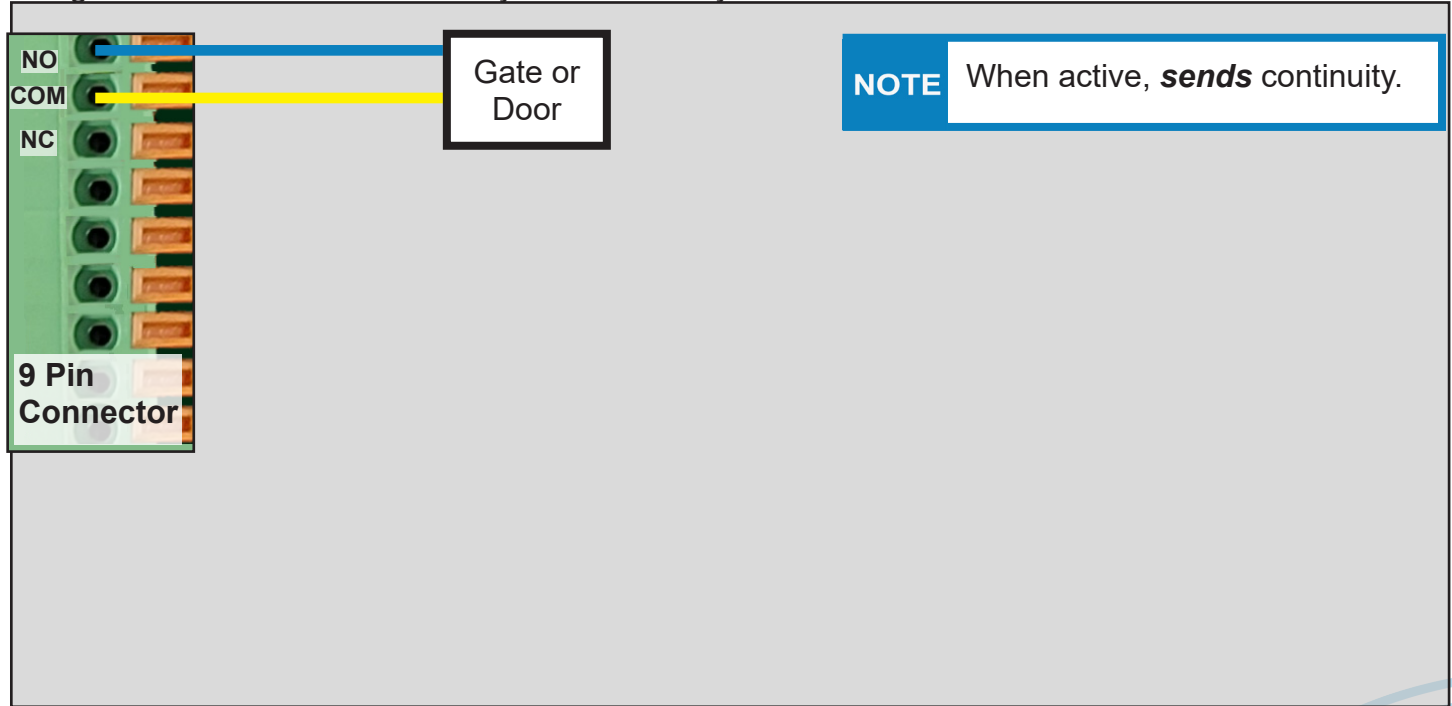
NOTE When active, **removes** 12 V.





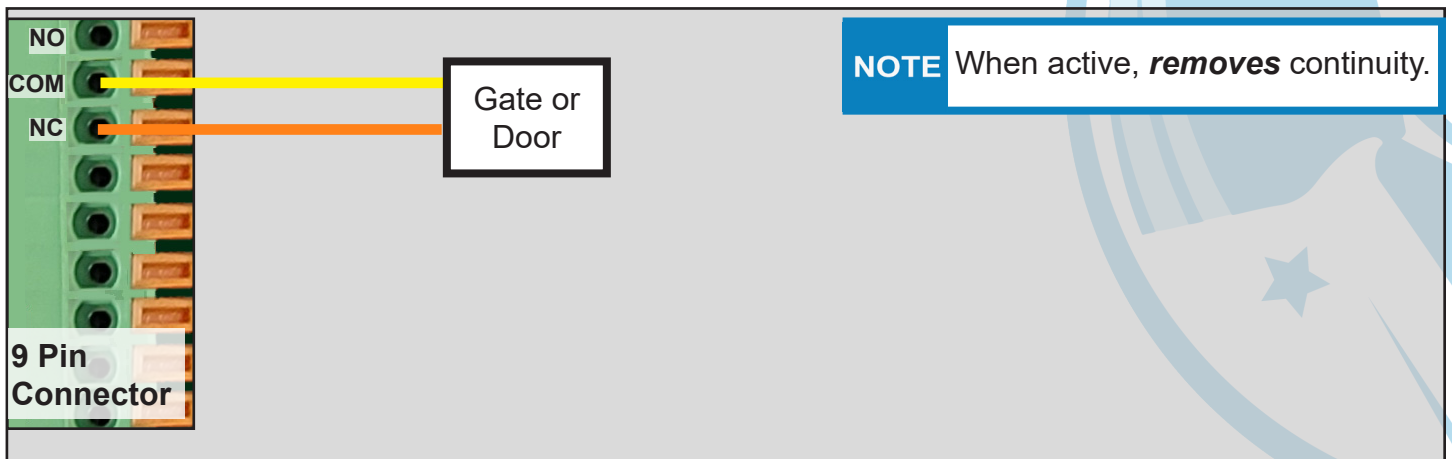
Dry Contact, Normally Open

The gate or door receives continuity when the relay is active.



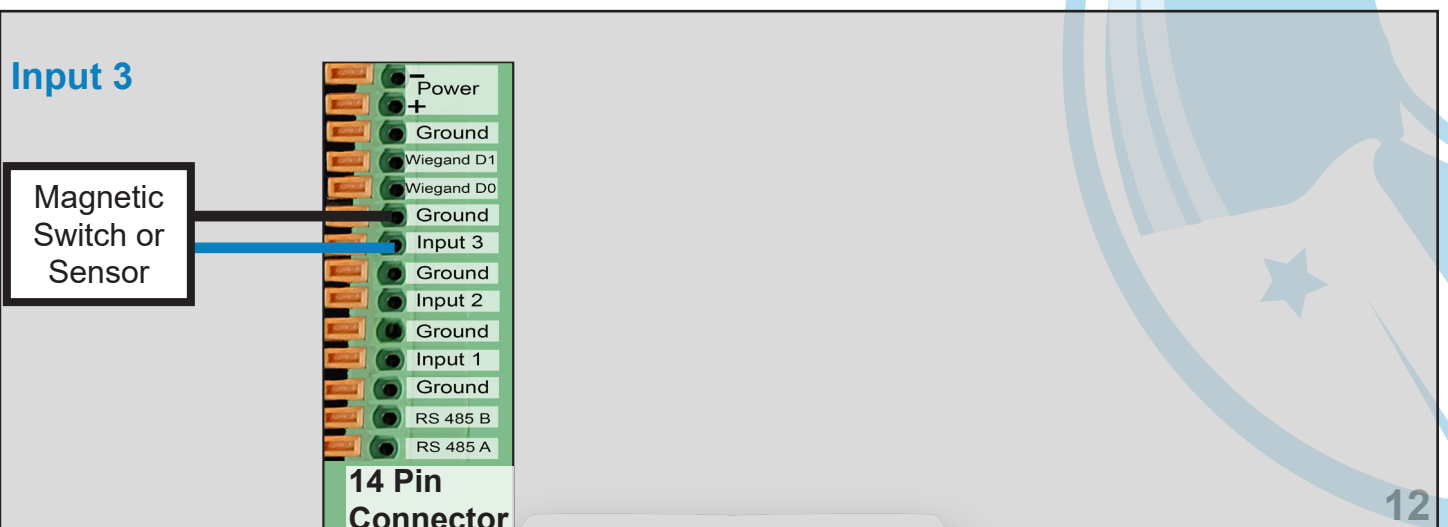
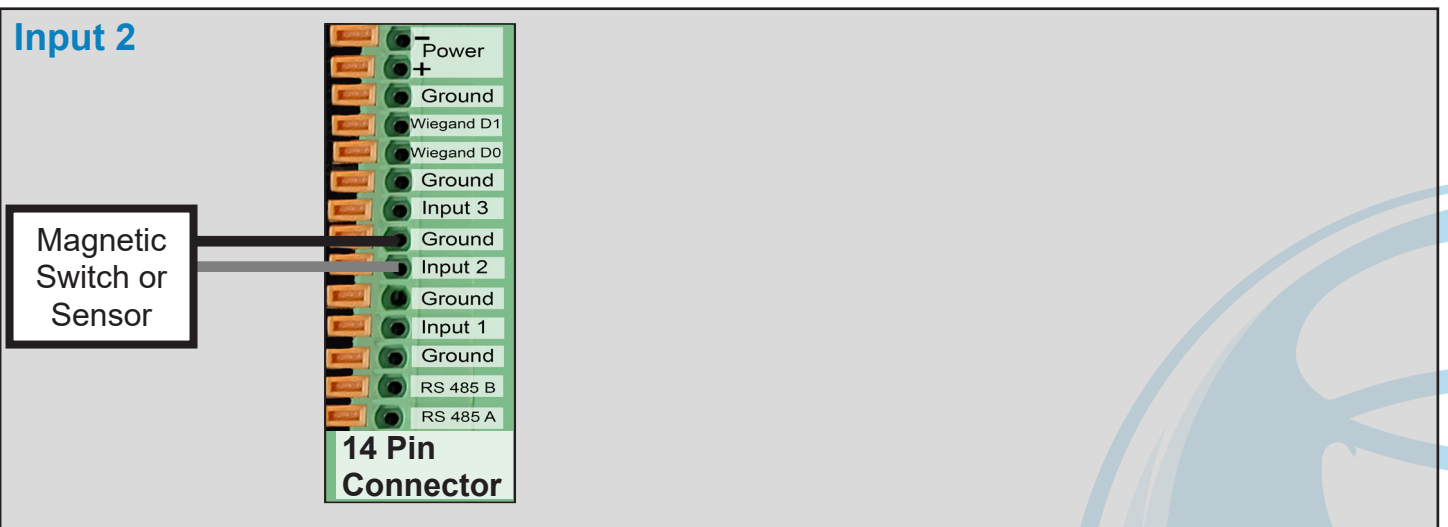
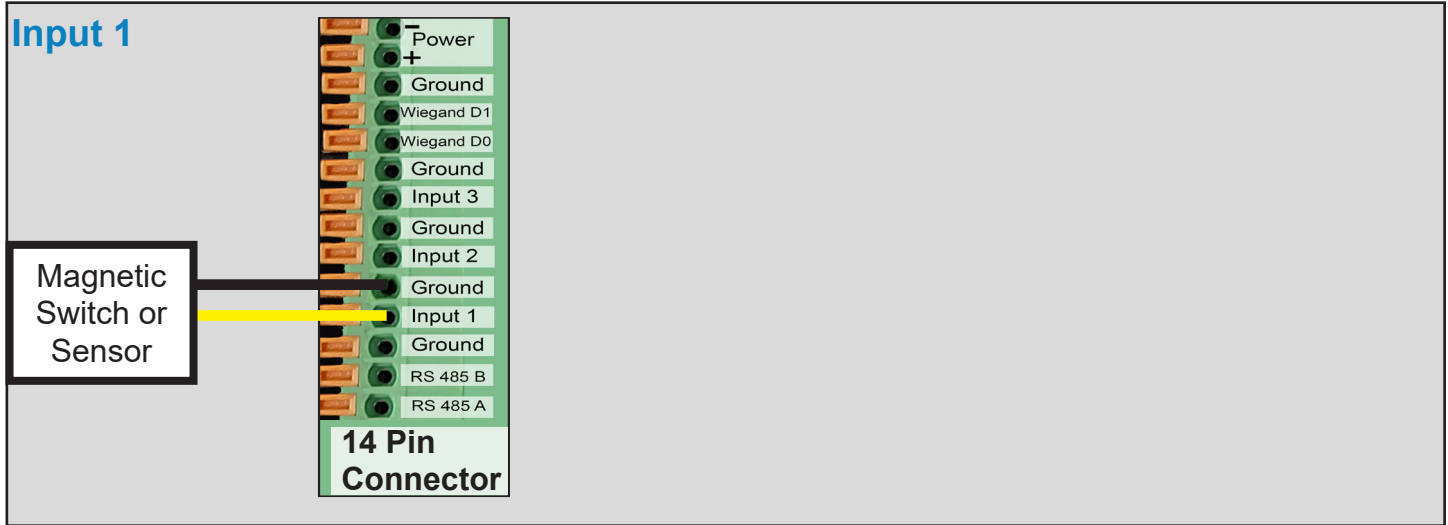
Dry Contact, Normally Closed

The gate or door receives continuity when the relay is at rest.





Inputs



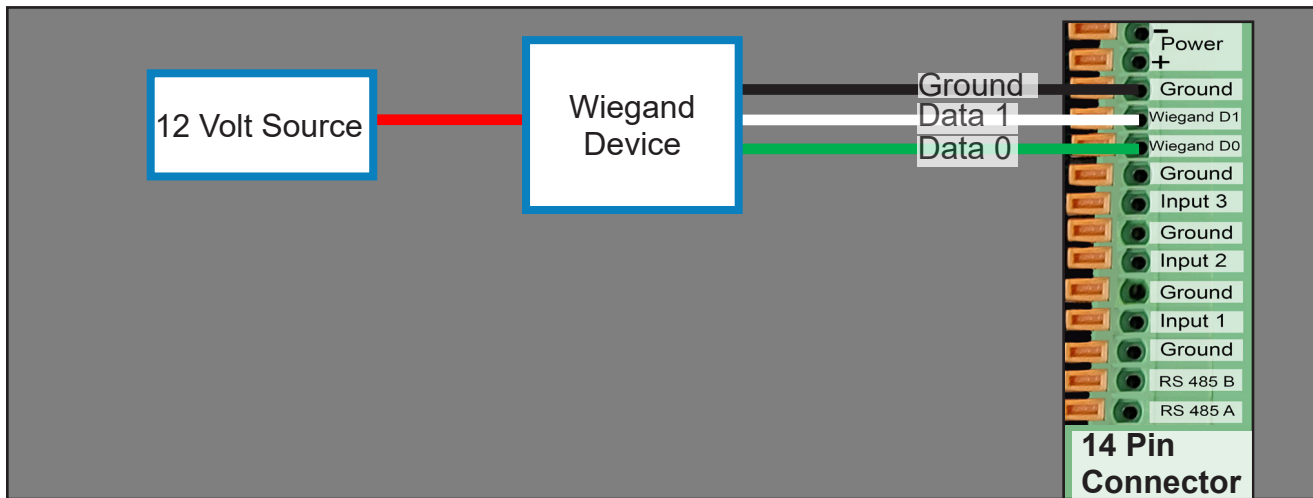


WATCHMAN[®]

Your Virtual Security Guard

To Wiegand Device and 12 V Source

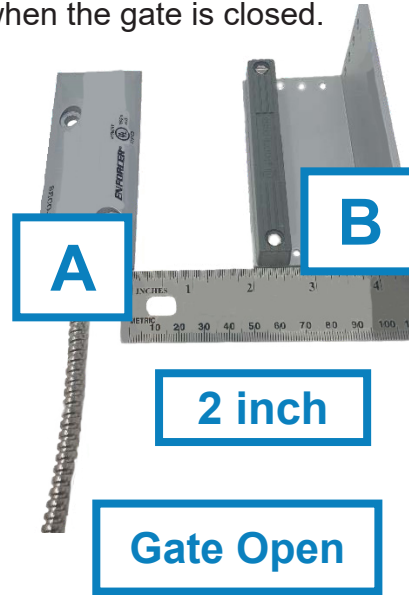
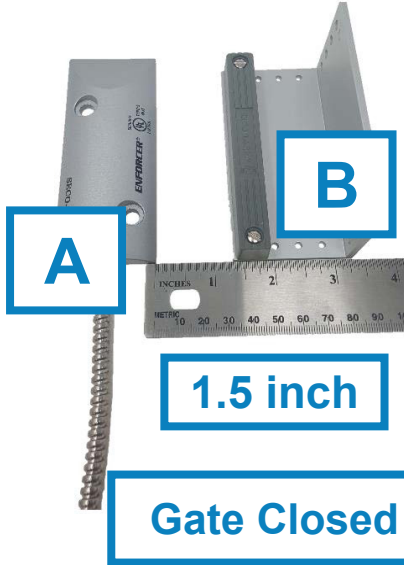
by  cellgate





Magnetic Switch Setup

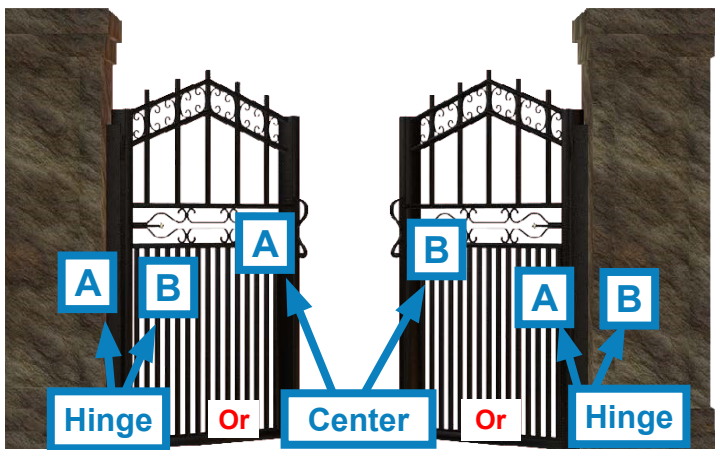
The Mag Switch can be placed anywhere that allows A and B to be pulled at least 2 inches away from each other when the gate is open and within 1.5 inches when the gate is closed.



NOTE Gate statuses can be inverted. If needed, call CellGate to invert.

Magnetic Switch Wiring

Gate Wiring



Door Wiring

