

NetWay3024

PoE+ Adapter/Converter



Altronix NetWay3024 adapter converts PoE+ (30W) to 24VDC @ up to 1A. It is compatible with PoE switches and midspans.



NetWay3024

Specifications

Functions

Converts PoE+ to 24VDC
Speed: 10/100 Mbps

Output

24VDC / 25W (1A)

Indicators (LED)

Red LED: Power ON

Agency Listings

CE European Conformity

Physical and Environmental

Dimensions (W x L x H)

3.8" x 2.5" x 1" (96.52mm x 63.5mm x 25.4mm)

Weight (approx.)

Product: 0.2 lb. (0.1 kg)

Shipping: 0.25 lb. (0.11 kg)

Temperature

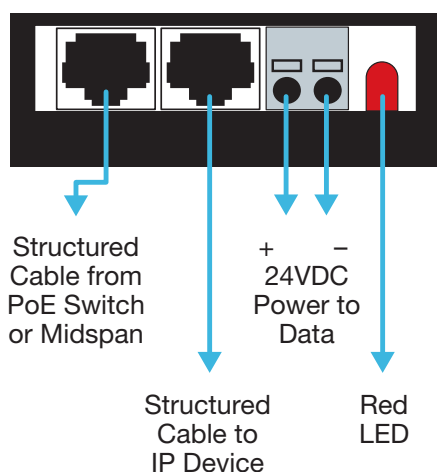
Operating: 0°C to 50°C (32°F to 122°F)

Storage: -40°C to 70°C (-40°F to 158°F)

Relative Humidity 85% +/- 5%

Operating Altitude -304.8 to 3,048m

Typical Application



Lifetime Warranty