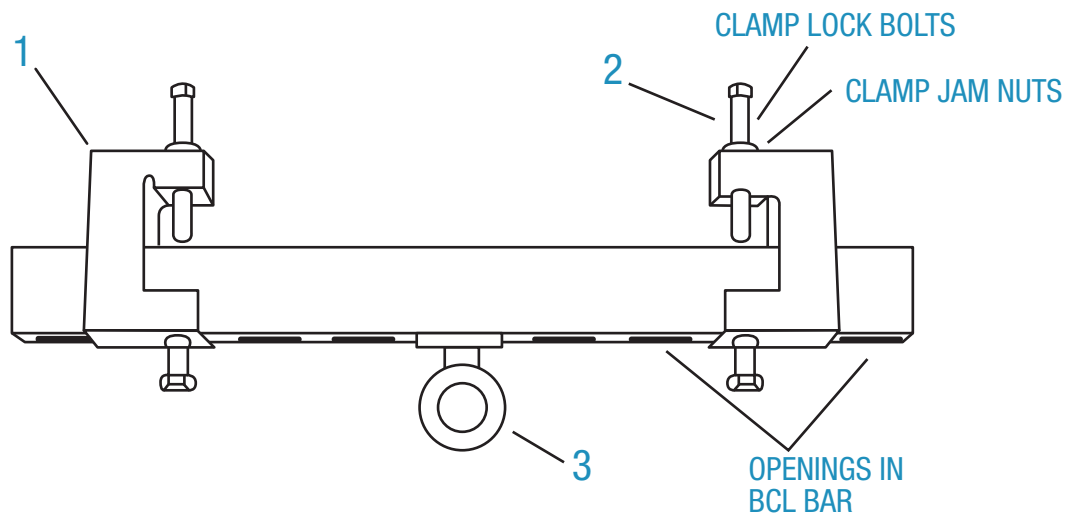


BCL Installation and Safety Procedures

Install Instructions

1. Center the BCL under the I-beam and slide the clamps (1) inward until they contact the flanges of the I-beam. Be sure there are equal spaces at each end of the BCL bar so that the eyebolt is centered under the I-beam. To check this you may count the openings on the bottom of the BCL bar at each end to ensure that they are equal.
2. Tighten the clamp lock bolts securely so that the tips bite into the beam. Then tighten the jam nuts down against the clamps.



3. Hang the loudspeaker, or Boom Kit, from the forged eyebolt (3) with supplied (or appropriate*) hardware. If multiple BCLs are required (as when hanging a Soundsphere Boom Kit Bracket), be sure the BCLs are in proper alignment with each other so that the hanging weight is vertical with respect to the BCLs (offset loads significantly reduce the load capacity of the BCL assembly).
4. Install an appropriate safety wire through the reflector leg or mounting tab (located on the rear of the loudspeaker's reflector under the leg mounting bolt) and fasten it to a suitable structural member of the building. In the case of multiple loudspeaker installations using Soundsphere Boom Kits, each loudspeaker in the cluster should be similarly safety wired, as described above. Safety wiring standards vary in different localities - please read the [WARNING](#) below.

WARNING

Be sure to securely tighten all hardware before hanging the loudspeaker. Wire rope (steel cable), cable clamps with saddles and thimbles of suitable size and strength are the recommended materials for overhead suspensions. All loudspeakers should be redundantly safety wired to structural members of the building with an approved safety wire system or other agency certified materials.

IMPORTANT: Always check local safety codes before installing any overhead loudspeaker system and for periodic inspection and maintenance of the installation.