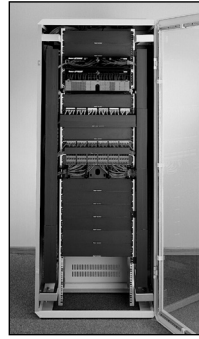


IN-Cabinet Cable Management System

SPECIFICATIONS

IN-Cabinet cable management systems shall include components to aide in routing, managing and organizing cable to and from equipment. Panels shall be a flexible design with adjustable mounting. Panels shall be constructed of steel bases with PVC duct attached. Duct fingers shall have score lines for easy removal.



TECHNICAL INFORMATION

Part Number	RU	Height in. (mm)	Width in. (mm)	Depth in. (mm)
CWMPV2440	40	70.8 (1825)	1.95 (50)	3.76 (96)
CWMPV3440	40	70.8 (1825)	2.94 (75)	3.76 (96)
CWMPV2340	40	70.0 (1778)	2.25 (57)	3.00 (76)
CWMPV3340	40	70.0 (1778)	3.25 (83)	3.00 (76)
Temperature rating:	Maximum storage temperature: 65°C (149°F) Maximum operating temperature: 60°C (140°F)			

Cable capacity: Reference the Cable Capacity Calculator on each product page at www.panduit.com

KEY FEATURES AND BENEFITS

Universal design:	Works with the majority of manufacturer's wider cabinet designs
Modular system:	Provides a system solution that can be updated with minimal additional investment
System solution:	Includes slotted finger duct and D-ring options for both vertical and horizontal cable management
High capacity:	Manages and organizes a large number of cables
Multiple sizes:	Designed to work in a variety of cabinet designs
Multiple adjustable mounting options:	Allows use in various applications

APPLICATIONS

The IN-Cabinet System is designed to properly manage and organize patch cords and distribution cable within a cabinet. It provides a system solution including vertical and horizontal panel options. The IN-Cabinet System is designed to work with the majority of cabinet designs for maximum flexibility. Multiple sizes are also available to fit a variety of applications. The IN-Cabinet System can be used with multimedia applications including UTP, ScTP, coax and fiber optic cables. It is a completely modular system for use with all Pan-Net[®] Products for a high performance copper and fiber solution. The IN-Cabinet System also works with a variety of Panduit accessories for complete cable management flexibility.

Side Mount Vertical Panels

2"W x 4"D x 6"H: CWMPV2440

3"W x 4"D x 6"H: CWMPV3440

Front Mount Vertical Panels

2"W x 3"D x 6"H: CWMPV2340

3"W x 3"D x 6"H: CWMPV3340

Patchlink[®] Horizontal Cable Managers

2 RU front and rear: WMP1E

2 RU front only: WMPF1E

1 RU front and rear: WMPSE

1 RU front only: WMPFSE

NetManager[®] Horizontal Cable Managers

Front only: NMF*

Front and Rear: NM*

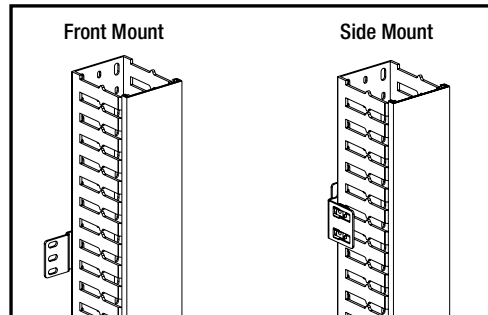
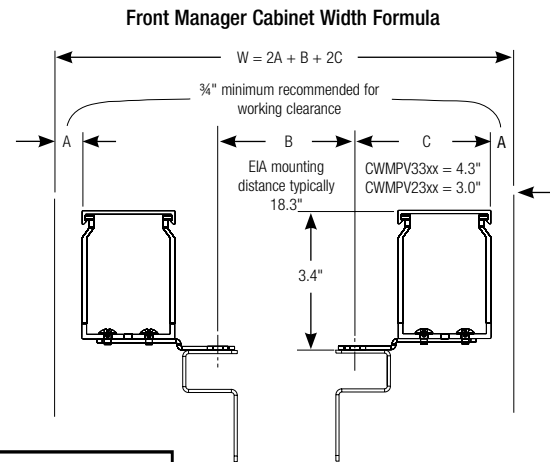
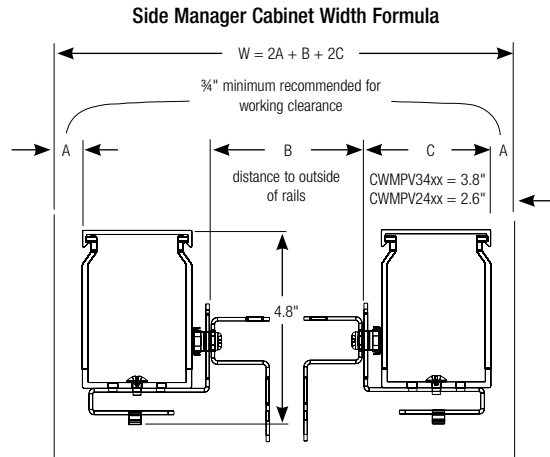
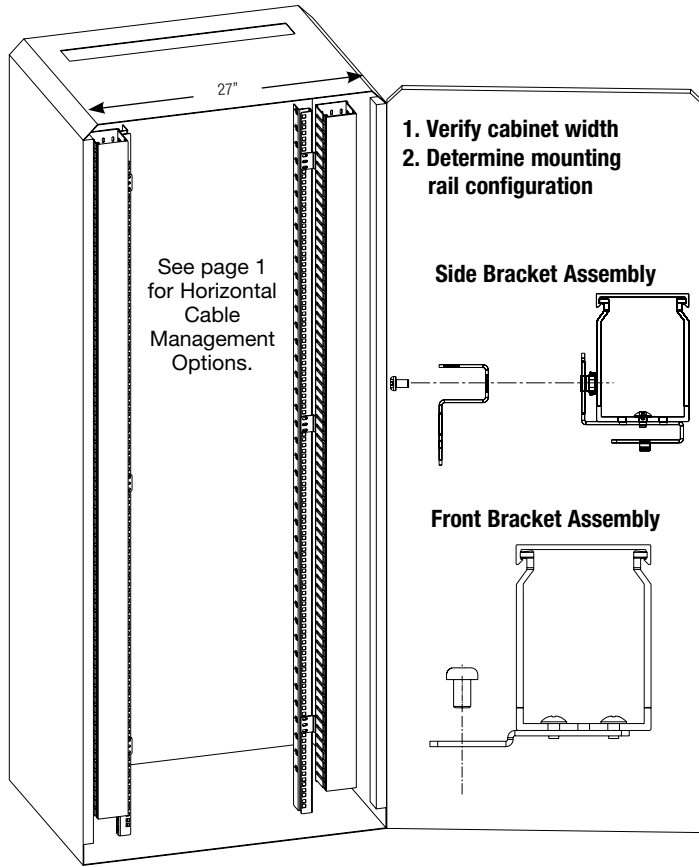
*Rack Units (RUs): 1-4



All Part Numbers Compliant with the U.S. Trade Agreements Act (TAA) for purchases shipped to the United States.

IN-Cabinet Cable Management System

ENGINEERING DRAWINGS



Dimensions are in inches. [Dimensions in brackets are metric].

WORLDWIDE SUBSIDIARIES AND SALES OFFICES

PANDUIT US/CANADA
Phone: 800.777.3300

PANDUIT EUROPE LTD.
London, UK
Phone: 44.20.8601.7200

PANDUIT SINGAPORE PTE. LTD.
Republic of Singapore
Phone: 65.6305.7575

PANDUIT JAPAN
Tokyo, Japan
Phone: 81.3.6863.6000

PANDUIT LATIN AMERICA
Guadalajara, Mexico
Phone: 52.33.3777.6000

PANDUIT AUSTRALIA PTY. LTD.
Victoria, Australia
Phone: 61.3.9794.9020

For a copy of Panduit product warranties, log on to www.panduit.com/warranty

PANDUIT[®]

For more information
Visit us at www.panduit.com
Contact Customer Service by email: cs@panduit.com
or by phone: 800.777.3300

© 2024 Panduit Corp.
ALL RIGHTS RESERVED.
RKSP192-WW-ENG
1/2024