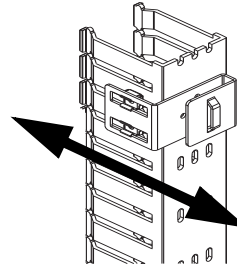
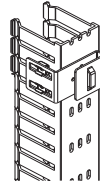


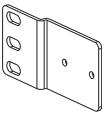
SIDE MOUNT BRACKETS

PART NUMBER	SIZE	APPROX HEIGHT	CABLE DIA.		
			0.187	0.25	3mm
CWMPV2440	2"W x 4"D x 40RU	71.8"	79	44	200
CWMPV3440	3"W x 4"D x 40RU	71.8"	125	70	315



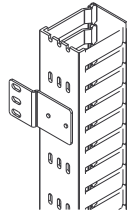
Side bracket shown mounted flush. Slide cage nut along slot for additional adjustment.

Removable brackets can be relocated along the duct for more flexibility.

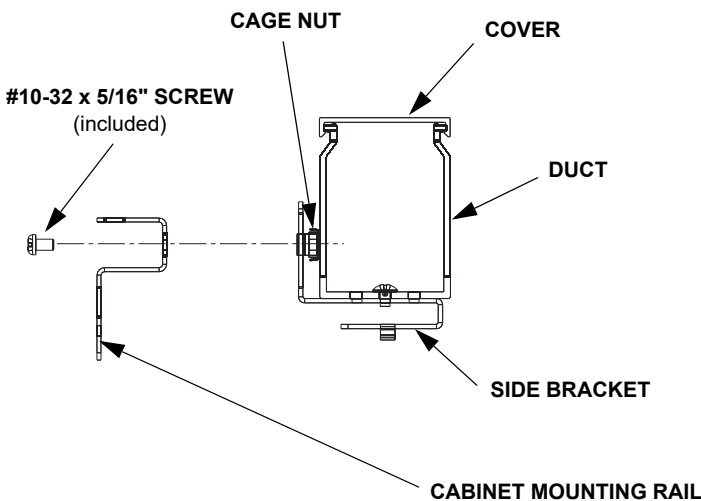


FRONT MOUNT BRACKETS

PART NUMBER	SIZE	APPROX HEIGHT	CABLE DIA.		
			0.187	0.25	3mm
CWMPV2340	2"W x 3"D x 40RU	70"	74	41	185
CWMPV3340	3"W x 3"D x 40RU	70"	110	61	277

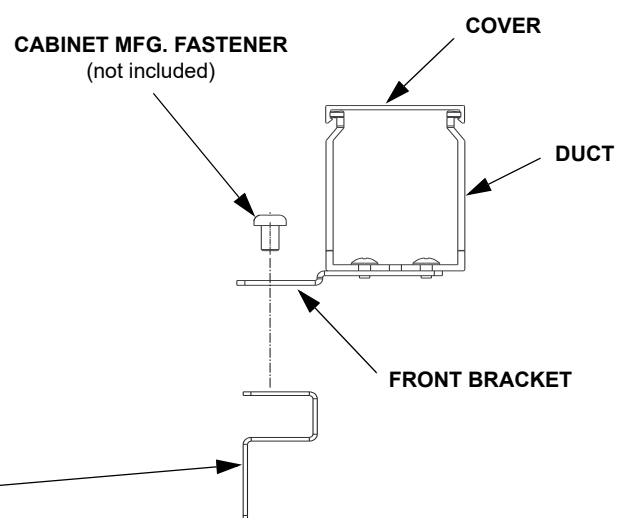


SIDE BRACKET ASSEMBLY



Align side mount bracket assembly to the cabinet mounting rail and fasten in place with included #10-32 x 5/16" screw.

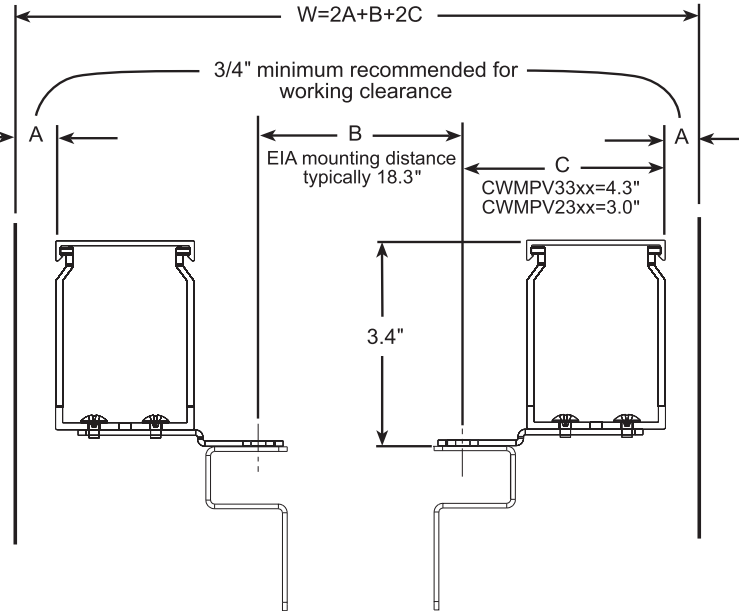
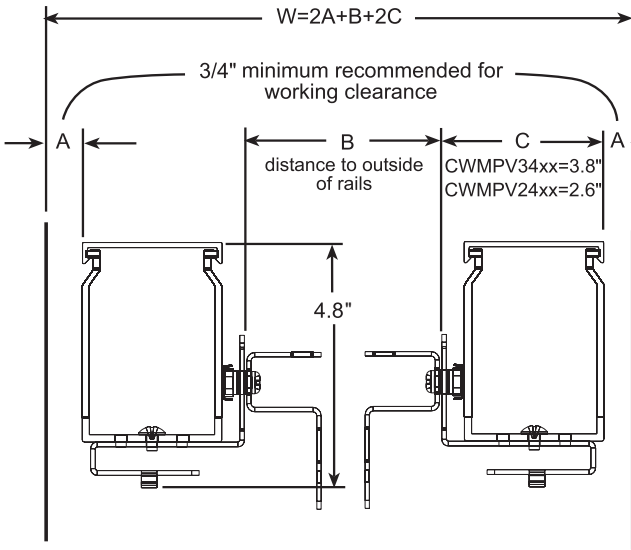
FRONT BRACKET ASSEMBLY



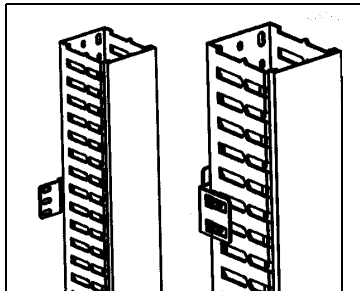
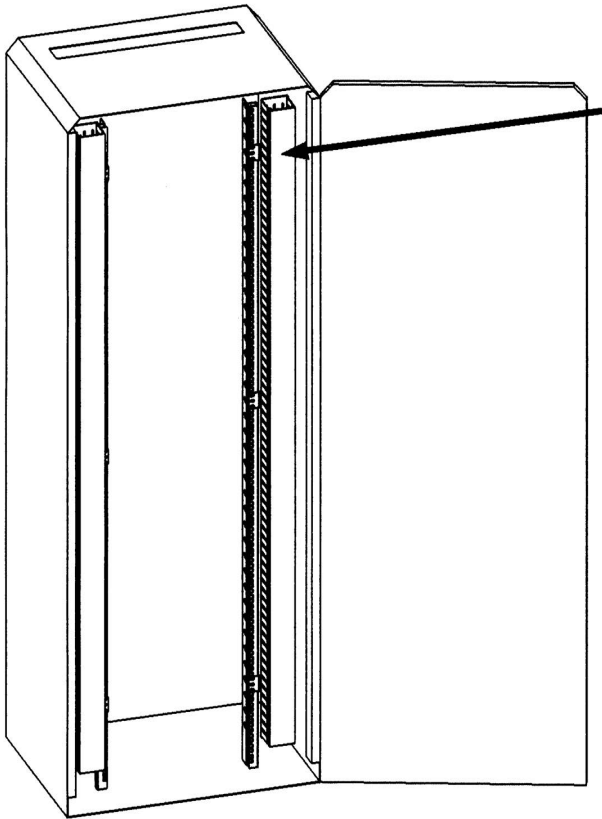
Align front mount bracket assembly to the cabinet mounting rail and fasten in place with cabinet manufacturer's fastener.

SIDE MANAGER CABINET WIDTH FORMULA

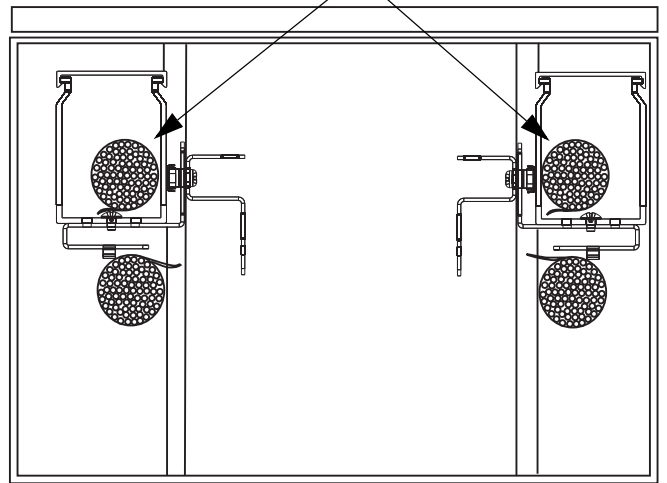
FRONT MANAGER CABINET WIDTH FORMULA



TYPICAL CABINET INSTALLATION



Cable bundle secured to the rear of the cable managers using Panduit Tak-Tys.



For Instructions in Local Languages and Technical Support:
www.panduit.com

PANDUIT
www.panduit.com

E-mail: techsupport@panduit.com
Phone: 866-405-6654