

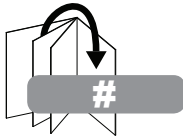
## ⚠ WARNING

ENG - Do not begin to install product until you have read and understood the instructions and warnings contained in this user guide. This product is designed to be installed on wood stud, solid concrete or cinder block walls. Hardware is included for wood stud, solid concrete and cinder block installation. Before installing make sure the supporting surface will support the combined load of the equipment and hardware. Screws must be tightly secured. Do not overtighten screws or damage can occur and product may fail. Never exceed the Maximum Load Capacity. Always use an assistant or mechanical lifting equipment to safely lift and position equipment. This product is intended for indoor use only. Use of this product outdoors could lead to product failure or personal injury. To reduce the risk of electric shock or fire, do not expose product to water or moisture. Be sure power cord is routed so that it will not be tripped on, stepped on, or pinched by heavy items. Avoid overloading electrical outlets or extension cords. Always disconnect the power cord from the power outlet when installing, servicing, or not using the product for an extended period of time. Do not block ventilation slots or fan exhaust on product. Blocking airflow could damage product. Arrange product to allow air to flow freely around product. Keep product away from direct sunlight or any source of heat. For support please call 800-4-SIGNAGE.

ENG Symbols



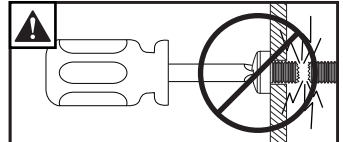
ENG WARNING



ENG Skip to step.

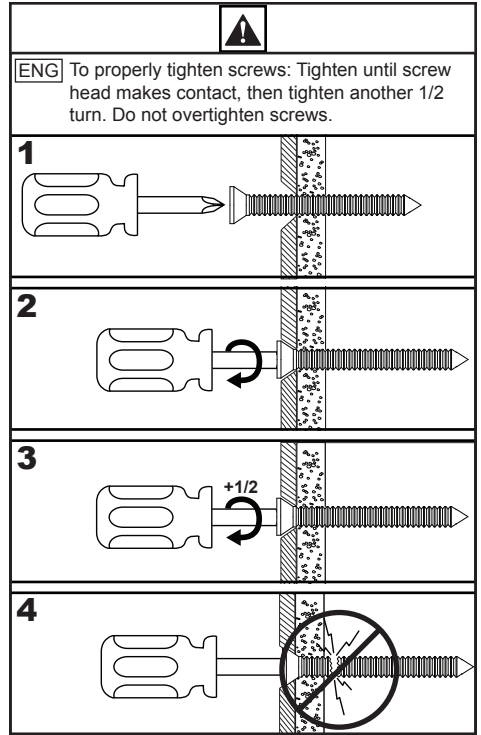
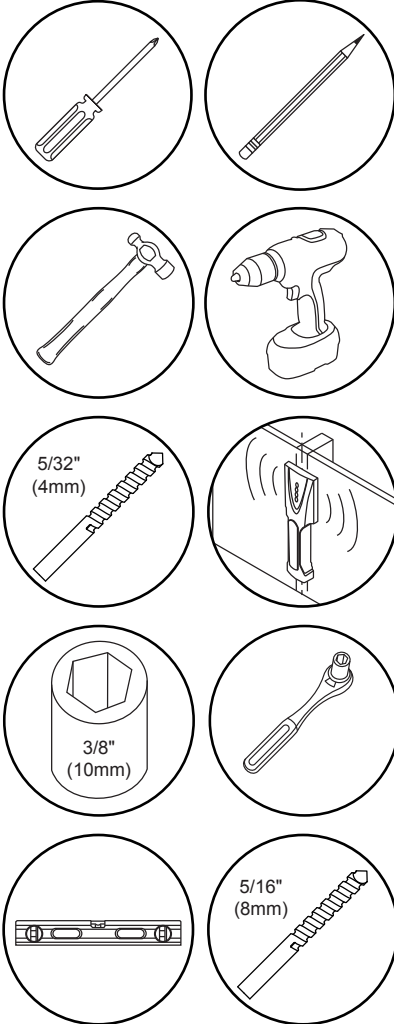


ENG Screws must get at least three full turns and fit snug.



ENG Do not overtighten screws.

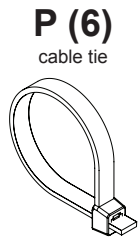
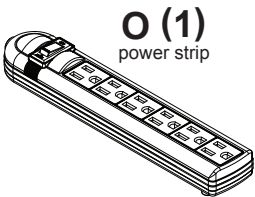
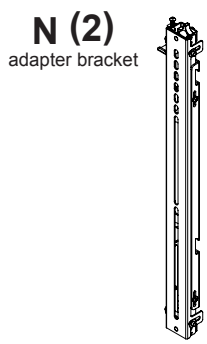
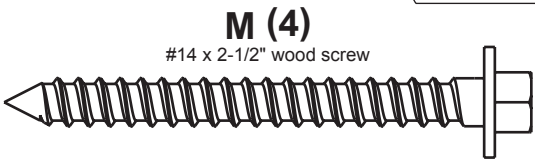
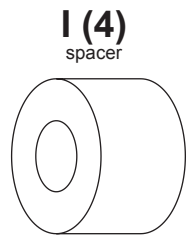
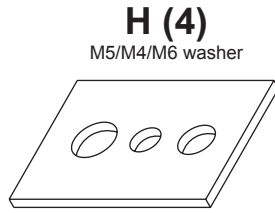
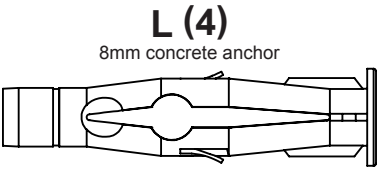
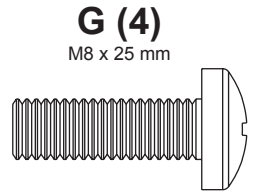
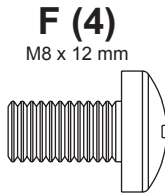
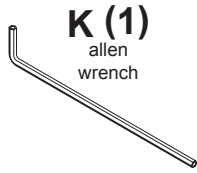
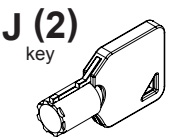
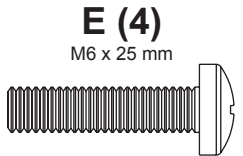
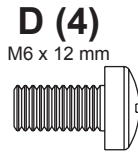
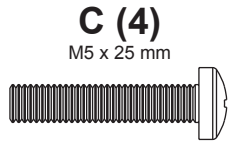
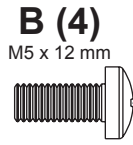
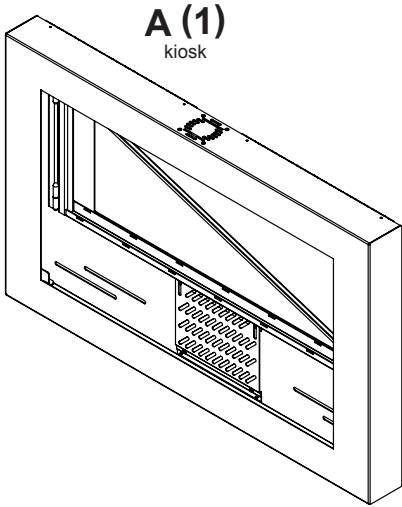
**ENG** Tools Needed for Assembly.



**ENG** Parts (Before beginning, make sure you have all parts shown below).

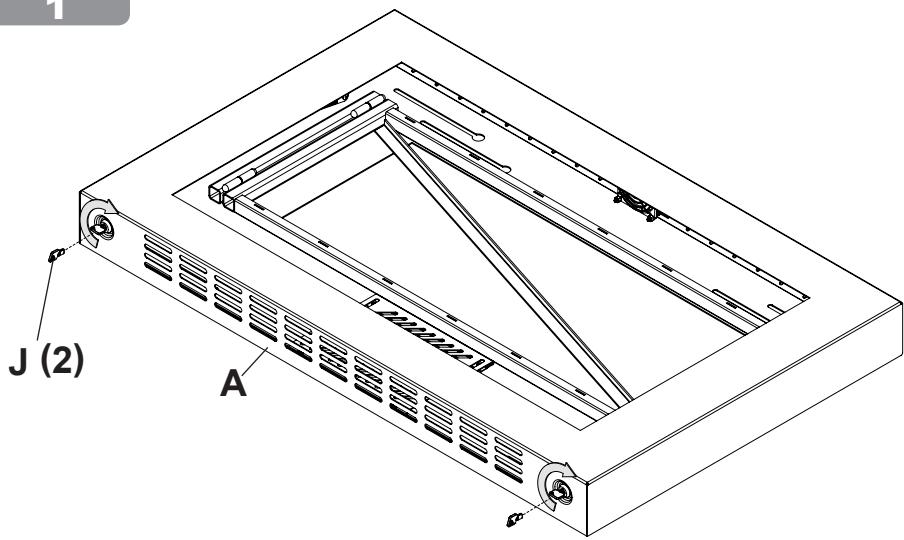
<b>Parts List</b>		KIL640-35D		KIL642-35D		KIL643-35D		KIL646-35D	
		KIL640-35D-S		KIL642-35D-S		KIL643-35D-S		KIL646-35D-S	
Description	Qty	Part #	Part #	Part#	Part #	Part#	Part #	Part#	Part #
<b>A</b> kiosk BLK	1	151-P1579	151-P1580	151-P1659	151-P1581	151-P1659	151-P1581	151-P1659	151-P1581
kiosk SLV		151-4579	151-4580	151-4659	151-4581	151-4659	151-4581	151-4659	151-4581
<b>B</b> M5 x 12mm pan phl screw	4	520-1027	520-1027	520-1027	520-1027	520-1027	520-1027	520-1027	520-1027
<b>C</b> M5 X 25mm pan phl screw	4	520-9543	520-9543	520-9543	520-9543	520-9543	520-9543	520-9543	520-9543
<b>D</b> M6 x 12mm pan phl screw	4	520-1128	520-1128	520-1128	520-1128	520-1128	520-1128	520-1128	520-1128
<b>E</b> M6 x 25mm pan phl screw	4	520-1208	520-1208	520-1208	520-1208	520-1208	520-1208	520-1208	520-1208
<b>F</b> M8 x 12mm pan phl screw	4	520-9571	520-9571	520-9571	520-9571	520-9571	520-9571	520-9571	520-9571
<b>G</b> M8 x 25mm pan phl screw	4	520-1031	520-1031	520-1031	520-1031	520-1031	520-1031	520-1031	520-1031
<b>H</b> M5/M4/M6 multi washer	4	580-1398	580-1398	580-1398	580-1398	580-1398	580-1398	580-1398	580-1398
<b>I</b> 1/4"spacer	4	540-1059	540-1059	540-1059	540-1059	540-1059	540-1059	540-1059	540-1059
<b>J</b> key	2	565-0049A	565-0049A	565-0049A	565-0049A	565-0049A	565-0049A	565-0049A	565-0049A
<b>K</b> 4mm allen wrench	1	560-9646	560-9646	560-9646	560-9646	560-9646	560-9646	560-9646	560-9646
<b>L</b> 8mm concrete anchor	4	590-0320	590-0320	590-0320	590-0320	590-0320	590-0320	590-0320	590-0320
<b>M</b> #14 x 2.5" wood screw	4	5S1-015-C03	5S1-015-C03	5S1-015-C03	5S1-015-C03	5S1-015-C03	5S1-015-C03	5S1-015-C03	5S1-015-C03
<b>N</b> adaptor bracket	2	150-T1682	150-T1682	150-T1682	150-T1682	150-T1682	150-T1682	150-T1682	150-T1682
<b>O</b> power strip	1	600-0370	600-0370	600-0370	600-0370	600-0370	600-0370	600-0370	600-0370
<b>P</b> cable tie	6	560-1756	560-1756	560-1756	560-1756	560-1756	560-1756	560-1756	560-1756

<b>Parts List</b>		KIL647-35D		KIL648-35D		KIL649-35D		KIL655-35D	
		KIL647-35D-S		KIL648-35D-S		KIL649-35D-S		KIL655-35D-S	
Description	Qty	Part #	Part #	Part #	Part #	Part#	Part #	Part#	Part #
<b>A</b> kiosk BLK	1	151-P1582	151-P1583	152-P1443	151-P1584	151-P1582	151-P1583	152-P1443	151-P1584
kiosk SLV		151-4582	151-4583	152-4443	151-4584	151-4582	151-4583	152-4443	151-4584
<b>B</b> M5 x 12mm pan phl screw	4	520-1027	520-1027	520-1027	520-1027	520-1027	520-1027	520-1027	520-1027
<b>C</b> M5 X 25mm pan phl screw	4	520-9543	520-9543	520-9543	520-9543	520-9543	520-9543	520-9543	520-9543
<b>D</b> M6 x 12mm pan phl screw	4	520-1128	520-1128	520-1128	520-1128	520-1128	520-1128	520-1128	520-1128
<b>E</b> M6 x 25mm pan phl screw	4	520-1208	520-1208	520-1208	520-1208	520-1208	520-1208	520-1208	520-1208
<b>F</b> M8 x 12mm pan phl screw	4	520-9571	520-9571	520-9571	520-9571	520-9571	520-9571	520-9571	520-9571
<b>G</b> M8 x 25mm pan phl screw	4	520-1031	520-1031	520-1031	520-1031	520-1031	520-1031	520-1031	520-1031
<b>H</b> M5/M4/M6 multi washer	4	580-1398	580-1398	580-1398	580-1398	580-1398	580-1398	580-1398	580-1398
<b>I</b> 1/4"spacer	4	540-1059	540-1059	540-1059	540-1059	540-1059	540-1059	540-1059	540-1059
<b>J</b> key	2	565-0049A	565-0049A	565-0049A	565-0049A	565-0049A	565-0049A	565-0049A	565-0049A
<b>K</b> 4mm allen wrench	1	560-9646	560-9646	560-9646	560-9646	560-9646	560-9646	560-9646	560-9646
<b>L</b> 8mm concrete anchor	4	590-0320	590-0320	590-0320	590-0320	590-0320	590-0320	590-0320	590-0320
<b>M</b> #14 x 2.5" wood screw	4	5S1-015-C03	5S1-015-C03	5S1-015-C03	5S1-015-C03	5S1-015-C03	5S1-015-C03	5S1-015-C03	5S1-015-C03
<b>N</b> adaptor bracket	2	150-T1682	150-T1682	150-T1682	150-T1682	150-T1682	150-T1682	150-T1682	150-T1682
<b>O</b> power strip	1	600-0370	600-0370	600-0370	600-0370	600-0370	600-0370	600-0370	600-0370
<b>P</b> cable tie	6	560-1756	560-1756	560-1756	560-1756	560-1756	560-1756	560-1756	560-1756

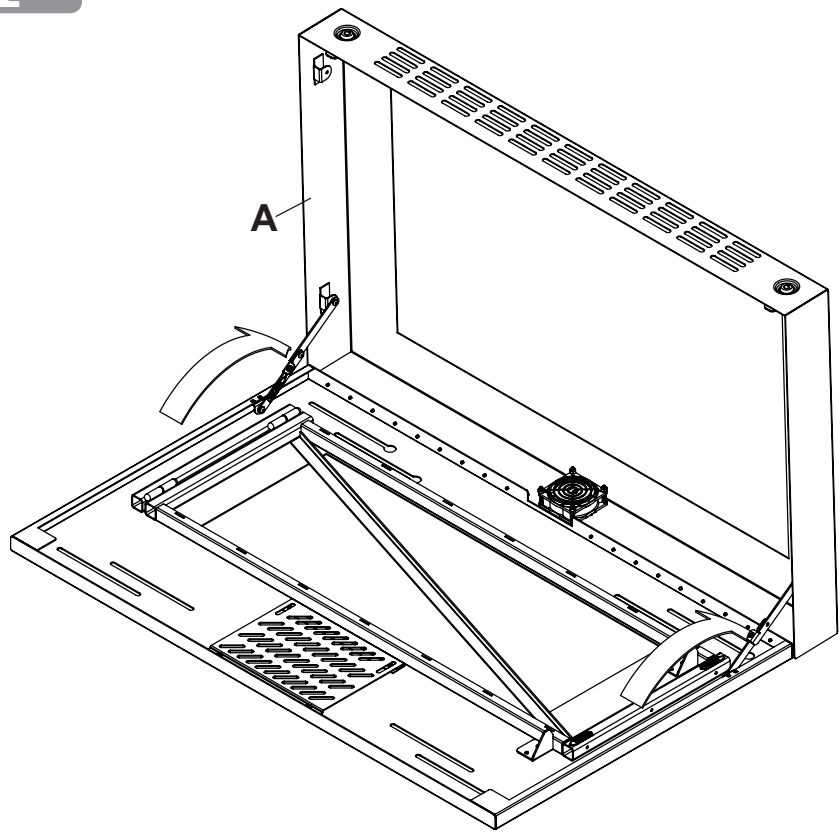


**ENG** This page intentionally left blank.

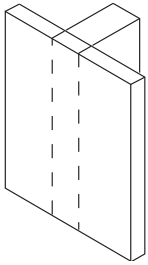
1



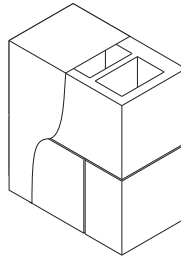
2



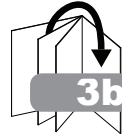
3



ENG Wood stud wall.



ENG Concrete/Cinder block.

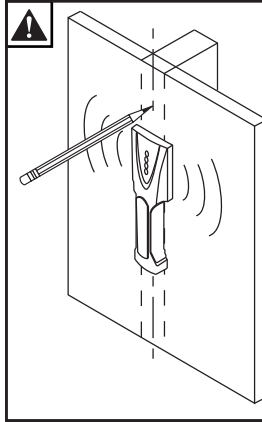
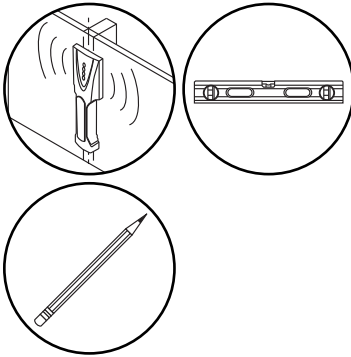


3a

### ⚠ WARNING

ENG - When installing Peerless wall mounts on a wood stud wall covered with gypsum board (drywall), verify that the wood studs are a minimum of 2" x 4" nominal size. Do not install over gypsum board thicker than 5/8".

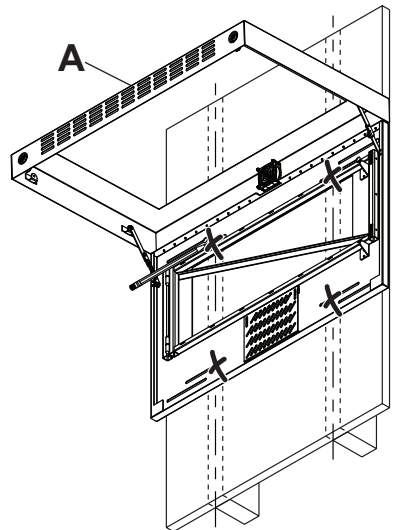
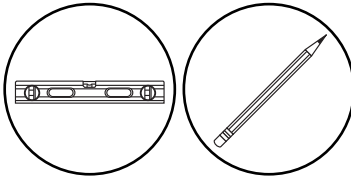
3a-1



ENG Use stud finder to locate and mark stud center lines.

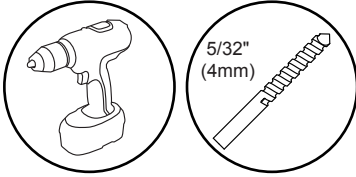
3a-2

ENG Level wallplate. Mark mounting holes on stud center lines.

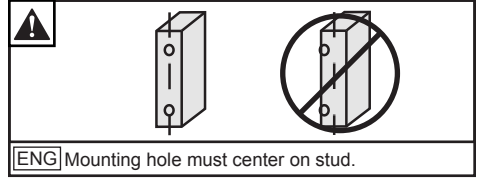
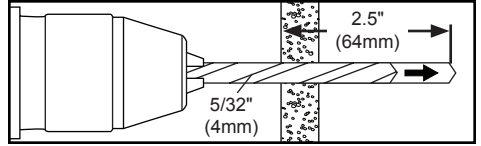




### 3a-3



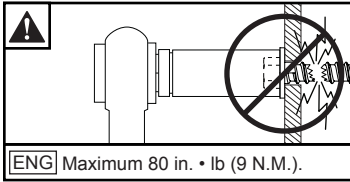
**ENG** Drill mounting holes into supporting surface (2.5" (64 mm) minimum depth required).



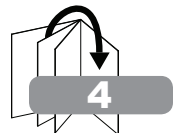
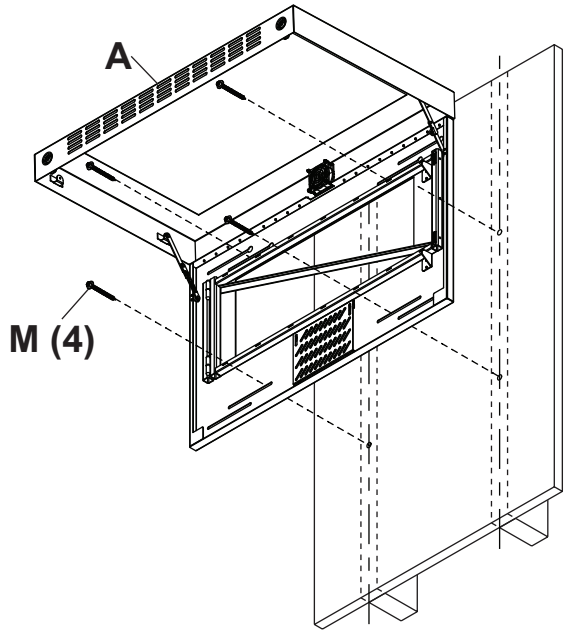
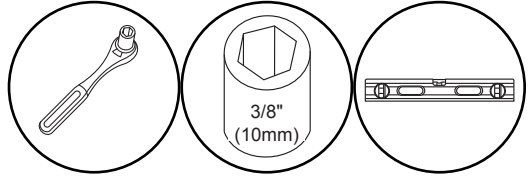
**ENG** Mounting hole must center on stud.

### 3a-4

**ENG** Level wallplate. Install using wood screws provided.



**ENG** Maximum 80 in. • lb (9 N.M.).

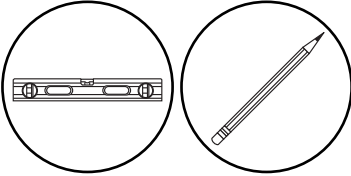


### 3b

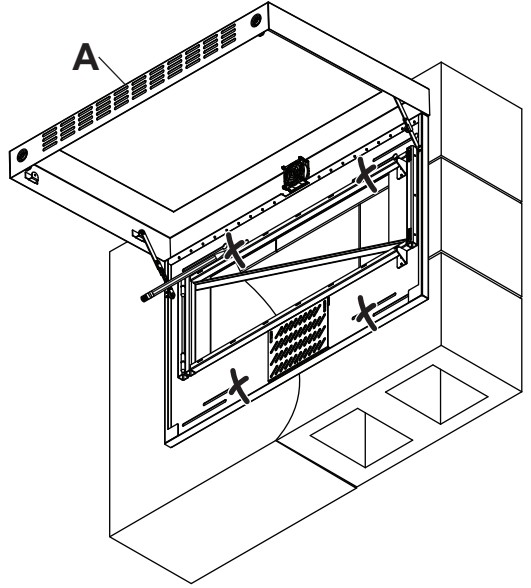
#### ▲ WARNING

ENG - When installing Peerless wall mounts on a concrete wall, the wall must be at least 8" thick with a minimum compressive strength of 2000 psi. When installing Peerless wall mounts on a cinder block wall, the cinder blocks must meet ASTM C-90 specifications and have a minimum nominal width of 8". Do not drill into mortar joints! Be sure to mount in a solid part of the block, generally 1" (25 mm) minimum from the side of the block. It is suggested that a standard electric drill on slow setting is used to drill the hole instead of a hammer drill to avoid breaking out the back of the hole when entering a void or cavity. Never attach concrete expansion anchors to concrete or cinder block covered with plaster, drywall or other finishing material.

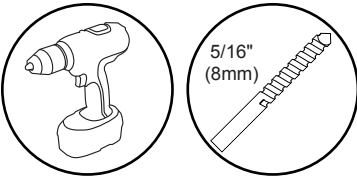
#### 3b-1



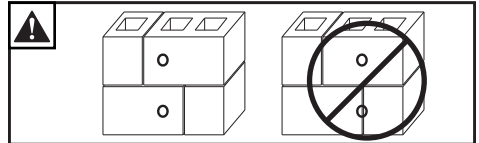
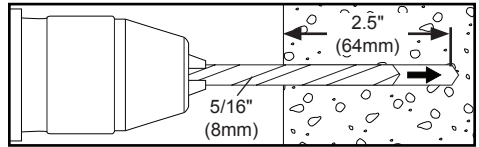
ENG Level wallplate. Mark mounting holes.



#### 3b-2

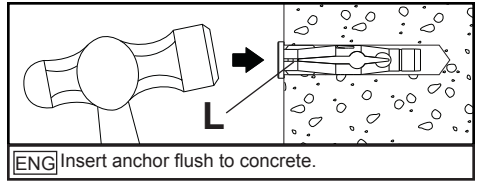
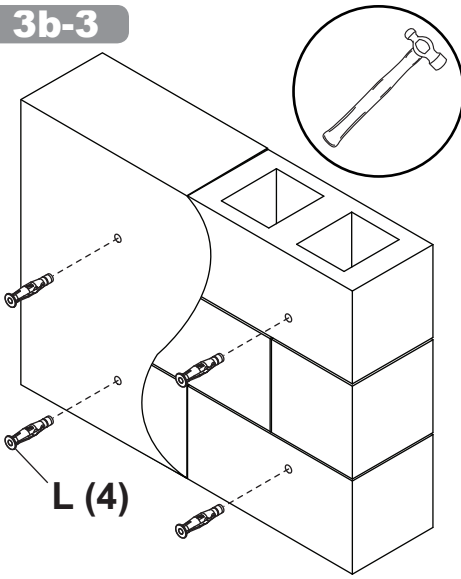


ENG Drill mounting holes into supporting surface (2.5" (64 mm) minimum depth required).

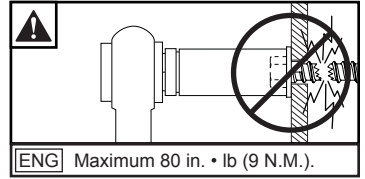
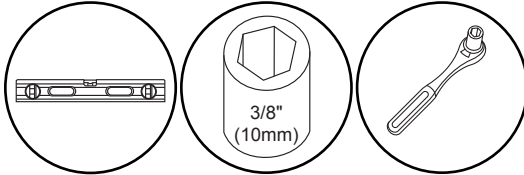


ENG Do not drill into mortar joints.

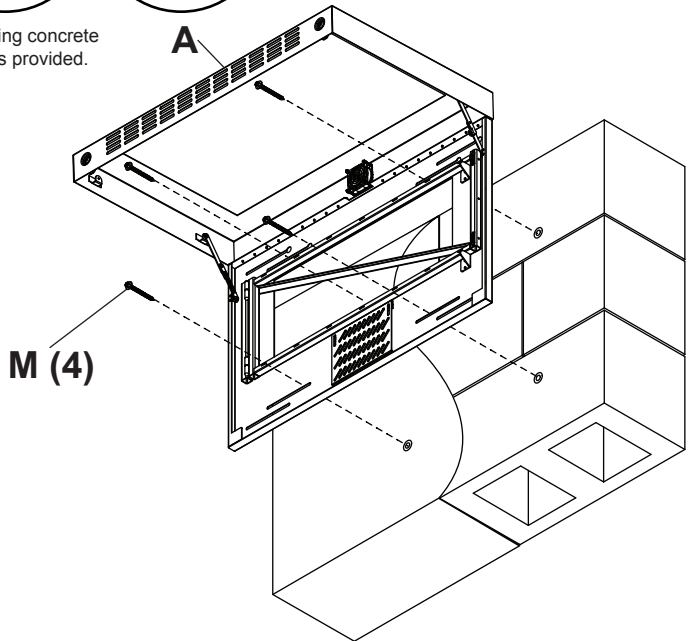
### 3b-3



### 3b-4

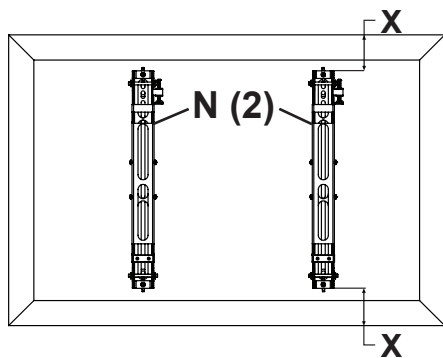


ENG Level wallplate. Install using concrete anchors and wood screws provided.



# 4

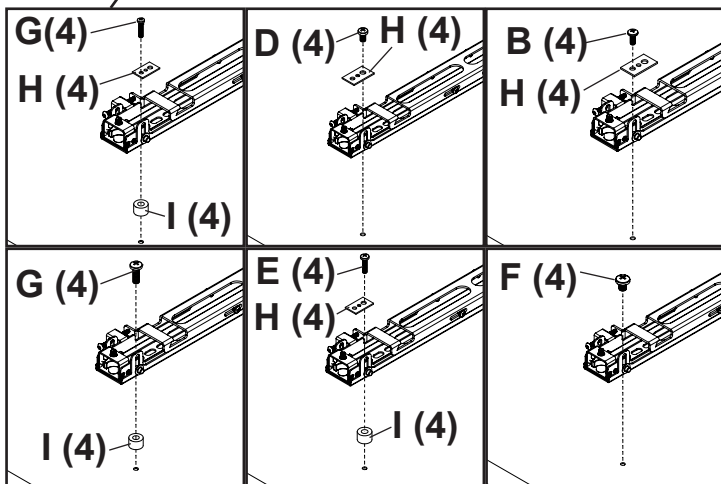
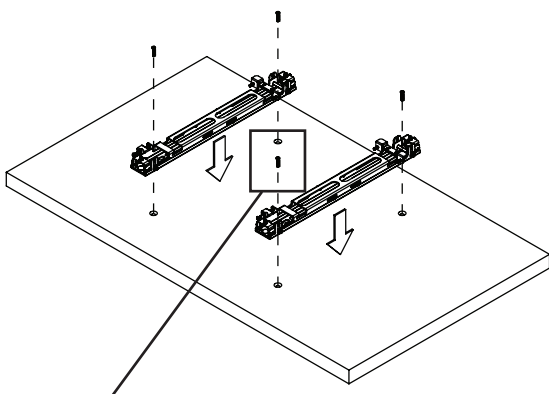
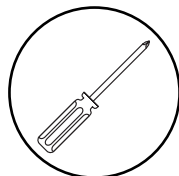
**ENG** Center adapter brackets vertically on back of screen.



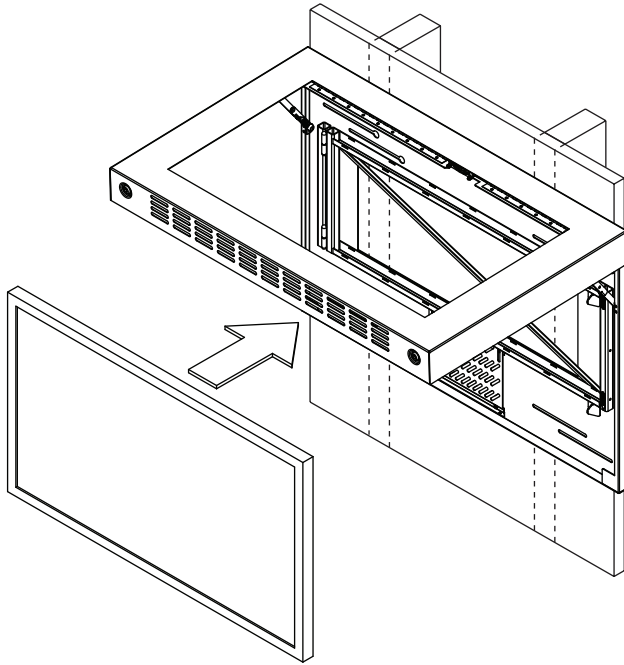
# 5



**ENG** Use of spacers is optional.

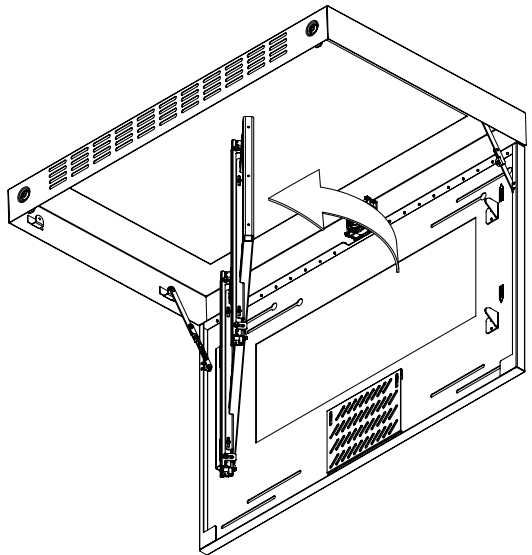


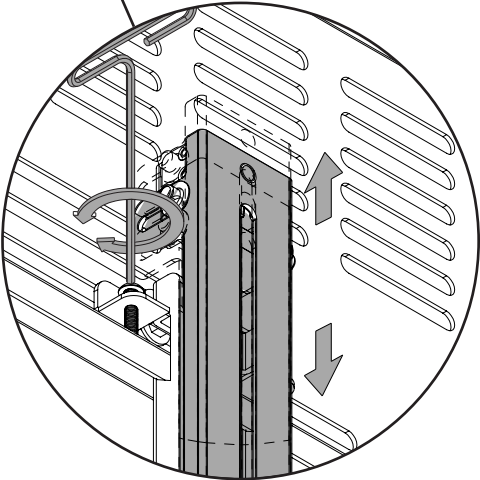
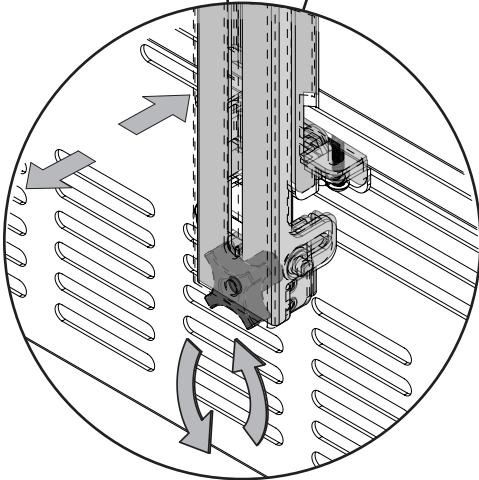
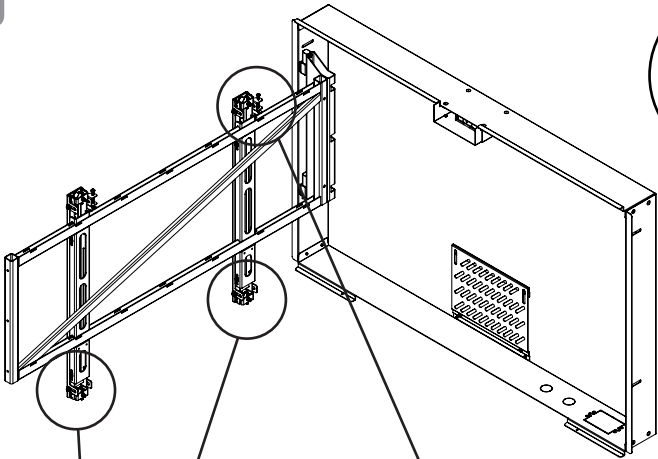
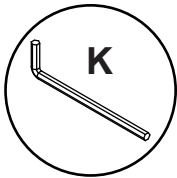
6



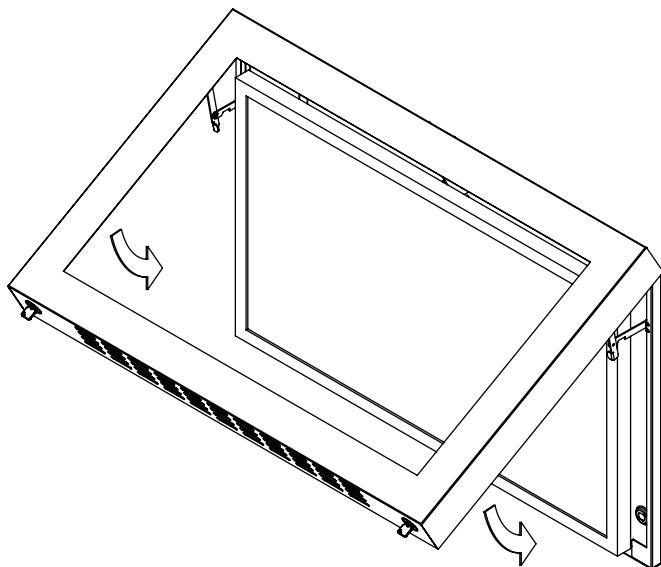
7

**ENG** Note: Mounting Arm swings out to access adapter brackets and behind display

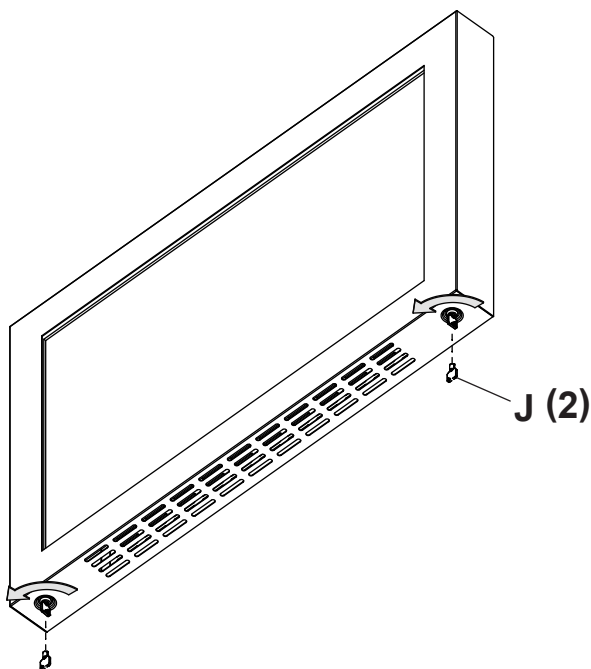




9



10



## LIMITED FIVE-YEAR WARRANTY

Peerless Industries, Inc. ("Peerless-AV") warrants to original end-users that each Peerless-AV® mounting product will be free from defects in material and workmanship, under normal use, for the applicable warranty period (from date of the original installation of the product). At its option, Peerless-AV will repair or replace, or refund the purchase price of, any product which fails to conform with this warranty.

**Any implied warranty of merchantability or fitness for a particular purpose shall be limited to the period of the express warranty set forth below.**

**In no event shall Peerless-AV be liable for incidental or consequential damages, whether or not secured by a security device which may be included with the product.**

Some states do not allow limitations on how long an implied warranty lasts, or the exclusion of incidental or consequential damages, so the above limitation and/or the above exclusion may not apply to you.

This warranty does not cover damage caused by incorrect selection, installation or the failure to follow Peerless-AV instructions or warnings when installing, using or storing the product.

This warranty gives specific legal rights, and you may also have other rights which vary from state to state. To make a warranty claim in North America, contact Peerless-AV customer care at 1-800-865-2112. See complete global warranty information for regions outside North America at [www.peerless-av.com/en-uk/customer-care/warranties-returns](http://www.peerless-av.com/en-uk/customer-care/warranties-returns).

The logo for Peerless-AV features the word "peerless" in a bold, lowercase, red sans-serif font. To its right, the letters "AV" are rendered in a red outline font, with a registered trademark symbol (®) to the upper right of the "V".

**Peerless-AV**  
2300 White Oak Circle  
Aurora, IL 60502  
Email: [tech@peerlessmounts.com](mailto:tech@peerlessmounts.com)  
Ph: (800) 865-2112  
Fax: (800) 359-6500  
[www.peerless-av.com](http://www.peerless-av.com)

**Peerless-AV Europe**  
Unit 3 Watford Interchange,  
Colonial Way, Watford, Herts,  
WD24 4WP, United Kingdom  
Customer Care  
44 (0) 1923 200 100  
[www.peerless-av.com](http://www.peerless-av.com)

**Peerless-AV de Mexico**  
Ave de las Industrias 413  
Parque Industrial Escobedo  
Escobedo N.L. Mexico 66062  
Servicio al Cliente  
01-800-849-65-77  
[www.peerless-av.com](http://www.peerless-av.com)