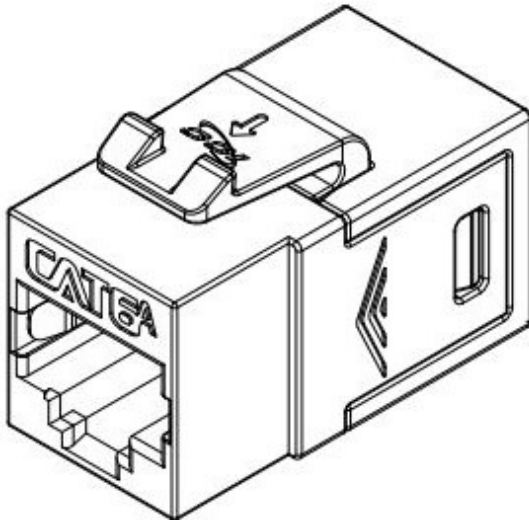


8P8C Category 6A Coupler Module 10 pack

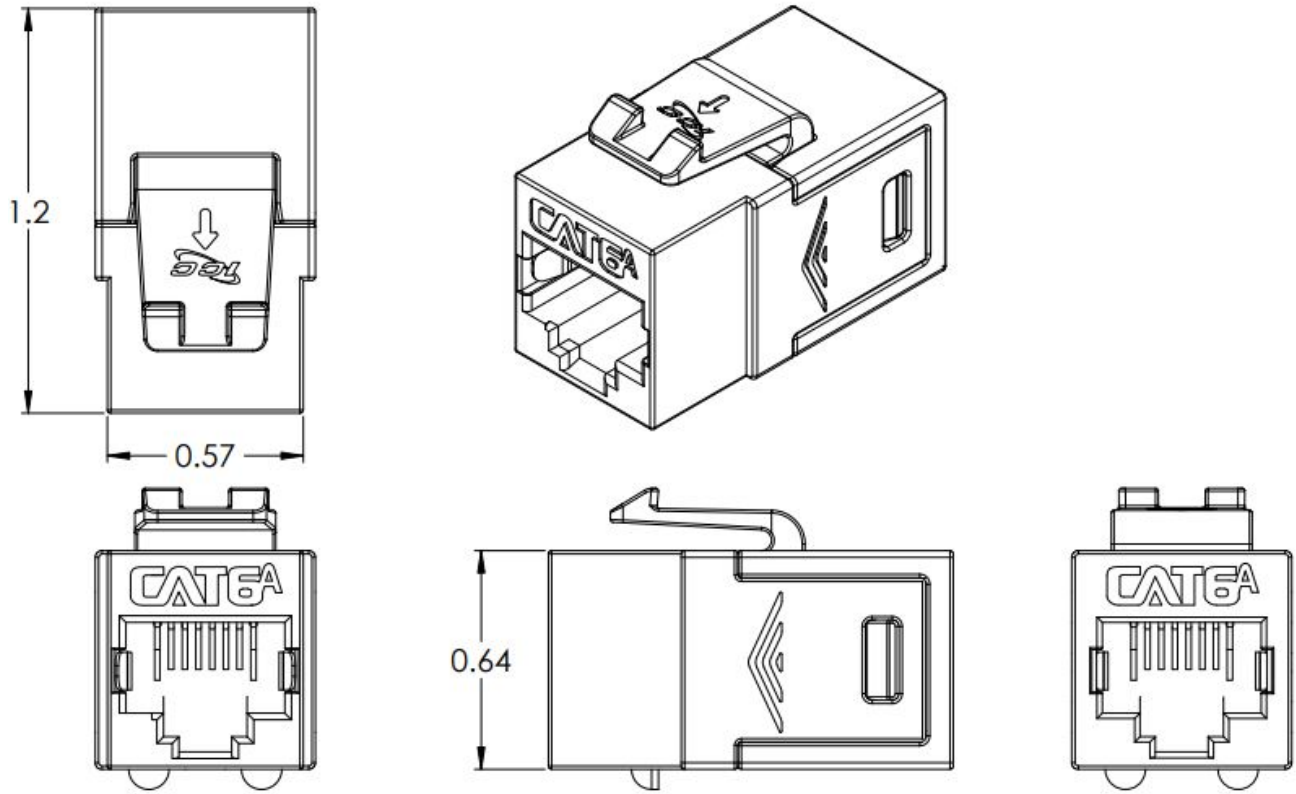
Package Include:

A. 8P8C Category 6A Coupler Module, **10 Pieces**



Features and Benefits

- PCB technology provides maximum performance and superior signal quality
- Enhanced crosstalk cancellation reduces return loss and improves performance by rejecting noise and unwanted signals
- Reduced rear footprint allows for greater connectivity density and provides for more port configurations in a smaller area
- Backwards compatible to all lower rated category components
- Compatible with all IC107 faceplates, inserts, surface mount boxes, and blank patch panels
- Compatible with all IC108 furniture faceplates, bezels, and surface mount boxes
- Used with ICC Category 6A ICPCSG and ICPCSX patch cords
- Available in black and white
- ANSI/TIA-568.2-D and UL1863 compliant
- Country Of Origin: Taiwan
- TAA Compliant



NOTE: UNLESS OTHERWISE SPECIFIED

1. CAT 6A Module:

A. Electrical:

- Current Rating: 1.5 AMPS
- Voltage Rating: 150 Volts AC
- Dielectric Withstanding Voltage: 1000 Volts RMS, 60 HZ
- Insulation Resistance :> 10 MOHMS

B. Mechanical:

- Mating Force: 5 lbs. Max
- Unmating Force: 5 lbs. Max
- Plug Retention in Jack: 20 lbs. Min
- Durability: 750 Cycles

C. Material & Finish:

- Housing: ABS UL 94V-0
- Contact: Phosphor Bronze Alloy Plated with 50 µin of Gold
over 70~100 µin of Nickel
- Gold Plating: 1.27 Micron/ 50 Micro inch Min

D. Colors: BK-Black

